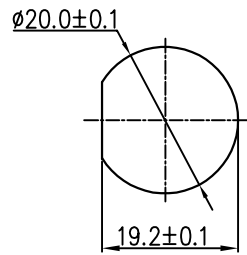
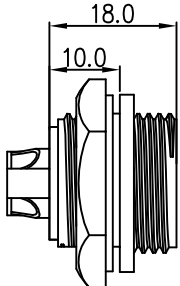


THIS INFORMATION IS CONFIDENTIAL AND IS DISCLOSED TO YOU ON CONDITION THAT NO FURTHER DISCLOSURE IS MADE BY YOU TO OTHER THAN CHOGORI PERSONNEL WITHOUT AUTHORIZATION FROM CHOGORI CORP.

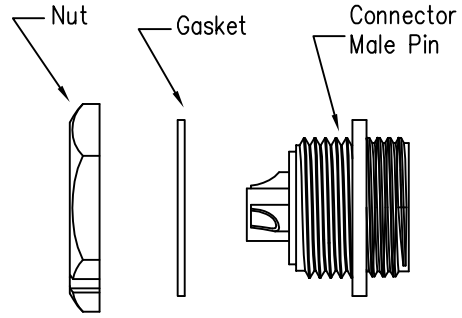
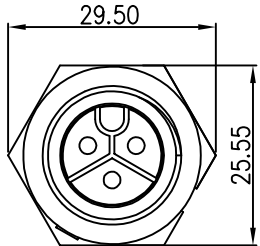
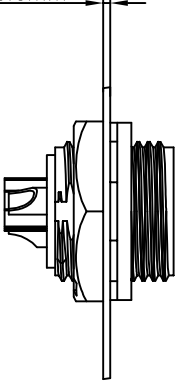
REV.	ECN NO.	DESCRIPTION	SIGN	DATE
C1	N/A	INITIAL DRAWING	Liu	2020/05/16



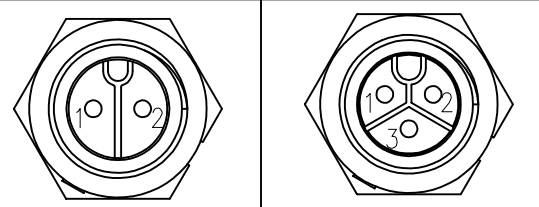
Recommended Panel Cut-Out



Panel T: Max 3.5mm



23XXX515-03
Pin Number



2 Pin

3 Pin

P/N: 23002515-03

P/N: 23003515-03

Pin Assignments Front View

Specification:

- 1.Operation Temperature: -45°C~105°C.
- 2.Insulation Resistance: 100MΩ at DC500V.
- 3.Contact Resistance: <math>< 10\text{m}\Omega</math>
- 4.Withstand Voltage: 2000V AC
- 5.Operating Current: 20A
- 6.Operating Voltage: AC 300V
- 7.Waterproof Rate: IP67 (Mated)
- 8.Housing: Nylon, Black
- 9.Male Pin: Copper Alloy, Gold Plated
- 10.Gasket: Silicon Gray
- 11.Panel Nut: Nylon, Black
- 12.Torque Rate: 0.8~1.0N · m
- 13.RoHS Compliant.
- 14.UL Compliant.
- 15.Mating Cap P/N: 806-00021-00



UNIT:mm TOLERANCE .X ±0.25 .XX ±0.15 .XXX ±0.05 ANGLES ±1°	DESCRIPTION Middle Series Screw Type Rear Mount With Male Pin		PART NO 23XXX515-03	DRAWN BY Liu	DATE 2020/05/16			
	SCALE: 1:1	SHEET 1 OF 1				DWG NO	CHECKED BY Mo	DATE 2020/05/16
	REV. C1	SIZE A4				* : Inspection Item	APPROVED BY Adley	DATE 2020/05/16