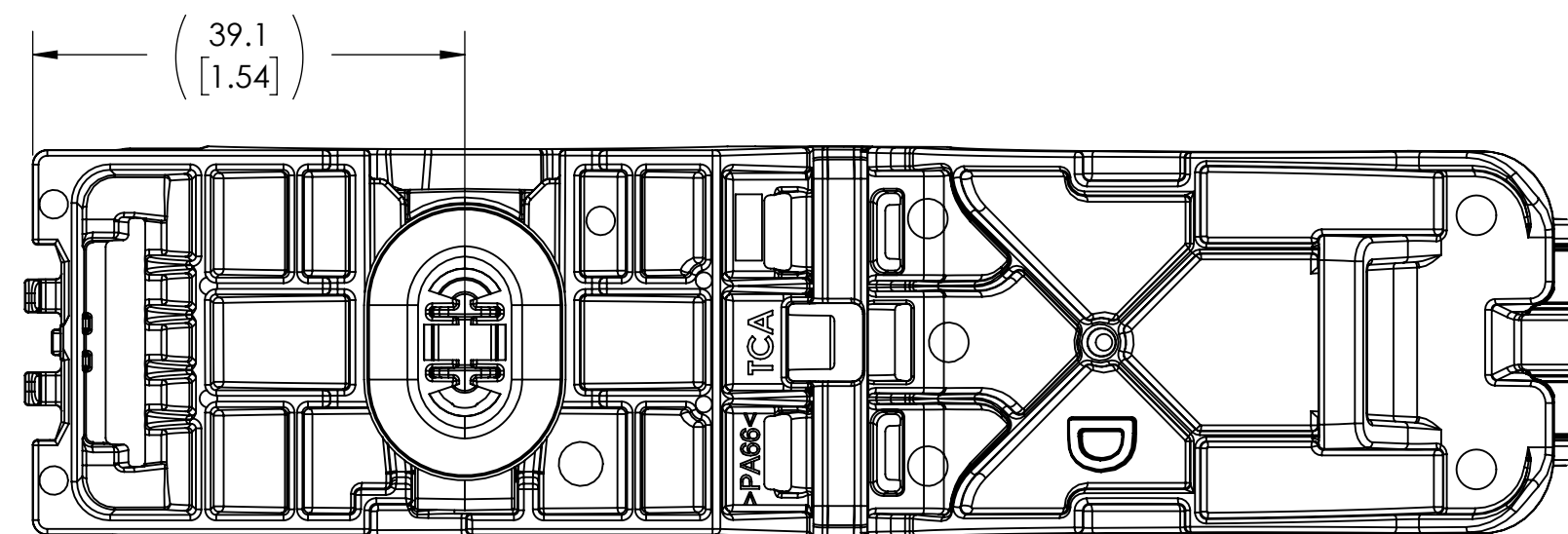
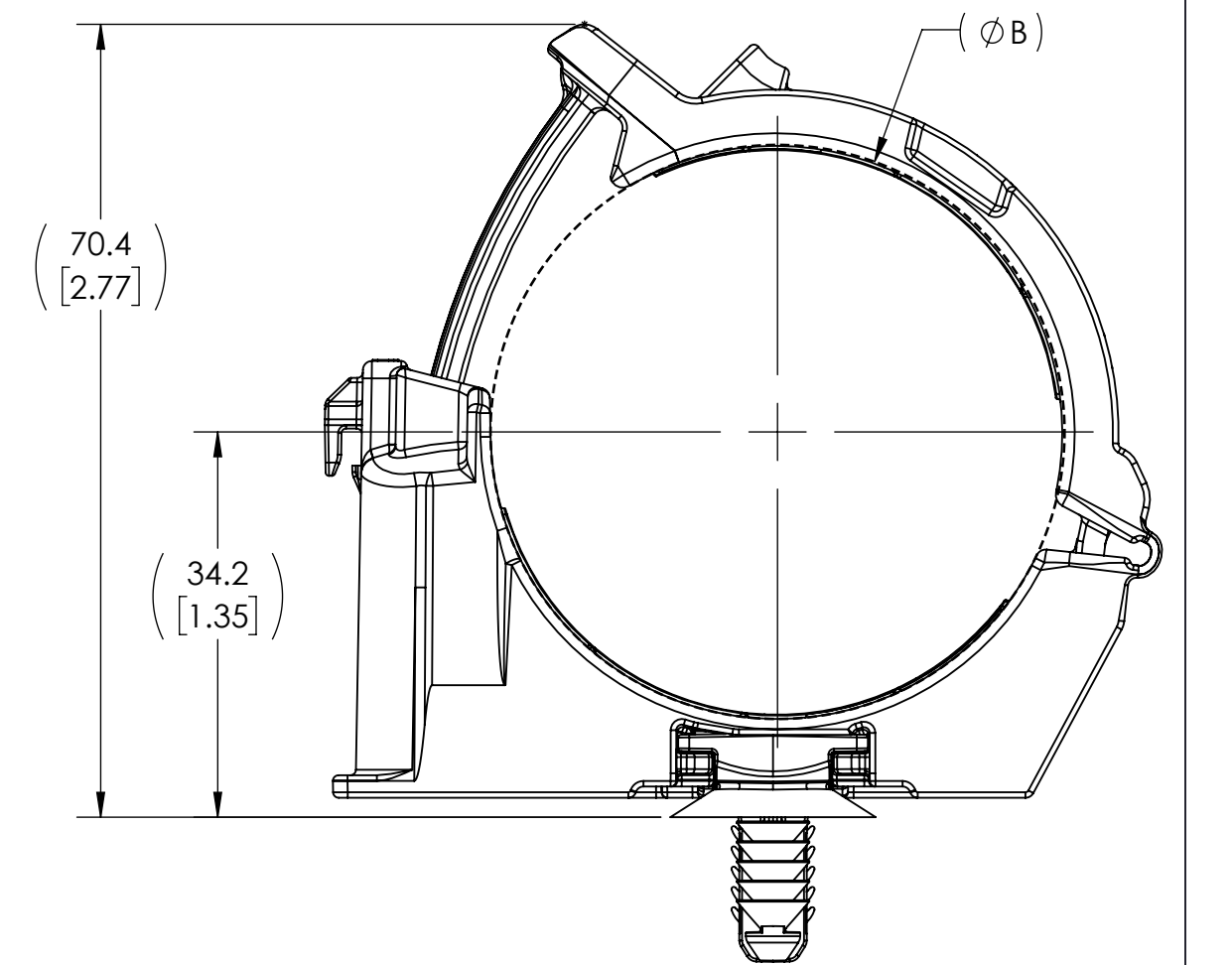
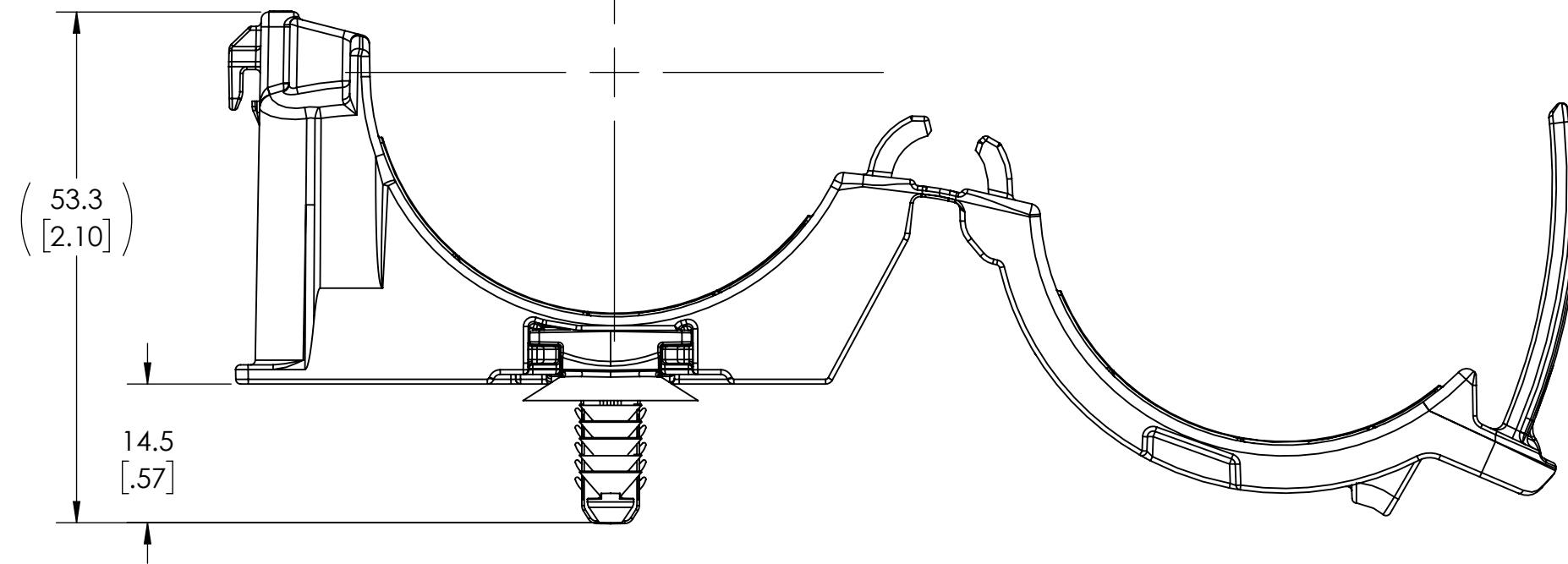
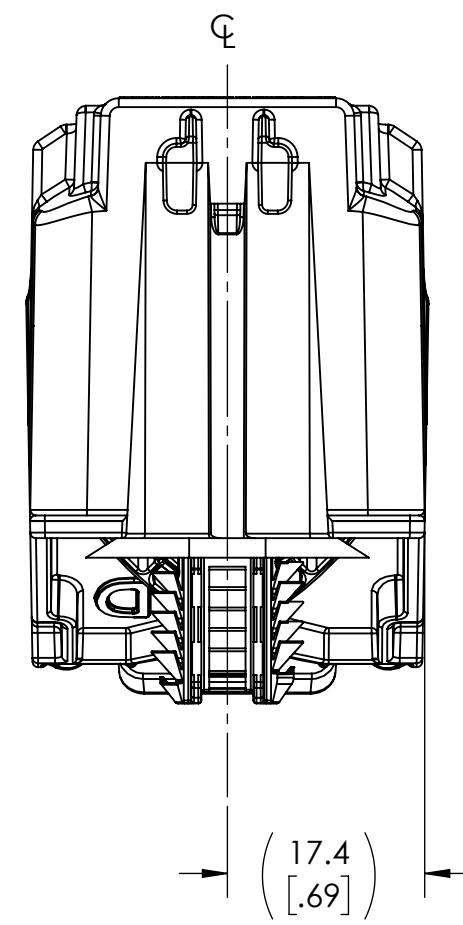
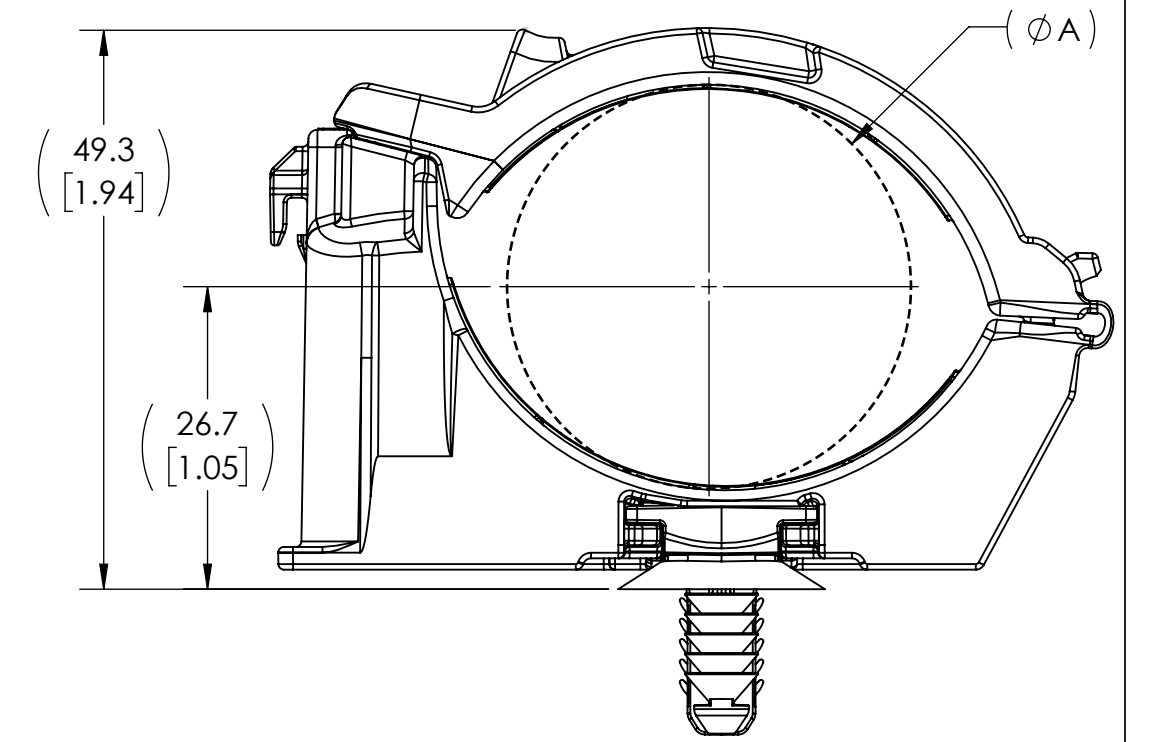
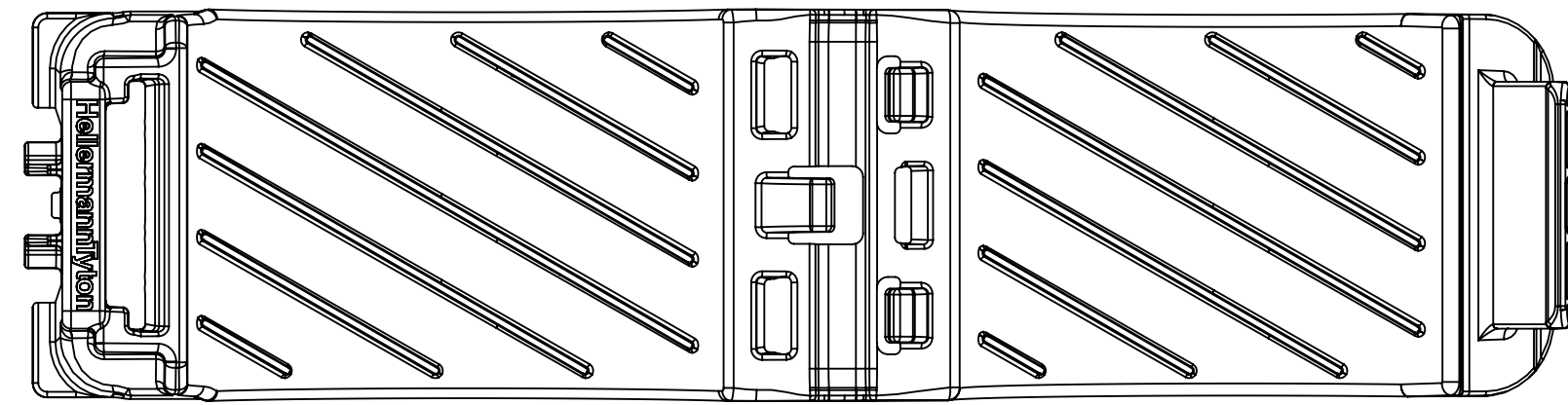
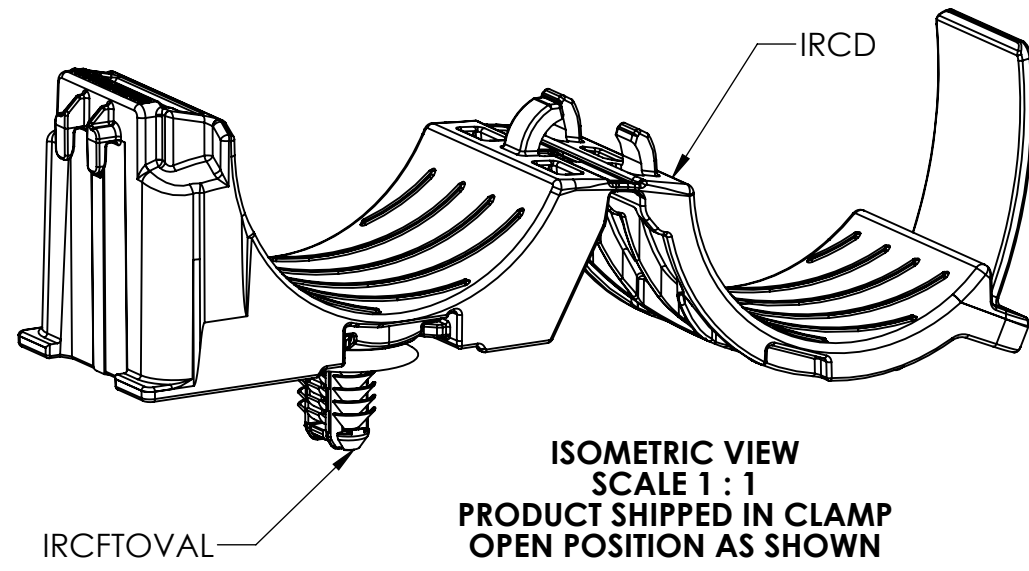



Revision level			Revision Record	Changed	Date	Approved	Date
Drawing	State	Part					
00.0	Design Release		SEE ECN# 015255	MHT	06/28/2019	CTF	06/28/2019



REFERENCE:

- SHEET METAL THICKNESS RANGE: 0.60mm - 6.75mm
- APPLICABLE HOLE SIZE:
 - A. 6.2 X 12.2mm +/-0.2
 - B. 6.5 X 12.5mm +0.2/-0.4
 - C. 6.5 X 13.0mm +/-0.2
 - D. 7.0 X 12.0mm +/-0.2

GLOBAL PART DESCRIPTION	BUNDLE TYPES	(A) MINIMUM DIAMETER	(B) MAXIMUM DIAMETER	IRCD CLAMP			IRCFTOVAL CONNECTOR CLIP		
				DRAWING	MATERIAL	COLOR	DRAWING	MATERIAL	COLOR
IRCDFTOVAL-PA66HIRHSUV-BK	SOFT	36.0 [1.42]	51.0 [2.00]	16-1642-004-CSU	PA66HIRHSUV	BLACK	16-1645-041-CSU	PA66HIRHSUV	BLACK
	HARD	35.2 [1.39]	49.9 [1.96]						

Notes	Material SEE CHART	Units: millimeters Dimension without tolerances details to: .xxx = ±.013 .xx = ±.13 .x = ±.3 None = ±.8 ∠ = ±0.5*	The copyright of this drawing is reserved by HellermannTyton. It is issued on condition that it is not reproduced, copied, or disclosed to a third party, either wholly or in part, without the consent of HellermannTyton.	Drawn	MHT	06/24/2019	Article/Type-No IRCDFTOVAL	Scale 3:2	
				Approved	CTF	06/24/2019			Title INLINE RATCHET P-CLAMP D WITH 7X12mm FIR TREE (FTOVAL)
				 <p>North America Email: corp@htamericas.com Web: www.hellermann.tyton.com</p>			Drawing-No 19-0335-104-CSU	Production : Phase Format C	Sheet 1/1