

Flat gasket - HC-B24-SG-CBK - 1411486

Please be informed that the data shown in this PDF Document is generated from our Online Catalog. Please find the complete data in the user's documentation. Our General Terms of Use for Downloads are valid (<http://phoenixcontact.com/download>)

Replacement flat gasket, for HEAVYCON panel mounting base, HC-STA...AL, type B24, conductive



COMPLIANT

Key Commercial Data

Packing unit	10 pc
GTIN	
GTIN	4046356932868

Technical data

Dimensions

Length	140.5 mm
Width	53 mm
Height	2 mm

Ambient conditions

Ambient temperature (operation)	-40 °C ... 125 °C
---------------------------------	-------------------

General

Material	NBR, conductive
Color	black

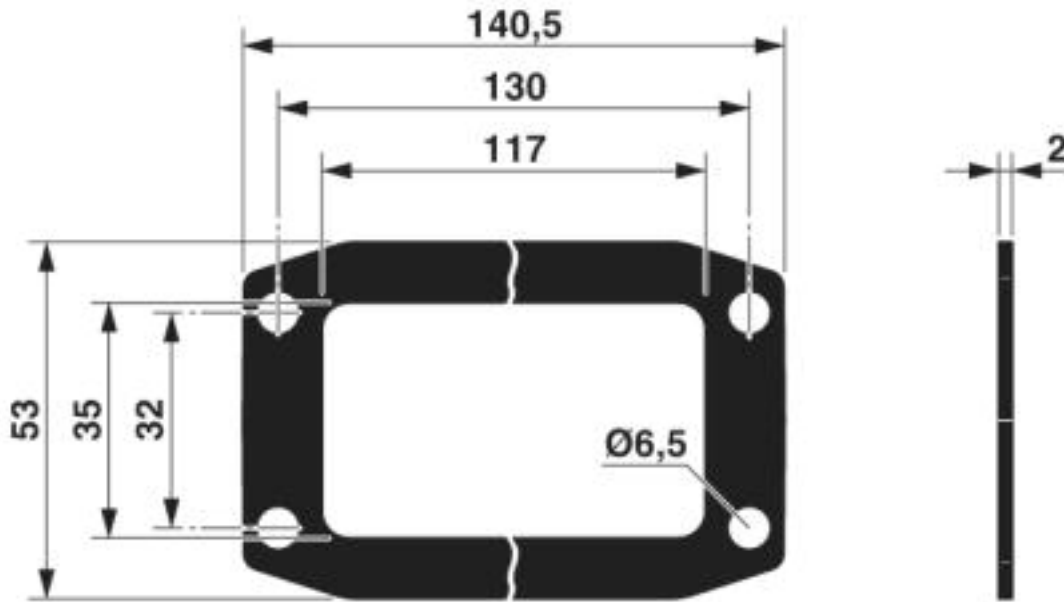
Environmental Product Compliance

China RoHS	Environmentally Friendly Use Period = 50
	For details about hazardous substances go to tab "Downloads", Category "Manufacturer's declaration"

Drawings

Flat gasket - HC-B24-SG-CBK - 1411486

Dimensional drawing



Dimensional drawing

Approvals

Approvals

Approvals

EAC

Ex Approvals

Approval details

EAC

RU C-
DE.AI30.B.01102

Phoenix Contact 2019 © - all rights reserved
<http://www.phoenixcontact.com>

PHOENIX CONTACT GmbH & Co. KG
Flachmarktstr. 8
32825 Blomberg
Germany
Tel. +49 5235 300
Fax +49 5235 3 41200
<http://www.phoenixcontact.com>