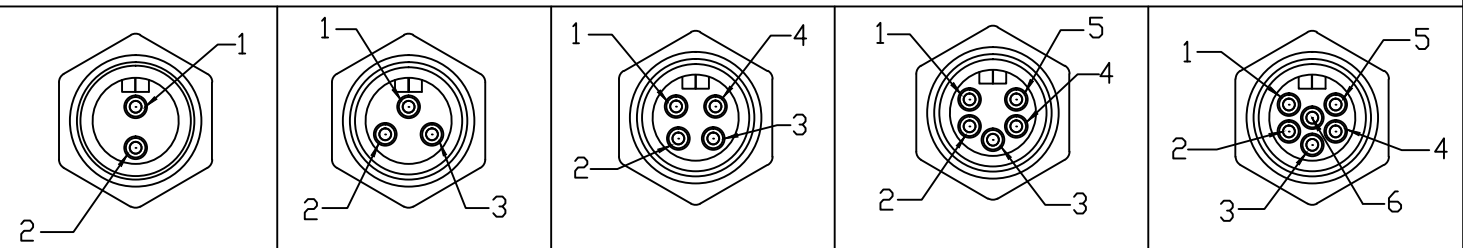


FACE VIEW - MALE INSERT



- 1 WHITE
2 BLACK
- 1 GREEN/YELLOW
2 BLACK
3 WHITE
- 1 BLACK
2 WHITE
3 RED
4 GREEN/YELLOW
- 1 WHITE
2 RED
3 GREEN/YELLOW
4 ORANGE
5 BLACK
6 BLACK
- 1 WHITE
2 RED
3 GREEN/YELLOW
4 ORANGE
5 BLACK
6 BLUE

PART NUMBER LEGEND

1R3006A20F020

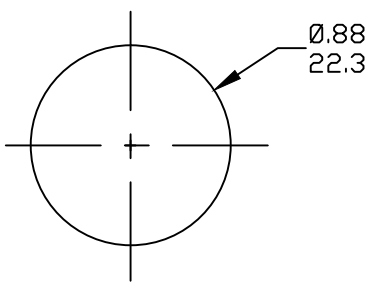
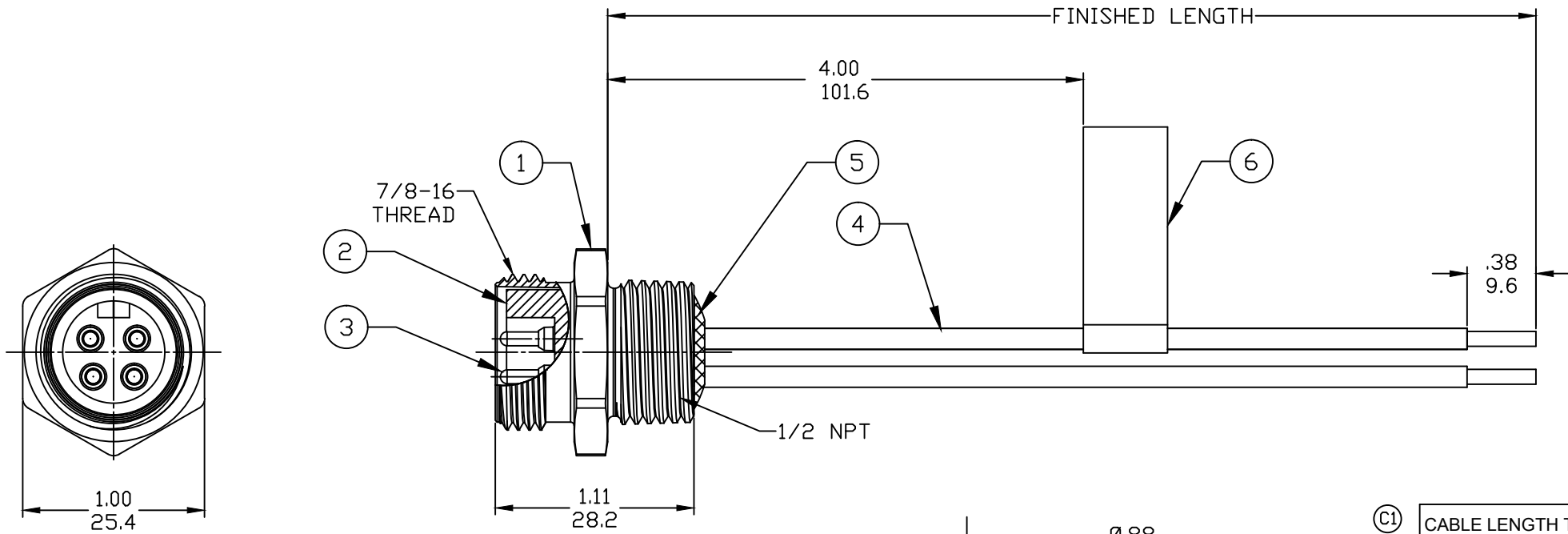
POLES 2-6

FINISHED LENGTH:
A120= 12 IN.
F020= 2 FEET
F100= 10 FEET

M005= 0.5 METER
M010= 1 METER
M100= 10 METER

PART NO.	ENGINEERING NO.	FINISHED LENGTH
1300130076	1R2006A20A120	12 IN
1300130223	1R3006A20M010	1.0M
1300130224	1R3006A20M020	2.0M

- NOTES:
- MATERIAL: AS NOTED
 - FINISH: AS NOTED
 - ELECTRICAL:
VOLTAGE: 2 THRU 6P 600V PER UL 2238
3P 500V PER IEC 60664
4P 483V PER IEC 60664 (C1)
5 & 6P 400V PER IEC 60664
CURRENT: 2 & 3 POLE: 13A
4 POLE: 10A
5 & 6 POLE: 8A
 - TEMP RATING: -20°TO +105°C
 - PROTECTION: IP67 (WHEN MATED)
 - (C1) 6. UL LISTED, FILE: E258922 FOR 3 & 4 POLE
UL RECOGNIZED, FILE: E152210 FOR 2, 5, & 6 POLE
 - ALL DIMS ARE FOR REFERENCE UNLESS OTHERWISE NOTED



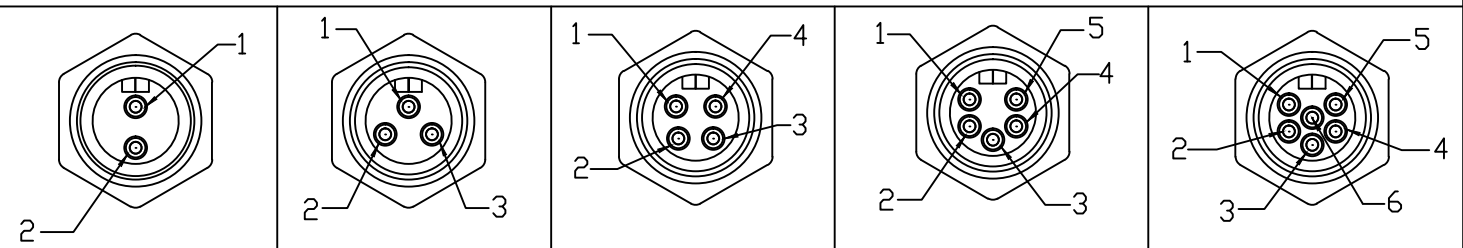
(C1) CABLE LENGTH TOLERANCES

>.3M [1FT]:	+19mm-0 [+1.75in-0]
.3 - .9M [1 - 3FT]:	+44.5mm-0 [+1.75in-0]
.9 - 1.8M [3 - 6FT]:	+55.6mm-0 [+2.19in-0]
1.8 - 3.7M [6 - 12FT]:	+88.9mm-0 [+3.50in-0]
3.7 - 7.3M [12 - 24FT]:	+165.1mm-0 [+6.50in-0]
7.3-14.6M [24 - 48FT]:	+317.5mm-0 [+12.50in-0]
14.6 - 30.5M [48-100FT]:	+622.3mm-0 [+24.50in-0]
OVER 30M [100FT]	+2% OF FINISHED LENGTH

ITEM	COMPONENT	MATERIAL	FINISH
6	LABEL	VINYL	BLACK/YELLOW
5	POTTING	EPOXY	
4	WIRE, 16 AWG, UL 1015	PVC INSUL.	SEE FACE VIEW
3	CONTACT PIN	Cu ALLOY	GOLD PLATED
2	INSERT	PVC	YELLOW
1	RECEPTACLE SHELL	ZINC DIE-CAST	BLACK E-COAT

REV EC NO: IPG2017-0940 DRWN: RSTONE CHKD: K COX APPR: BWOODMAN 4/10/17 2017/04/28 2016/08/19	DESCRIPTION KNOCKOUT HOLES	DIMENSION STYLE UNLESS SPECIFIED IN/MM	SCALE ---	DESIGN UNITS INCH	THIRD ANGLE PROJECTION	
		DIMENSION STYLE IN/MM	DRAWN BY RSTONE	DATE 2016/08/01		TITLE MINI CHANGE RECEPTACLE MALE 2 TO 6P 16 AWG
		CHECKED BY K COX	DATE 2017/04/28			
		APPROVED BY TWOLDEGE	DATE 2016/08/19	MATERIAL NO. -		DOCUMENT NO. SD-130013-120
REV C1	DRAFT WHERE APPLICABLE MUST REMAIN WITHIN DIMENSIONS	SIZE B	THIS DRAWING CONTAINS INFORMATION THAT IS PROPRIETARY TO MOLEX INCORPORATED AND SHOULD NOT BE USED WITHOUT WRITTEN PERMISSION			

FACE VIEW - MALE INSERT



- 1 WHITE
2 BLACK
- 1 GREEN/YELLOW
2 BLACK
3 WHITE
- 1 BLACK
2 WHITE
3 RED
4 GREEN/YELLOW
- 1 WHITE
2 RED
3 GREEN/YELLOW
4 ORANGE
5 BLACK
6 BLACK
- 1 WHITE
2 RED
3 GREEN/YELLOW
4 ORANGE
5 BLACK
6 BLUE

PART NUMBER LEGEND

1R3006A20F020

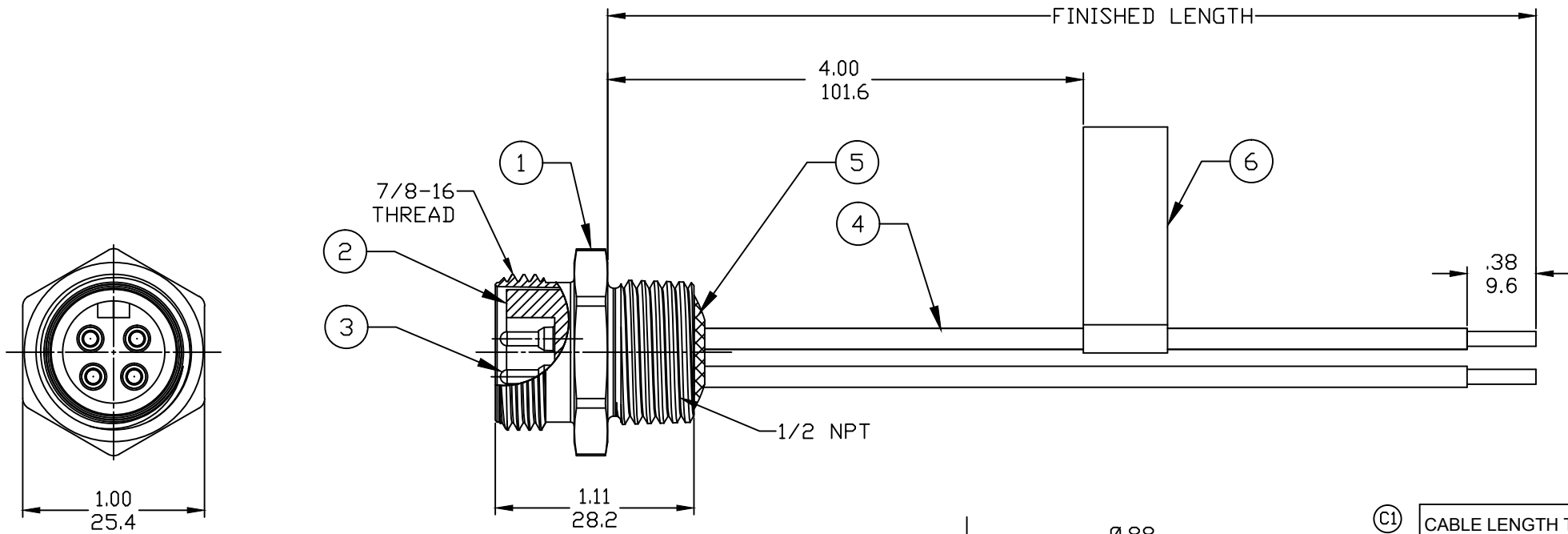
POLES 2-6

FINISHED LENGTH:
A120= 12 IN.
F020= 2 FEET
F100= 10 FEET

M005= 0.5 METER
M010= 1 METER
M100= 10 METER

PART NO.	ENGINEERING NO.	FINISHED LENGTH
1300130076	1R2006A20A120	12 IN
1300130223	1R3006A20M010	1.0M
1300130224	1R3006A20M020	2.0M

- NOTES:
- MATERIAL: AS NOTED
 - FINISH: AS NOTED
 - ELECTRICAL:
VOLTAGE: 2 THRU 6P 600V PER UL 2238
3P 500V PER IEC 60664
4P 483V PER IEC 60664 (C1)
5 & 6P 400V PER IEC 60664
CURRENT: 2 & 3 POLE: 13A
4 POLE: 10A
5 & 6 POLE: 8A
 - TEMP RATING: -20°TO +105°C
 - PROTECTION: IP67 (WHEN MATED)
 - (C1) 6. UL LISTED, FILE: E258922 FOR 3 & 4 POLE
UL RECOGNIZED, FILE: E152210 FOR 2, 5, & 6 POLE
 - ALL DIMS ARE FOR REFERENCE UNLESS OTHERWISE NOTED



(C1) CABLE LENGTH TOLERANCES

>.3M [1FT]:	+19mm-0 [+1.75in-0]
.3 - .9M [1 - 3FT]:	+44.5mm-0 [+1.75in-0]
.9 - 1.8M [3 - 6FT]:	+55.6mm-0 [+2.19in-0]
1.8 - 3.7M [6 - 12FT]:	+88.9mm-0 [+3.50in-0]
3.7 - 7.3M [12 - 24FT]:	+165.1mm-0 [+6.50in-0]
7.3-14.6M [24 - 48FT]:	+317.5mm-0 [+12.50in-0]
14.6 - 30.5M [48-100FT]:	+622.3mm-0 [+24.50in-0]
OVER 30M [100FT]	+2% OF FINISHED LENGTH

ITEM	COMPONENT	MATERIAL	FINISH
6	LABEL	VINYL	BLACK/YELLOW
5	POTTING	EPOXY	
4	WIRE, 16 AWG, UL 1015	PVC INSUL.	SEE FACE VIEW
3	CONTACT PIN	Cu ALLOY	GOLD PLATED
2	INSERT	PVC	YELLOW
1	RECEPTACLE SHELL	ZINC DIE-CAST	BLACK E-COAT

REV EC NO: IPG2017-0940 DRWN: RSTONE CHKD: K COX APPR: BWOODMAN 4/10/17 2017/04/28 2016/08/19	DESCRIPTION KNOCKOUT HOLES	DIMENSION STYLE IN/MM	SCALE ---	DESIGN UNITS INCH	THIRD ANGLE PROJECTION
		DIMENSION TOLERANCES (UNLESS SPECIFIED)	DRAWN BY DATE RSTONE 2016/08/01	TITLE MINI CHANGE RECEPTACLE MALE 2 TO 6P 16 AWG	
		SYMBOLS ▽=0 ◻=0	CHECKED BY DATE K COX 2017/04/28	MOLEX INCORPORATED	
		DRAFT WHERE APPLICABLE MUST REMAIN WITHIN DIMENSIONS	APPROVED BY DATE TWOLDEGE 2016/08/19	DOCUMENT NO. SD-130013-120	
REV C1	MATERIAL NO. -	SHEET NO. 1 OF 1	THIS DRAWING CONTAINS INFORMATION THAT IS PROPRIETARY TO MOLEX INCORPORATED AND SHOULD NOT BE USED WITHOUT WRITTEN PERMISSION		