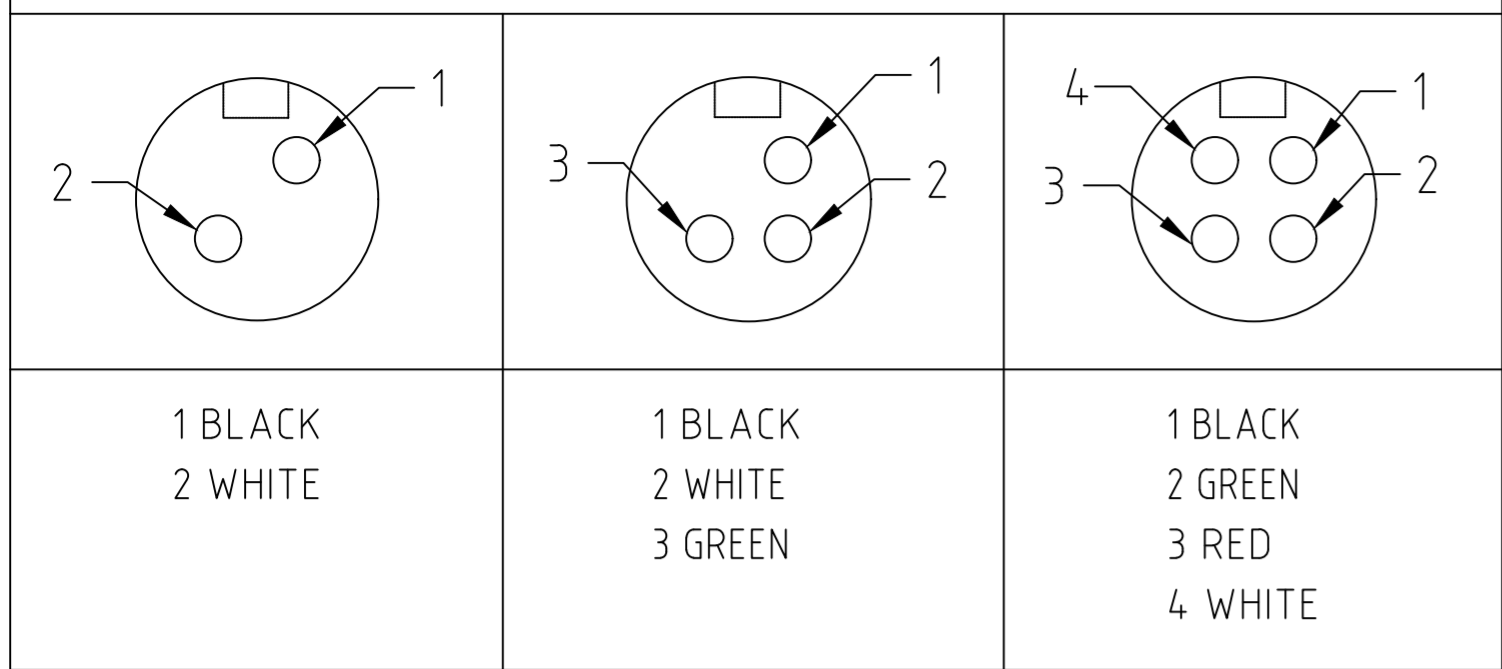


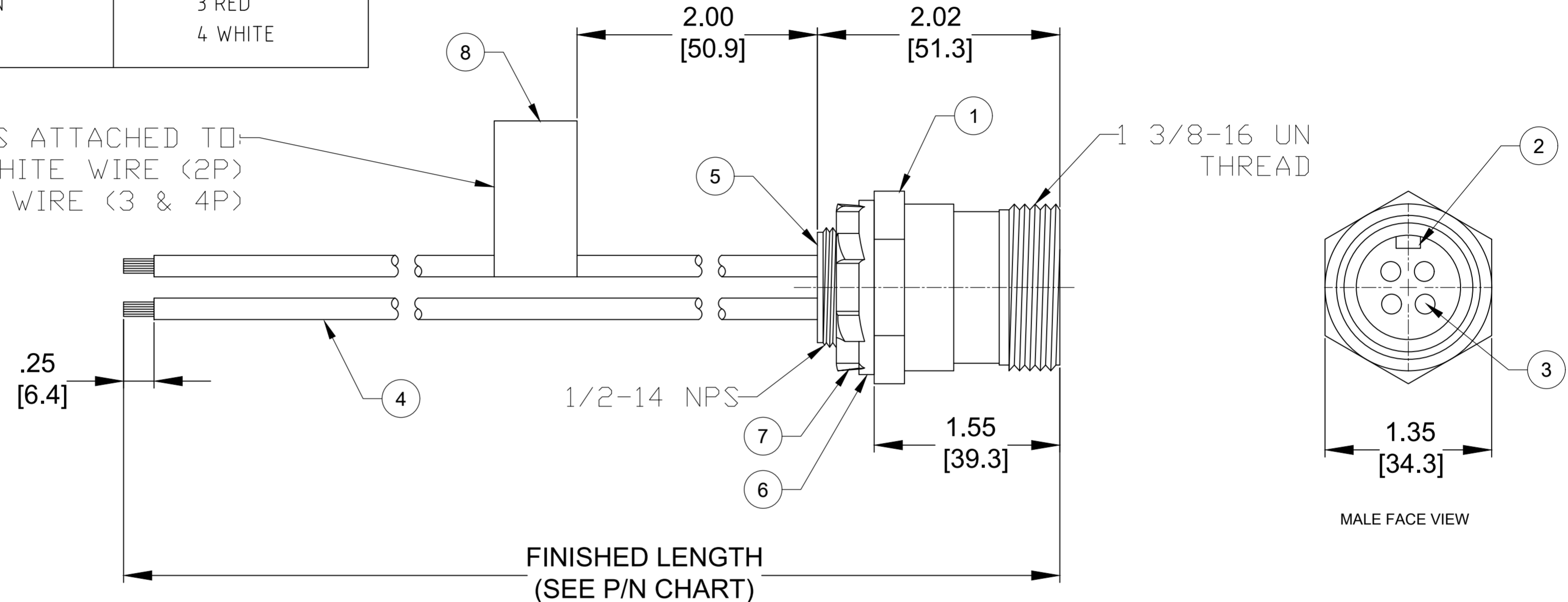
FACE VIEW-MALE INSERT



- | | | |
|--------------------|-------------------------------|--|
| 1 BLACK
2 WHITE | 1 BLACK
2 WHITE
3 GREEN | 1 BLACK
2 GREEN
3 RED
4 WHITE |
|--------------------|-------------------------------|--|

MATERIAL NO.	ENGINEERING NO.	POLES	FINISHED LENGTH
1300030015	32065	2	12IN [305mm]
1300030032	32419	3	12IN [305mm]
1300030101	6R3006A30F015	3	18IN [457mm]
1300030061	32767	4	12IN [305mm]
1300030179	6R4006A30F020	4	2.0FT [0.6M]

LABEL IS ATTACHED TO:
WHITE WIRE (2P)
GREEN WIRE (3 & 4P)



FINISHED LENGTH
(SEE P/N CHART)

- NOTES:
- MATERIAL: AS NOTED
 - FINISH: AS NOTED
 - ELECTRICAL:
VOLTAGE: 600V AC/DC
CURRENT: 2 & 3 POLE: 30A
4 POLE: 25A
 - TEMP RATING: -20°C TO +105°C
 - PROTECTION: IP67 (WHEN MATED)
 - COUPLING THREAD: AS NOTED
 - UL CERTIFIED FILE: E46237
CSA CERTIFIED FILE: LR6837
 - ALL DIMS ARE FOR REFERENCE UNLESS TOLERANCED OR NOTED OTHERWISE

PART NUMBER LEGEND

6R4006A30F020
POLES 2-4
FINISHED LENGTH:
A120= 12 INCHES
F020= 2 FOOT
F100= 10 FEET
M005= 0.5 METER
M010= 1 METER
M100= 10 METER

CABLE LENGTH TOLERANCES

>.3M [1FT]:	+19mm-0 [+0.75in-0]
.3 - .9M [1 - 3FT]:	+44.5mm-0 [+1.75in-0]
.9 - 1.8M [3 - 6FT]:	+55.6mm-0 [+2.19in-0]
1.8 - 3.7M [6 - 12FT]:	+88.9mm-0 [+3.50in-0]
3.7 - 7.3M [12 - 24FT]:	+165.1mm-0 [+6.50in-0]
7.3-14.6M [24 - 48FT]:	+317.5mm-0 [+12.50in-0]
14.6 - 30.5M [48-100FT]:	+622.3mm-0 [+24.50in-0]
OVER 30M [100FT]	+2% OF FINISHED LENGTH

ITEM	DESCRIPTION	MATERIAL	FINISH
8	WRAP LABEL	VINYL	BLACK/YELLOW
7	LOCK NUT	STEEL	ZINC PLATED
6	GASKET SEAL	NEOPRENE	BLACK
5	POTTING MATERIAL	EPOXY	
4	WIRE, 10 AWG, UL 1015	PVC INSULATION	SEE FACE VIEWS
3	CONTACT PIN	COPPER ALLOY	GOLD PLATED
2	MALE INSERT	RUBBER	YELLOW
1	RECPACLE SHELL	NYLON	BLACK

THIS DRAWING CONTAINS INFORMATION THAT IS PROPRIETARY TO MOLEX ELECTRONIC TECHNOLOGIES, LLC AND SHOULD NOT BE USED WITHOUT WRITTEN PERMISSION

SYMBOLS	DIMENSION UNITS	SCALE	CURRENT REV DESC: RELEASED
	INCH/MM	1:1	
▽ = 0	GENERAL TOLERANCES (UNLESS SPECIFIED)		EC NO: 625795
		mm	
▽ = 0	4 PLACES	±----	DRWN: RSTONE 2019/10/11
▽ = 0	3 PLACES	±----	CHK'D: MZIELINSKI 2019/10/16
▽ = 0	2 PLACES	±----	APPR: BWOODMAN 2019/10/25
▽ = 0	1 PLACE	±----	INITIAL REVISION:
▽ = 0	0 PLACES	±----	DRWN: RSTONE 2019/10/11
▽ = 0	ANGULAR TOL ± ---- °		APPR: BWOODMAN 2019/10/25
▽ = 0	DRAFT WHERE APPLICABLE MUST REMAIN WITHIN DIMENSIONS	THIRD ANGLE PROJECTION	DRAWING SERIES
		C-SIZE	130003

DOCUMENT NUMBER	DOC TYPE	DOC PART	REVISION
1300030015	PSD	000	A
MATERIAL NUMBER	CUSTOMER	SHEET NUMBER	
SEE MAT. NO. CHART	----	1 OF 1	