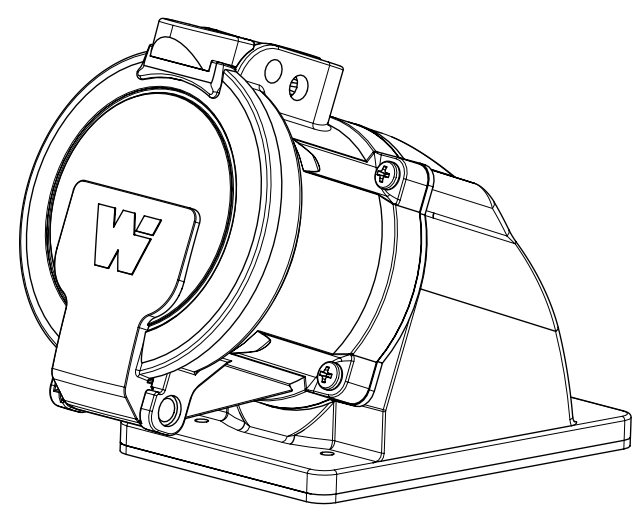


ISO VIEWS
SCALE 1:2



NOTES:

MATERIALS:
 ANGLE, HOUSINGS AND INSULATORS: GLASS FILLED PBT
 CONTACTS: COPPER ALLOY WITH A SILVER NICKEL TIP, SILVER PLATED
 MOUNTING AND INTERFACE GASKETS: SILICONE
 SELF TAPPING SCREWS (PHILLIPS) - STAINLESS STEEL, 6-32 THD
 ANGLE MOUNTING SCREWS (SLOTTED) - STAINLESS STEEL
 ANGLE GASKET - EPDM

RATINGS:
 CURRENT: 60 AMPS
 VOLTAGE AND HORSEPOWER: SEE TABLE
 AMBIENT OPERATING TEMPERATURE: -40°C (-40°F) TO 60°C (140°F)
 (WITH MAX. 30°C RISE ABOVE AMBIENT)
 ENVIRONMENTAL: NEMA TYPE 4X & IP69K
 WIRING CAPACITY: 10 AWG MIN. TO 4 AWG MAX.
 TORQUE TERMINAL SCREWS TO 1.7 Nm (15 in-lbs)
 AGENCY: UL LISTING PENDING
 SWITCH RATED RECEPTACLE/CONNECTOR
 BRANCH CIRCUIT DISCONNECT SWITCH
 MOTOR CIRCUIT DISCONNECT SWITCH IF HP RATED

RECEPTACLE/CONNECTOR AND ANGLE MOUNT ARE PACKAGED SEPARATELY.
 END USER ASSEMBLY REQUIRED PER INSTRUCTIONS INCLUDED.

MATERIAL NUMBER	ENGINEERING NUMBER	DESCRIPTION	INSULATOR KEYING POSITION	HORSEPOWER RATING
1122170043	ARC60FAA01	ARC 60A FA 125VAC 1P+N+G	7	2 HP
1122170044	ARC60FAB02	ARC 60A FA 250VAC 2P+G		3 HP
1122170045	ARC60FAB03	ARC 60A FA 250VAC 3P+G		7.5 HP
1122170046	ARC60FAAB04	ARC 60A FA 125/250VAC 2P+N+G		NA
1122170047	ARC60FAC02	ARC 60A FA 208VAC 2P+G	16	NA
1122170048	ARC60FAC03	ARC 60A FA 208VAC 3P+G		7.5 HP
1122170049	ARC60FAAC05	ARC 60A FA 120/208VAC 3P+N+G		NA
1122170050	ARC60FAD01	ARC 60A FA 277VAC 1P+N+G	4	NA
1122170051	ARC60FAE02	ARC 60A FA 480VAC 2P+G		NA
1122170052	ARC60FAE03	ARC 60A FA 480VAC 3P+G		20 HP
1122170053	ARC60FADE05	ARC 60A FA 277/480VAC 3P+N+G		NA
1122170054	ARC60FAF02	ARC 60A FA 600VAC 2P+G	14	NA
1122170055	ARC60FAF03	ARC 60A FA 600VAC 3P+G		20 HP
1122170056	ARC60FAGF05	ARC 60A FA 347/600VAC 3P+N+G		NA

THIS DRAWING CONTAINS INFORMATION THAT IS PROPRIETARY TO MOLEX ELECTRONIC TECHNOLOGIES, LLC AND SHOULD NOT BE USED WITHOUT WRITTEN PERMISSION

DIMENSION UNITS		SCALE		CURRENT REV DESC: GENERAL MARKET RELEASE	
MM/INCH		1:1			
GENERAL TOLERANCES (UNLESS SPECIFIED)					
	MM	INCH	EC NO: 674097		
4 PLACES	±	±	DRWN: MJANTELEZIO 2021/08/17		
3 PLACES	±	± 0.01	CHK'D: WLEUNG 2021/08/17		
2 PLACES	± 0.25	± 0.02	APPR: WLEUNG 2021/08/17		
1 PLACE	± 0.5	± 0.04	INITIAL REVISION:		
0 PLACES	± 1.0	±	DRWN: VBASUTHKARP 2018/08/20		
ANGULAR TOL	± 3.0 °		APPR: JFMURPHY 2020/11/17		
DRAFT WHERE APPLICABLE MUST REMAIN WITHIN DIMENSIONS		THIRD ANGLE PROJECTION		DRAWING	SERIES
				C-SIZE	112217
DOCUMENT STATUS		P1		RELEASE DATE	2021/08/17 21:15:08
DOCUMENT NUMBER		1122170052		DOC TYPE	PSD
CUSTOMER		GENERAL MARKET		DOC PART	000
SHEET NUMBER		1 OF 1		REVISION	A2