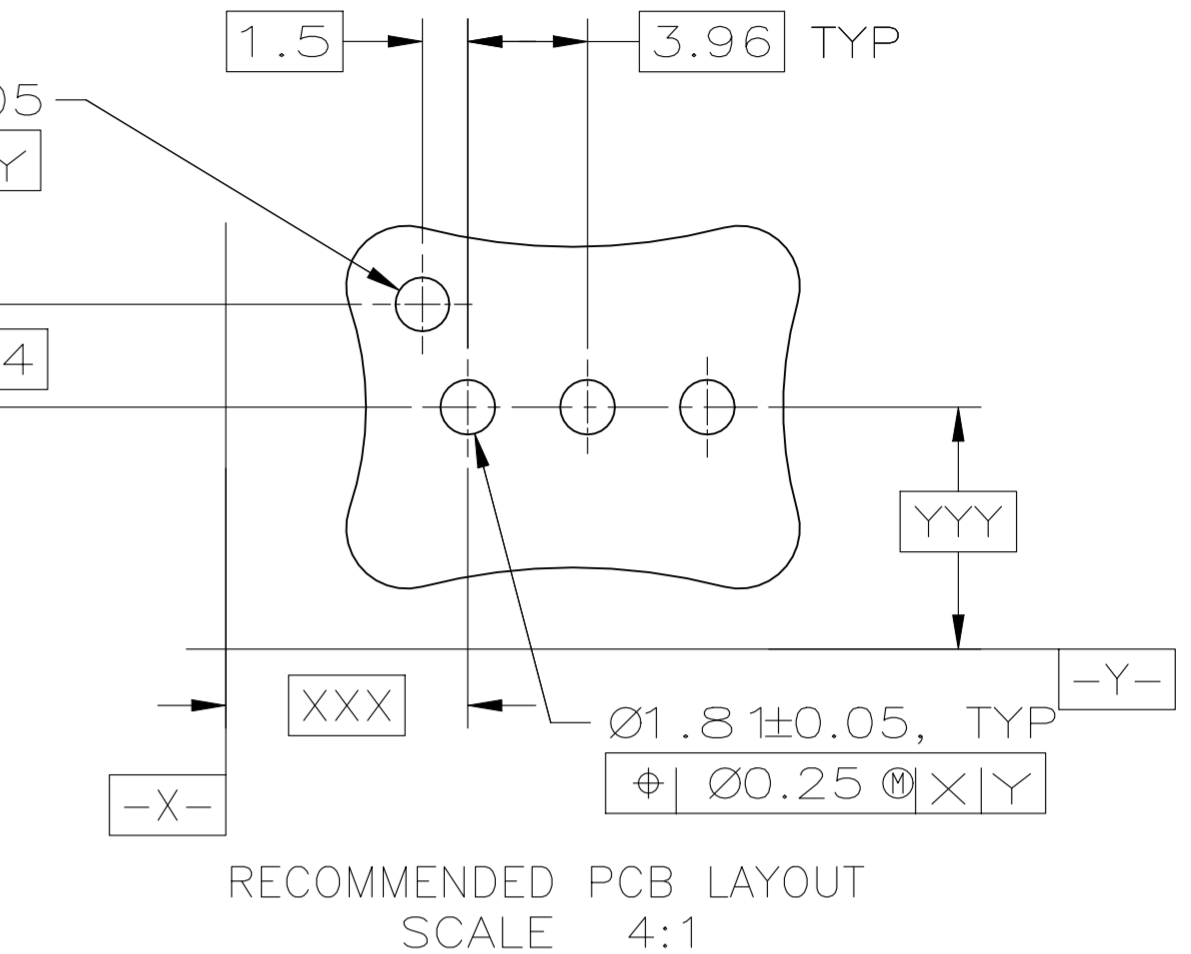
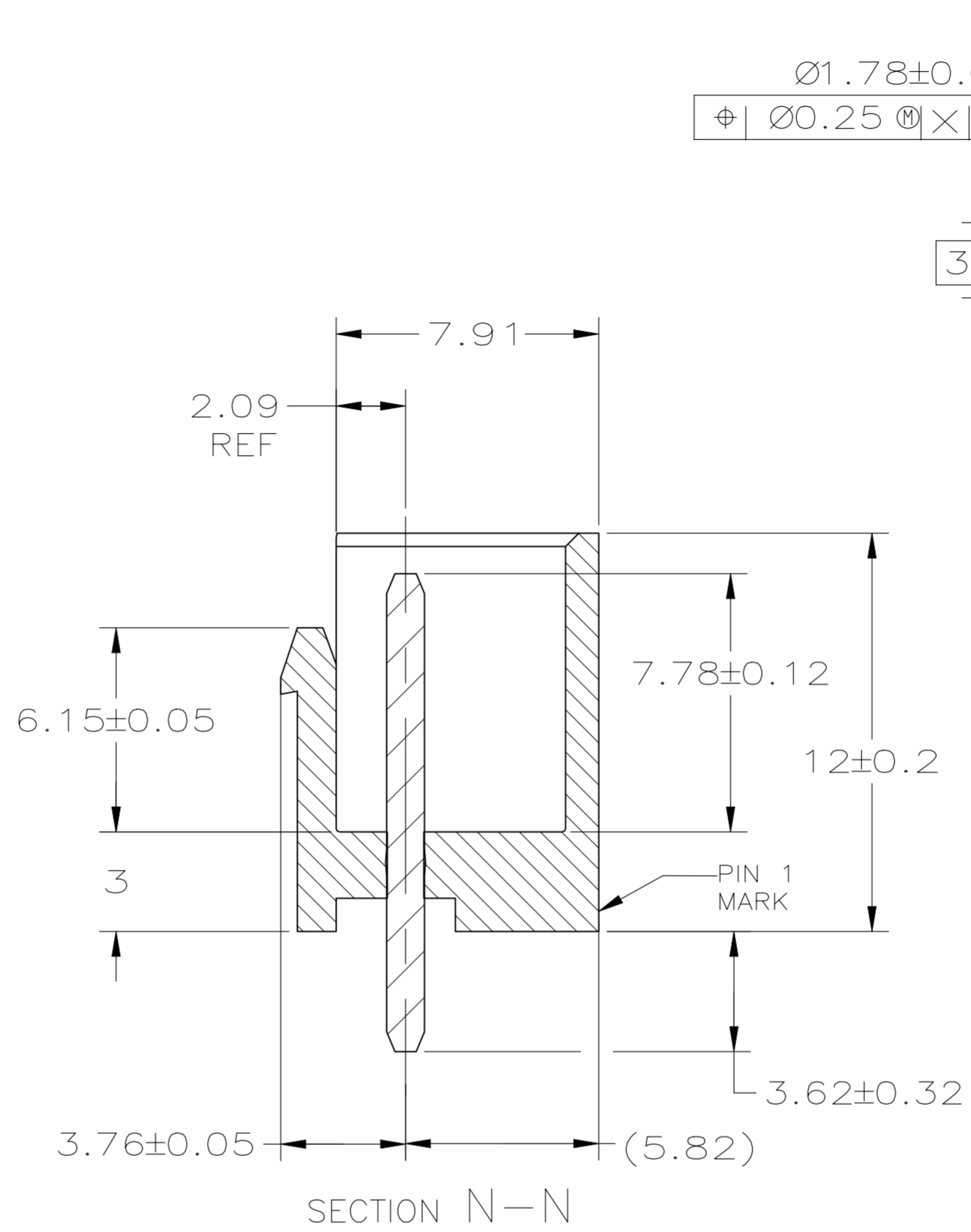
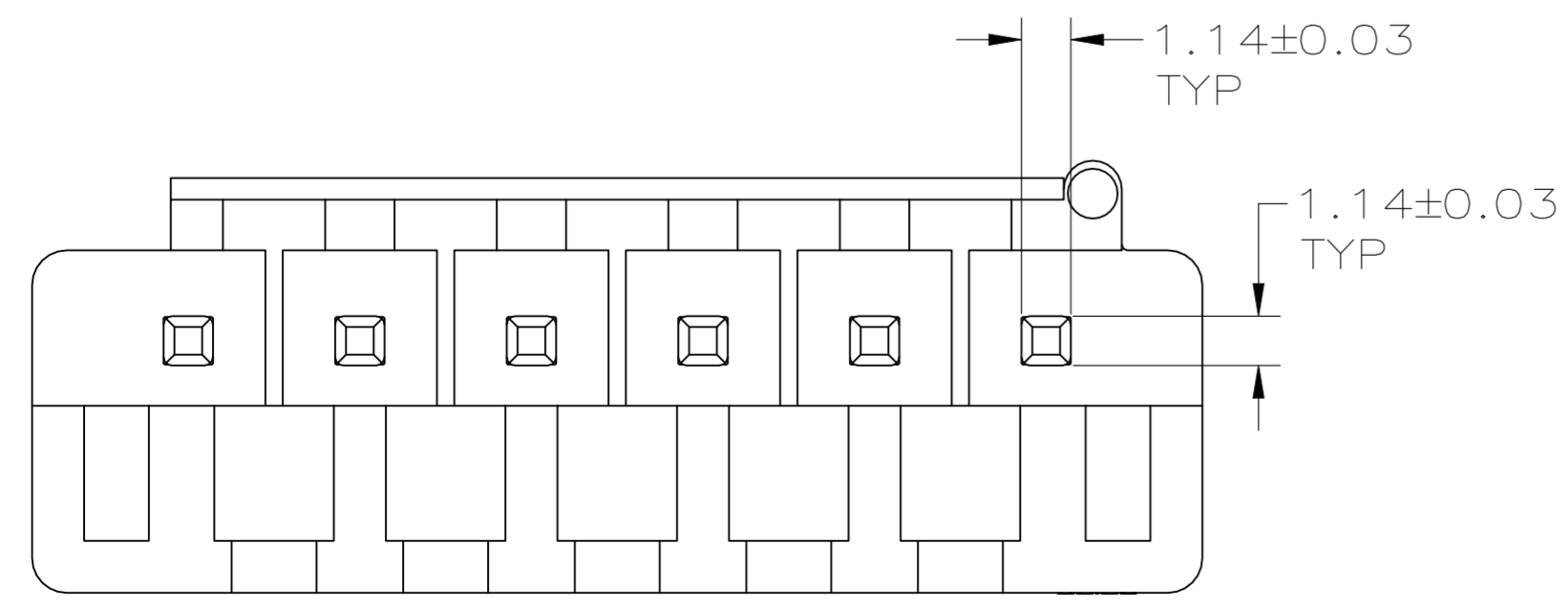
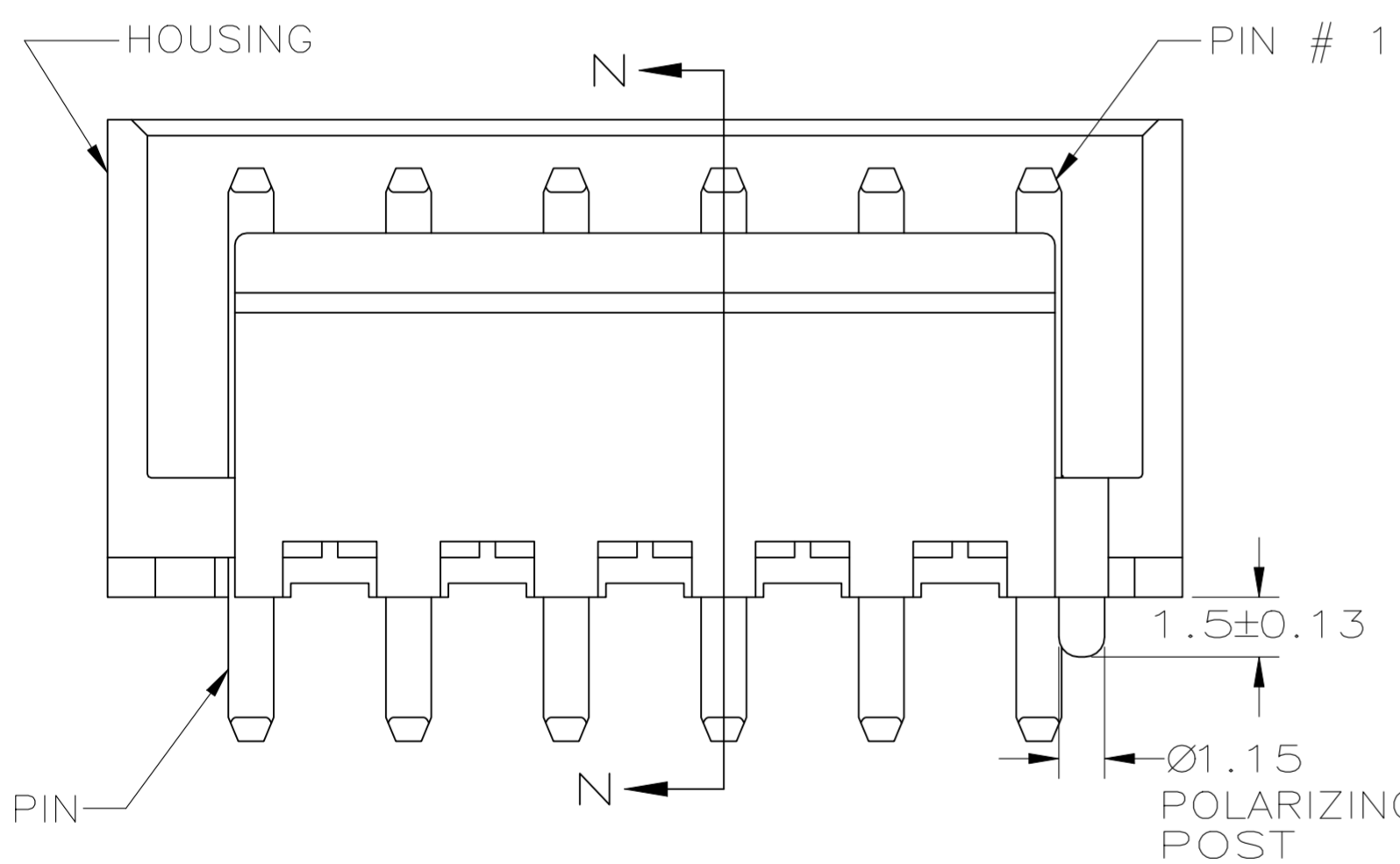
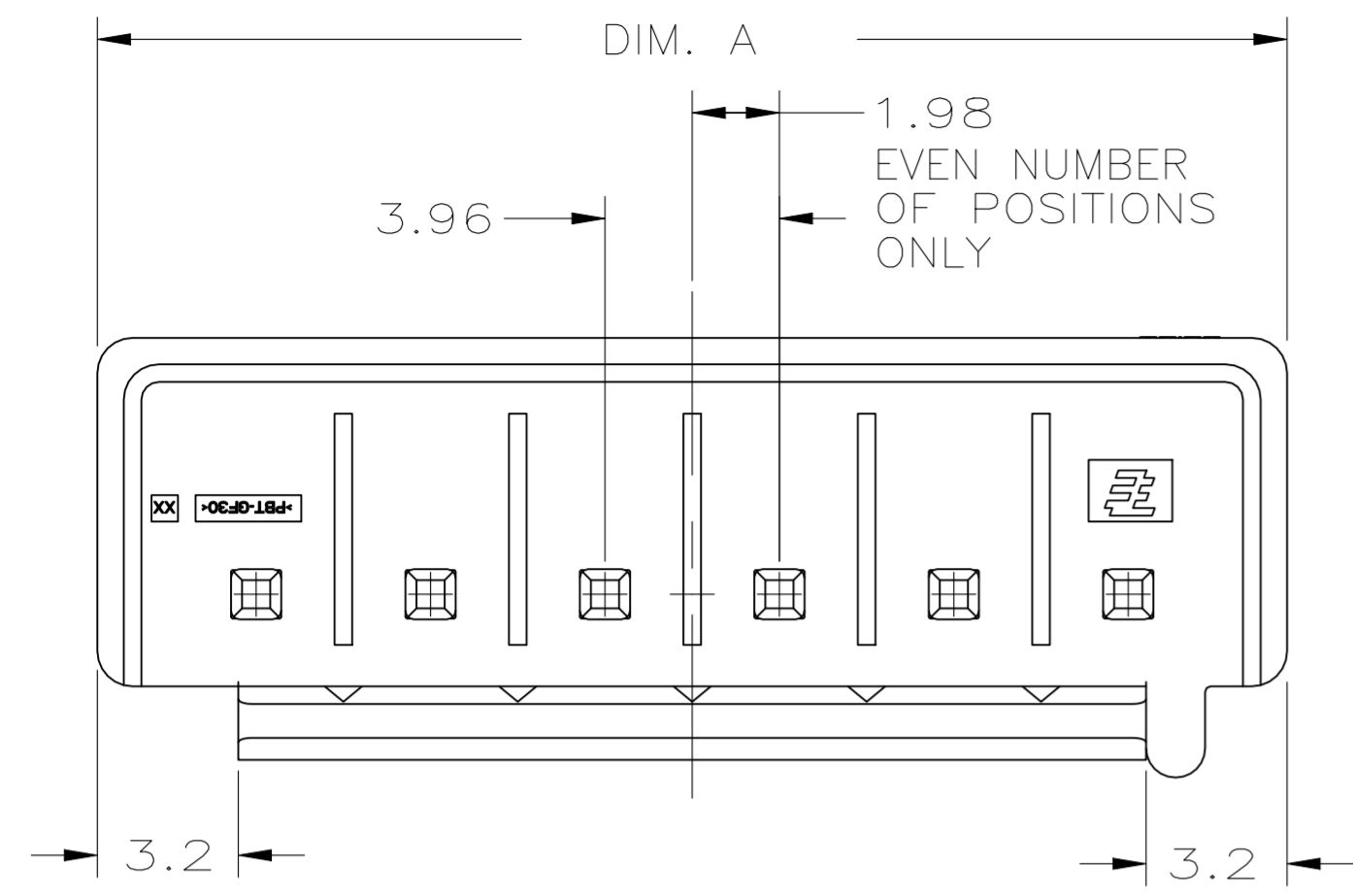


REVISIONS					
P	LTR	DESCRIPTION	DATE	DWN	APVD
B3		REVISED PER ECR-22-134495	31MAR2022	PC	DZ



1 MATERIAL: HOUSING; NYLON GLASS FILLED UL94V-2  
 PIN: BRASS  
 2 FINISH: PIN, 1.0µm MIN TIN OVER 0.8µm MIN NICKEL.

- 3 DIMENSIONS SHOWN REPRESENT PRODUCT IN DRY, AS MOLDED, CONDITION. ADDITIONAL 2% GROWTH DUE TO SUBSEQUENT MOISTURE ABSORPTION MAY OCCUR AND SHOULD BE ACCOUNTED FOR
- 4 RECOMMENDED MATING PART: \*-1744416-\*
- 5 PACKAGING: LOOSE PIECE
- 6 PER IEC 60335-1 SECT.30, GWEPT 750C, NO FLAME or Te-Ti≤2S
- 7 SKETCH SHOWS NO PIN MISSING.

15.13	2	3	1-1744427-3
34.93	7	8	1-1744427-8
23.05	2	5	1-1744427-5
50.77	-	12	1-1744427-2
46.81	-	11	1-1744427-1
42.85	-	10	1-1744427-0
38.89	-	9	1744427-9
34.93	-	8	1744427-8
30.97	-	7	1744427-7
27.01	-	6	1744427-6
23.05	-	5	1744427-5
19.09	-	4	1744427-4
15.13	-	3	1744427-3
11.17	-	2	1744427-2
DIM. A	OMIT PIN#	POS.	PART NO.

THIS DRAWING IS A CONTROLLED DOCUMENT.		DWN	JR RUTH	09JAN12
DIMENSIONS: mm		CHK	SAM MACE	09JAN12
TOLERANCES UNLESS OTHERWISE SPECIFIED:		APVD	SAM MACE	09JAN12
0 PLC	± -	PRODUCT SPEC		
1 PLC	± -	108-2297		
2 PLC	± 0.10	APPLICATION SPEC		
3 PLC	± -	114-13265		
4 PLC	± -	WEIGHT		
ANGLES	± -	SCALE N/A		
MATERIAL	1	FINISH	2	SHEET 1 OF 1
CUSTOMER DRAWING		DRAWING NO. C=1744427		REV B3