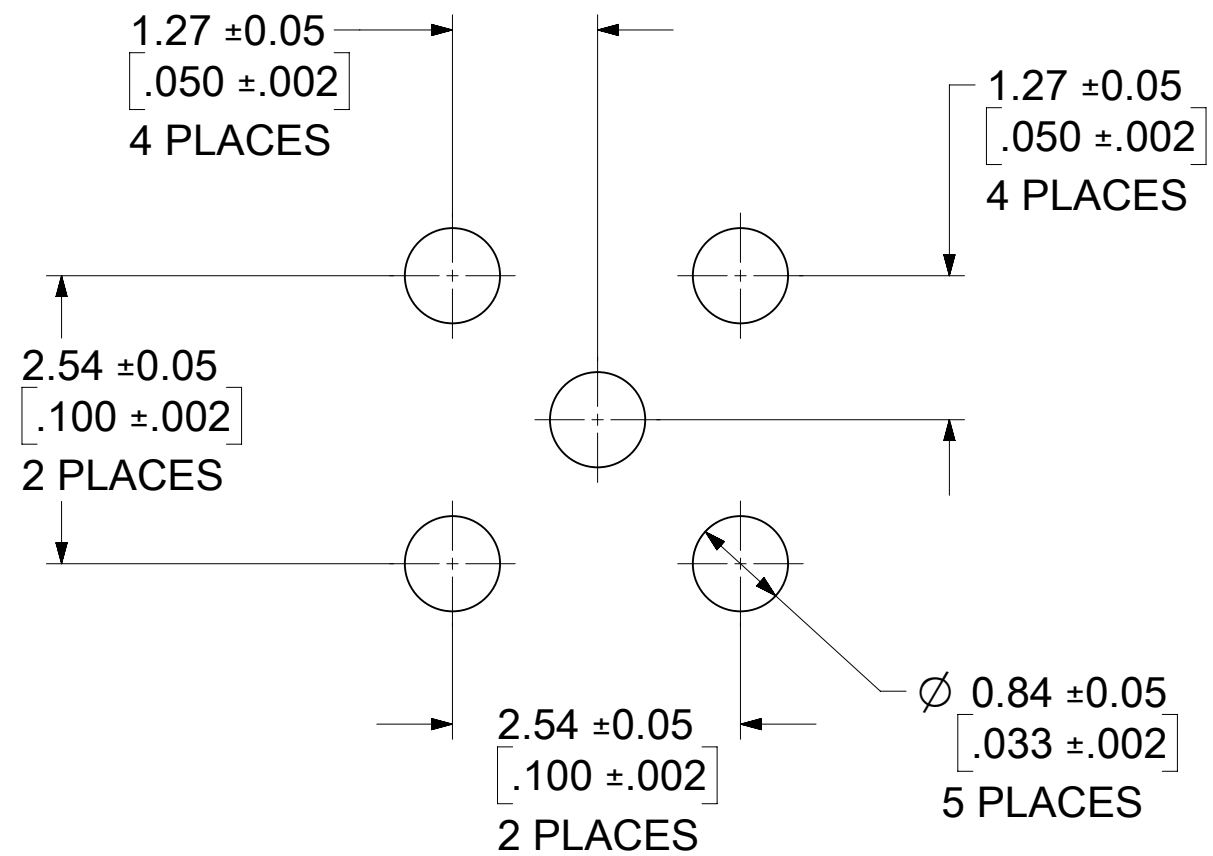
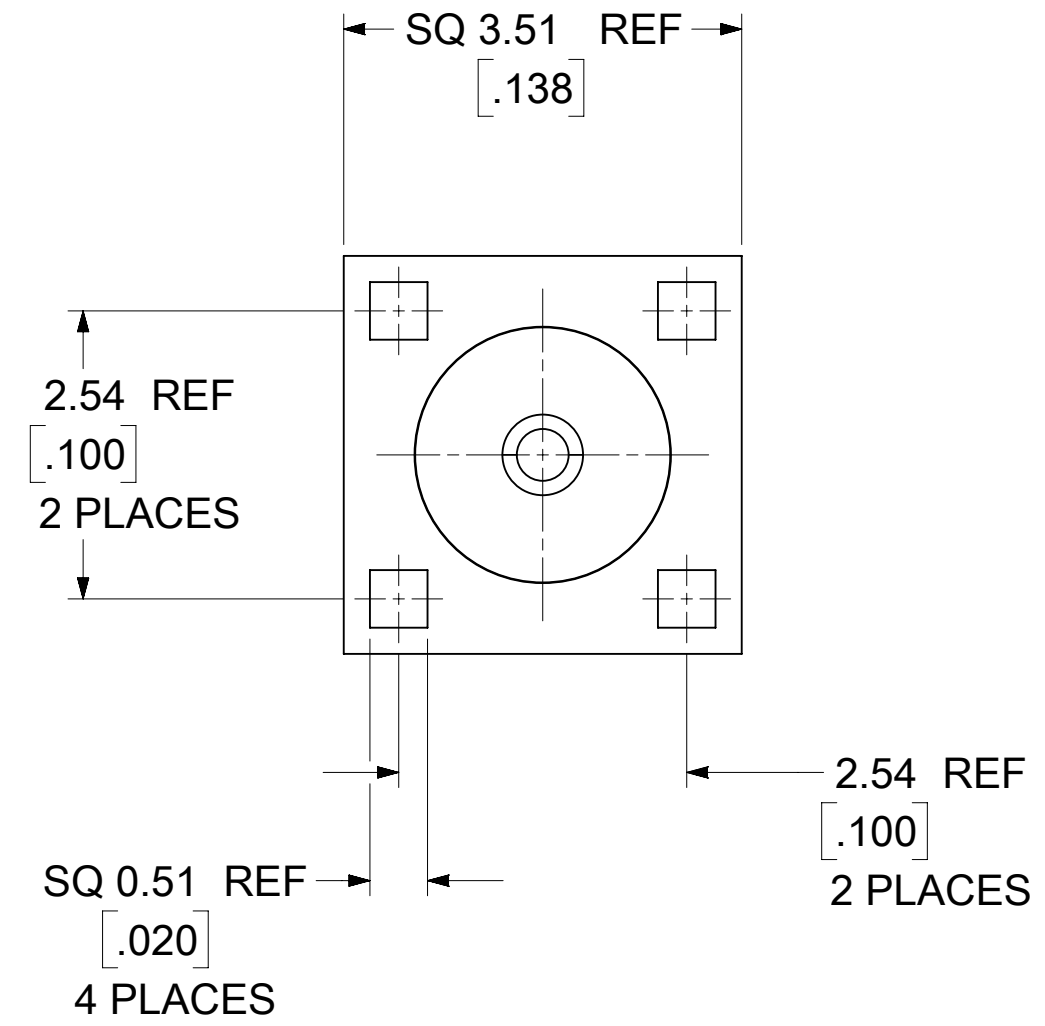
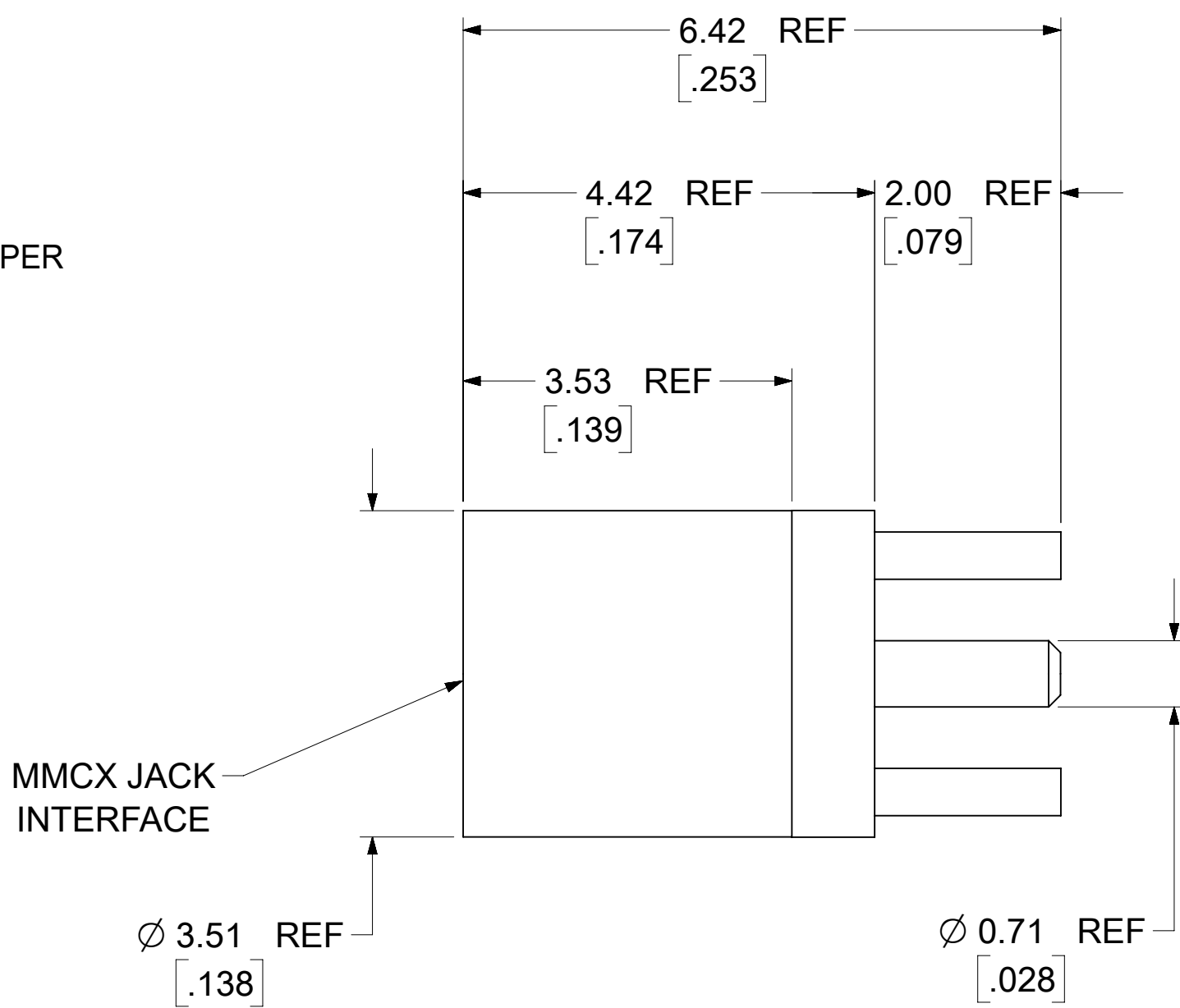
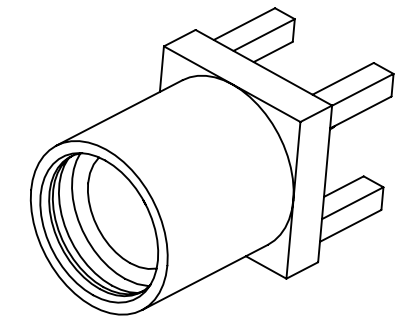


MATERIALS AND FINISHES

BODY BRASS
PLATED GOLD

CENTER CONTACT BERYLLIUM COPPER
PLATED GOLD

INSULATOR TEFLON



RECOMMENDED PCB LAYOUT

ES-73599-0000-016	INTERFACE
PS-89675-1910	ELECTRO/MECH PER.
SPECIFICATION	DESCRIPTION

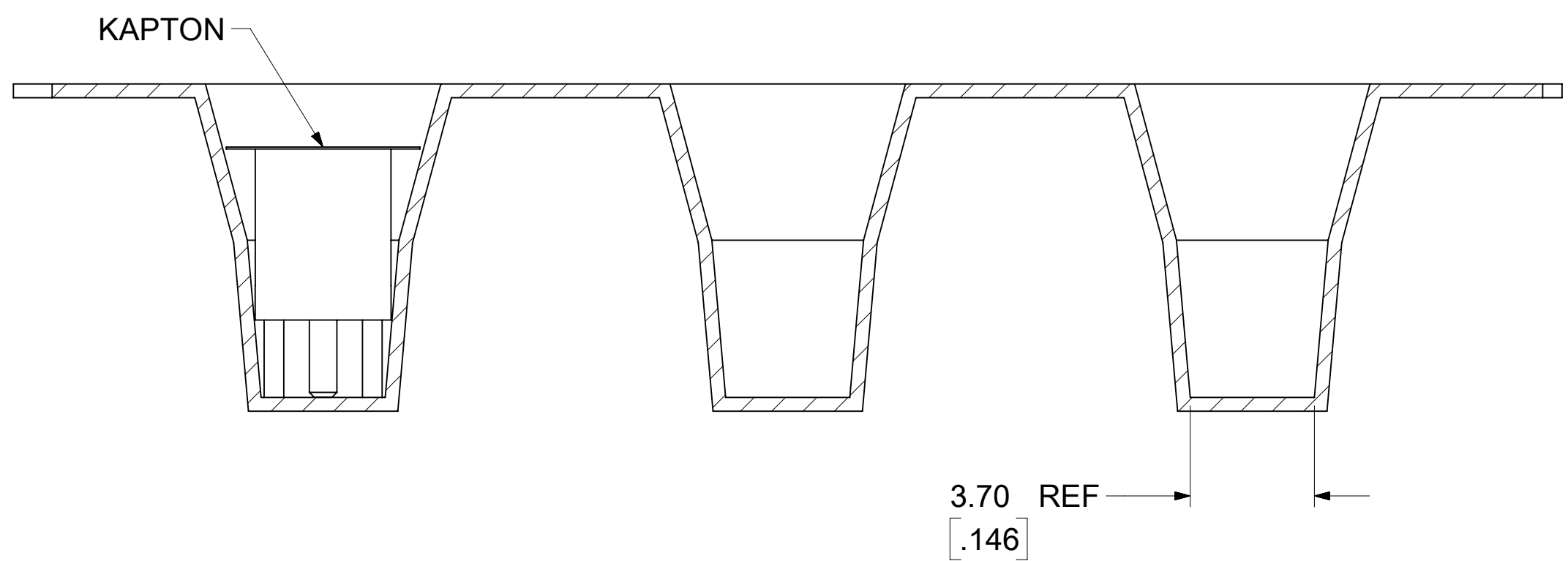
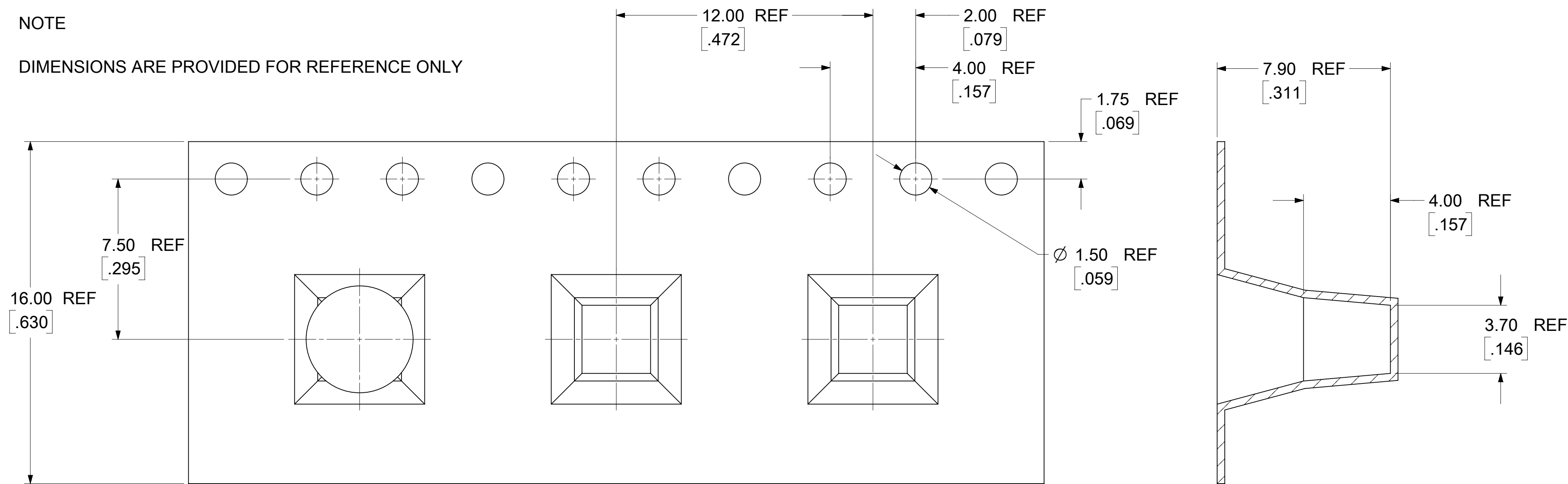
73414-0292	PACKAGING BY TAPE AND REEL (WITHOUT KAPTON)
73414-0291	PACKAGING BY TAPE AND REEL (WITH KAPTON)
73414-0290	PACKAGING BY TRAY
PART NO.	DESCRIPTION

THIS DRAWING CONTAINS INFORMATION THAT IS PROPRIETARY TO MOLEX ELECTRONIC TECHNOLOGIES, LLC AND SHOULD NOT BE USED WITHOUT WRITTEN PERMISSION									
FUNCTIONAL SYMBOLS	DIMENSION UNITS	SCALE	CURRENT REV DESC:				molex		
$\frac{F}{A} = 0$	MM/INCH	NTS	EWR-15097-A ADDED -0292 PART NO						
$\frac{F}{C} = 0$	GENERAL TOLERANCES (UNLESS SPECIFIED)		EC NO: 707655				MMCX JACK VERTICAL, PCB 50 OHMS, PDR0904248 MMCX-J/PCB		
$\frac{F}{P} = 0$	ANGULAR TOL ± 2.0°		4 PLACES ±				PRODUCT CUSTOMER DRAWING		
DIVISIONAL SYMBOLS	3 PLACES ±		DRWN: JSU18 2022/03/28				DOCUMENT NUMBER		
	2 PLACES ±		CHK'D: YCHENG 2022/05/30				SD-73414-029		
	1 PLACE ±		APPR: YCHENG 2022/05/30				DOC TYPE DOC PART REVISION		
	0 PLACES ±		INITIAL REVISION:				PSD 003 B		
	DRAFT WHERE APPLICABLE MUST REMAIN WITHIN DIMENSIONS		THIRD ANGLE PROJECTION		DRAWING SERIES		MATERIAL NUMBER CUSTOMER SHEET NUMBER		
					C-SIZE 73414		GENERAL MARKET 1 OF 7		

DOCUMENT STATUS	P1	RELEASE DATE	2022/05/30 11:57:06
-----------------	----	--------------	---------------------

NOTE

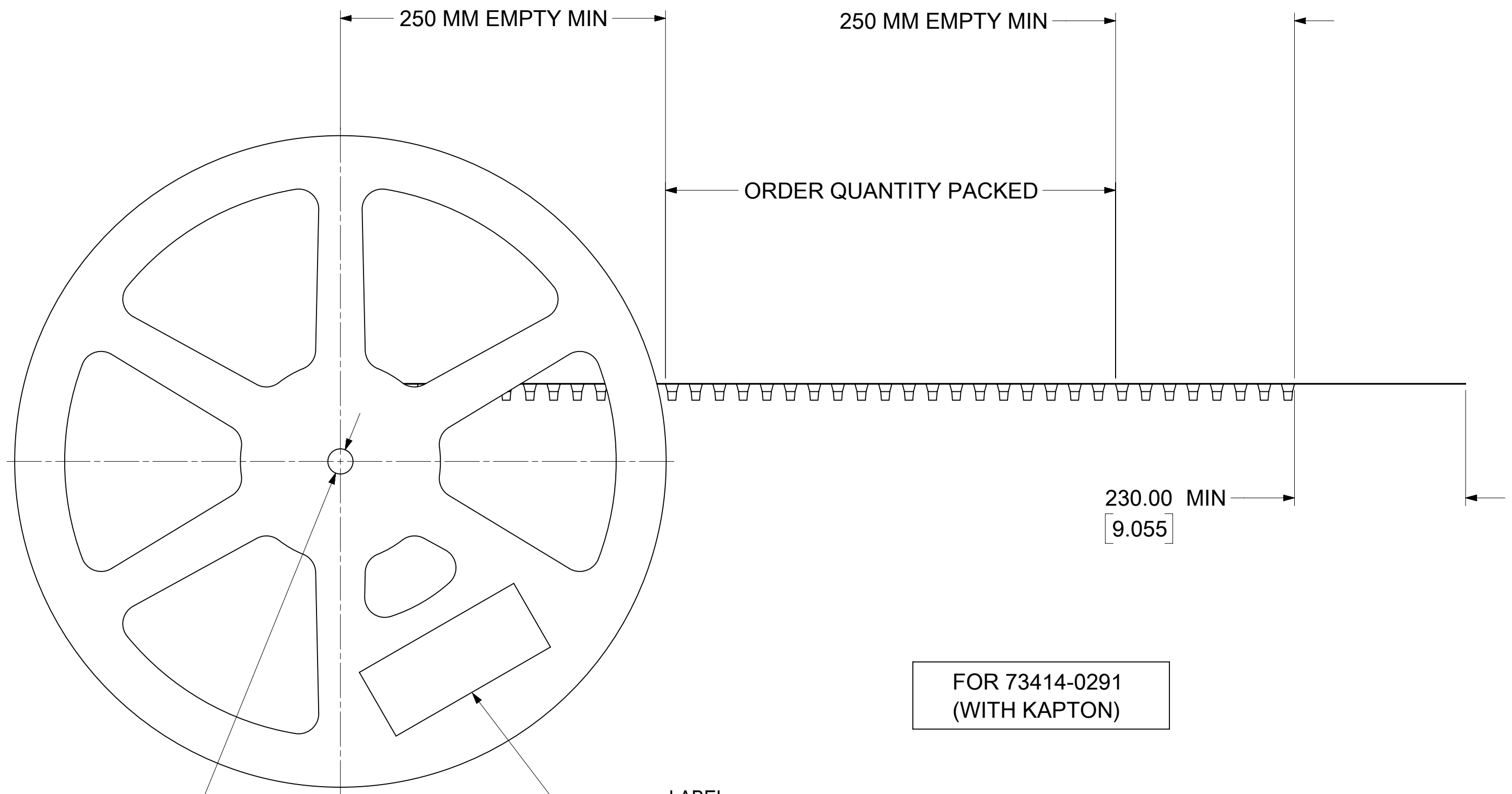
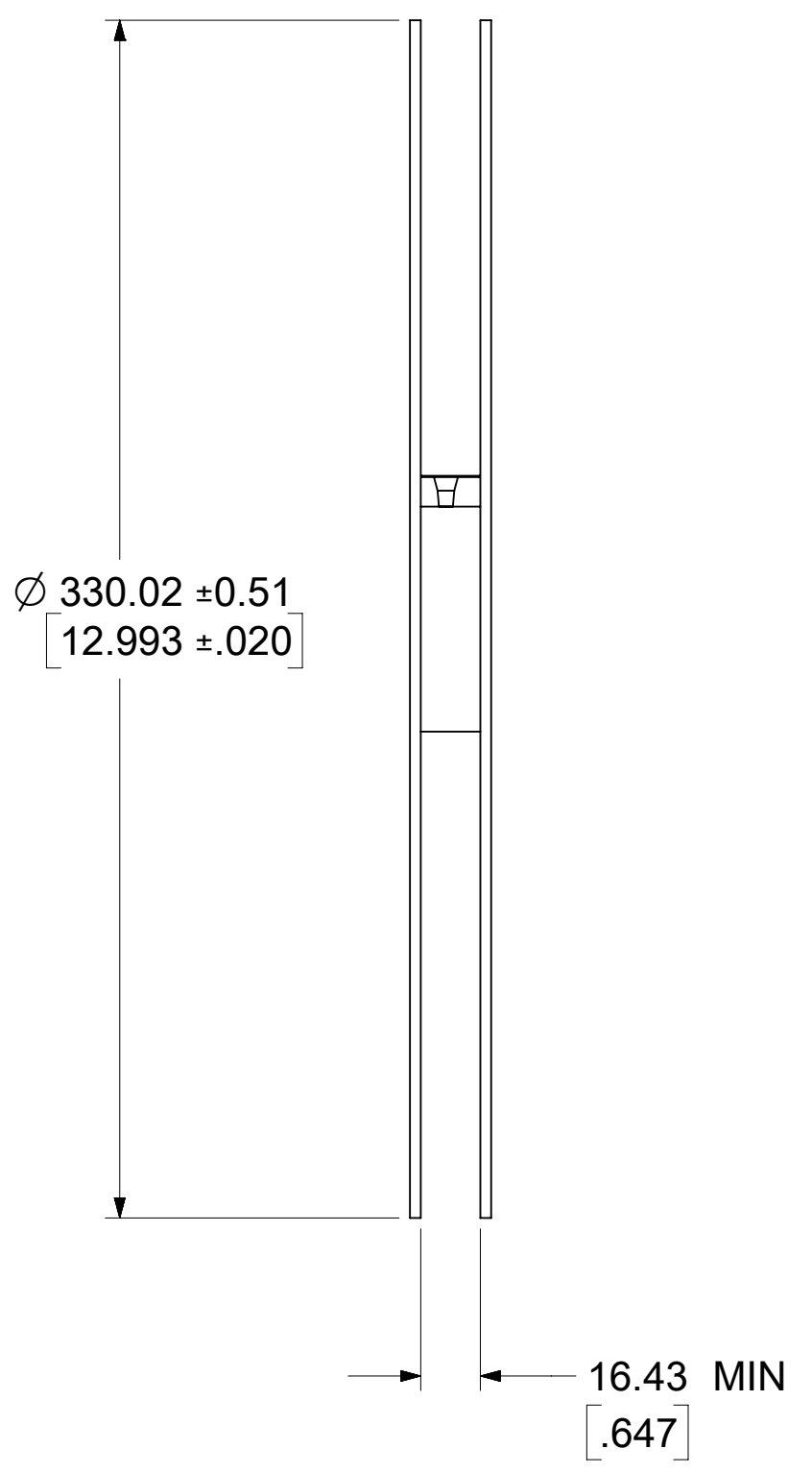
DIMENSIONS ARE PROVIDED FOR REFERENCE ONLY



FOR 73414-0291
(WITH KAPTON)

FUNCTIONAL SYMBOLS										THIS DRAWING CONTAINS INFORMATION THAT IS PROPRIETARY TO MOLEX ELECTRONIC TECHNOLOGIES, LLC AND SHOULD NOT BE USED WITHOUT WRITTEN PERMISSION											
DIMENSION UNITS		SCALE		CURRENT REV DESC:																	
MM/INCH		NTS		EWR-15097-A ADDED -0292 PART NO																	
GENERAL TOLERANCES (UNLESS SPECIFIED)										EC NO: 707655											
ANGULAR TOL ± 2.0°										DRWN: JSU18 2022/03/28											
4 PLACES ±										CHK'D: YCHENG 2022/05/30											
3 PLACES ±										APPR: YCHENG 2022/05/30											
2 PLACES ±										INITIAL REVISION:											
1 PLACE ±										DRWN: MCHAN05 2009/04/27											
0 PLACES ±										APPR: MHUANG 2009/04/28											
DRAFT WHERE APPLICABLE MUST REMAIN WITHIN DIMENSIONS					THIRD ANGLE PROJECTION					DRAWING		SERIES		DOCUMENT NUMBER		DOC TYPE		DOC PART		REVISION	
										C-SIZE		73414		SD-73414-029		PSD		003		B	
										MATERIAL NUMBER		CUSTOMER		SHEET NUMBER							
												GENERAL MARKET		2 OF 7							

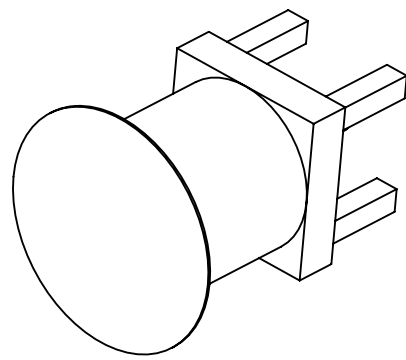
13" REEL SIZE



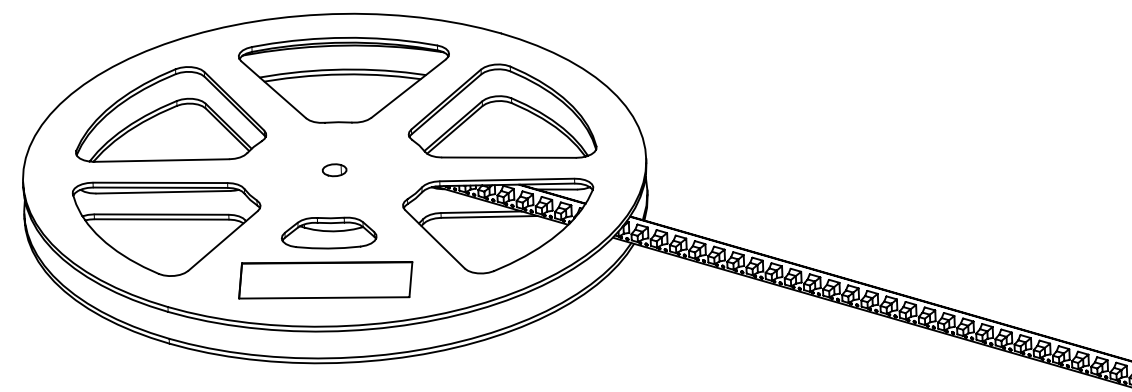
FOR 73414-0291
(WITH KAPTON)

LABEL
-- ORDER NO
-- QUANTITY
-- PRT NO
-- LOT NO

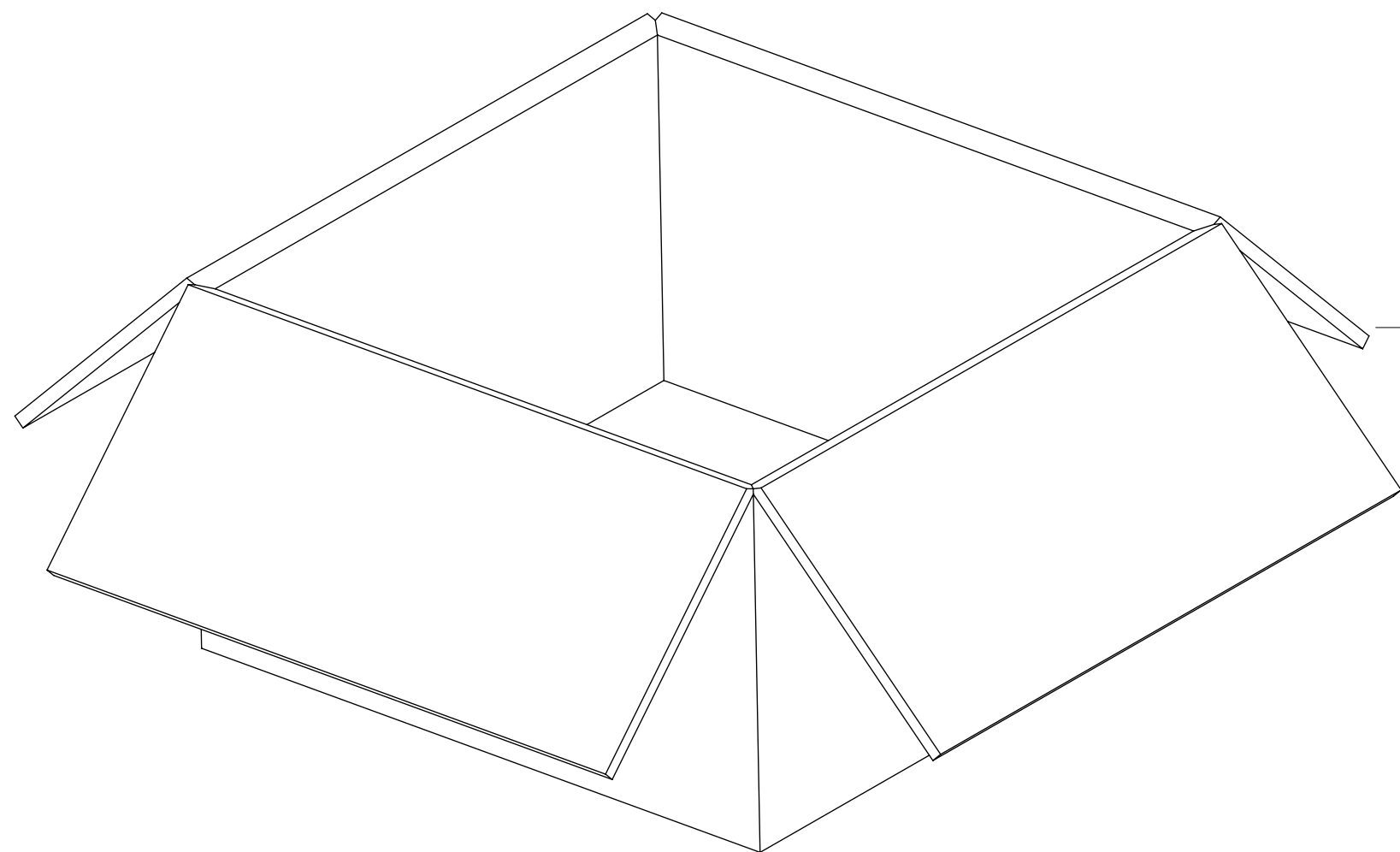
FUNCTIONAL SYMBOLS	THIS DRAWING CONTAINS INFORMATION THAT IS PROPRIETARY TO MOLEX ELECTRONIC TECHNOLOGIES, LLC AND SHOULD NOT BE USED WITHOUT WRITTEN PERMISSION														
	DIMENSION UNITS	SCALE	CURRENT REV DESC:								molex				
$\frac{F}{A} = 0$	MM/INCH	NTS	EWR-15097-A ADDED -0292 PART NO												
$\frac{F}{C} = 0$	GENERAL TOLERANCES (UNLESS SPECIFIED)		EC NO: 707655								MMCX JACK VERTICAL, PCB 50 OHMS, PDR0904248 MMCX-J/PCB				
$\frac{F}{P} = 0$	ANGULAR TOL ± 2.0°		DRWN: JSU18 2022/03/28								PRODUCT CUSTOMER DRAWING				
DIVISIONAL SYMBOLS	4 PLACES ±		CHK'D: YCHENG 2022/05/30								DOCUMENT NUMBER		DOC TYPE	DOC PART	REVISION
	3 PLACES ±		APPR: YCHENG 2022/05/30								SD-73414-029		PSD	003	B
	2 PLACES ±		INITIAL REVISION:								MATERIAL NUMBER		CUSTOMER		SHEET NUMBER
	1 PLACE ±		DRWN: MCHAN05 2009/04/27								GENERAL MARKET		3 OF 7		
0 PLACES ±		DRAFT WHERE APPLICABLE MUST REMAIN WITHIN DIMENSIONS		THIRD ANGLE PROJECTION		DRAWING	SERIES	C-SIZE 73414							



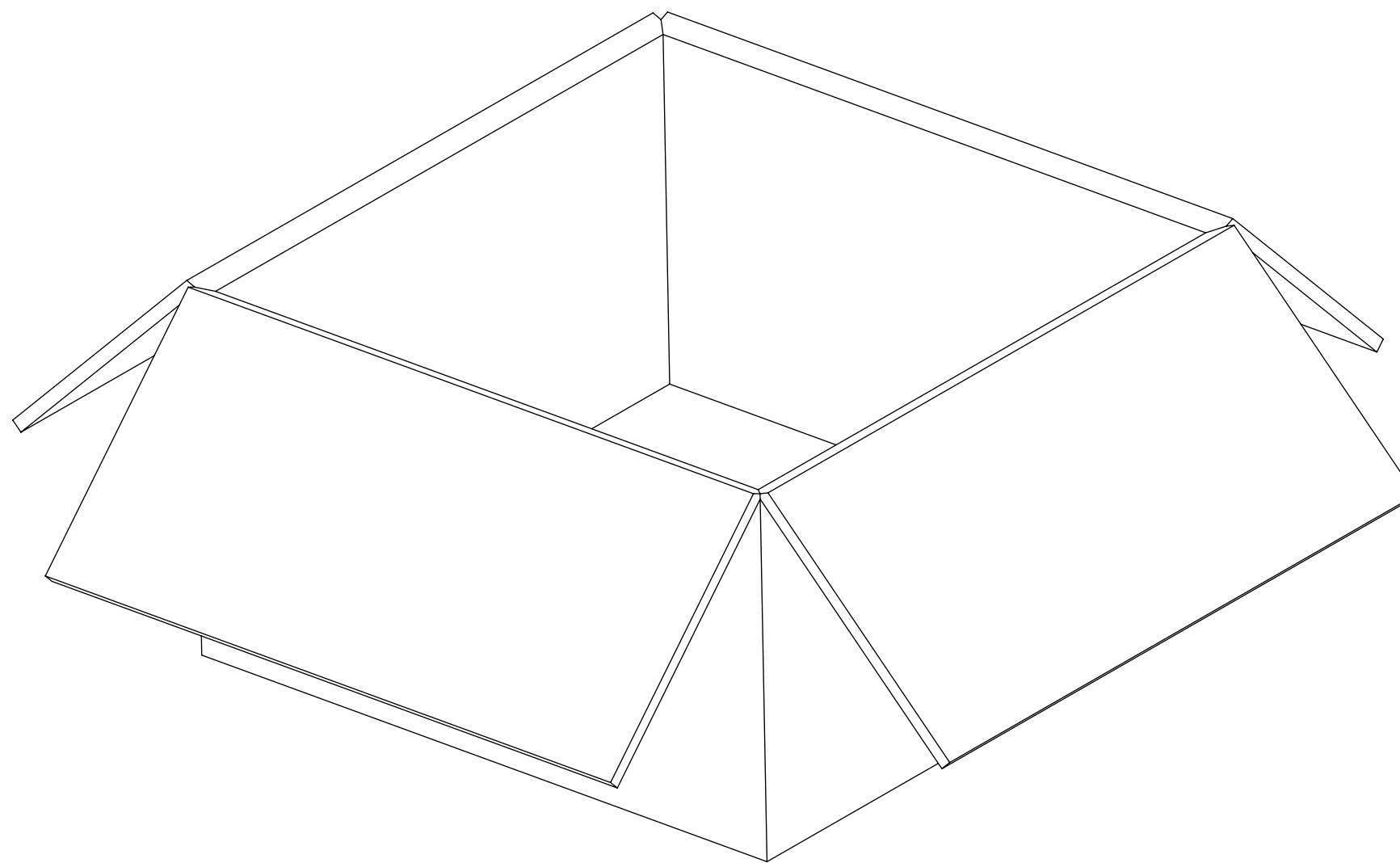
PART NO: 73414-0291



700 SETS PER TAPE & REEL
P/N: 89707-0254



4900 SET PER INNER CARTON BOX
P/N: 89499-9028



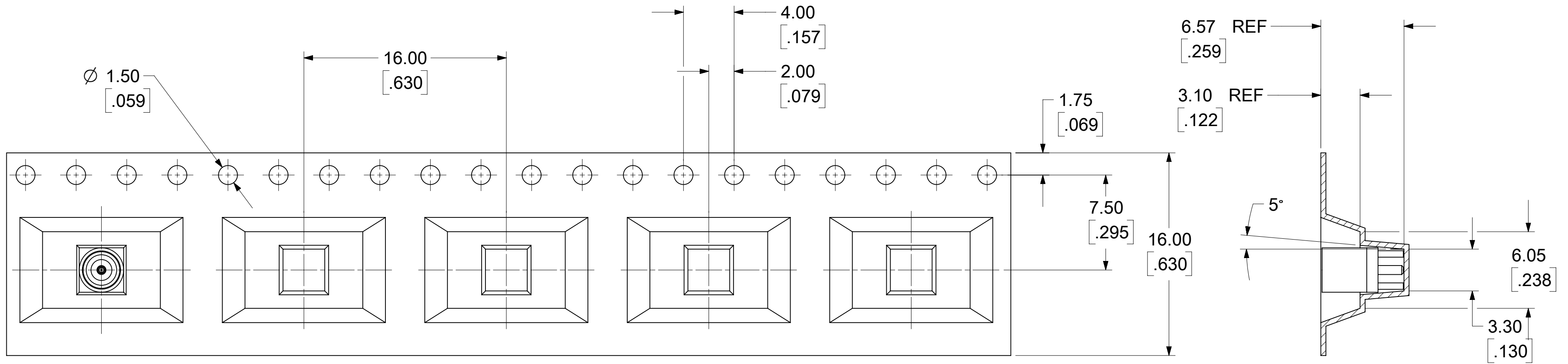
4900 SET PER OUTER CARTON BOX
P/N: 96708-0005

FUNCTIONAL SYMBOLS	THIS DRAWING CONTAINS INFORMATION THAT IS PROPRIETARY TO MOLEX ELECTRONIC TECHNOLOGIES, LLC AND SHOULD NOT BE USED WITHOUT WRITTEN PERMISSION										
	DIMENSION UNITS	SCALE	CURRENT REV DESC:							molex	
$\frac{F}{A} = 0$	MM/INCH	NTS	EC NO: 707655 DRWN: JSU18 2022/03/28 CHK'D: YCHENG 2022/05/30 APPR: YCHENG 2022/05/30 INITIAL REVISION: DRWN: MCHAN05 2009/04/27 APPR: MHUANG 2009/04/28								
$\frac{F}{C} = 0$	GENERAL TOLERANCES (UNLESS SPECIFIED)									PRODUCT CUSTOMER DRAWING	
$\frac{F}{P} = 0$	ANGULAR TOL $\pm 2.0^\circ$									DOCUMENT NUMBER	
DIVISIONAL SYMBOLS	4 PLACES \pm		SD-73414-029		PSD	003	B				
	3 PLACES \pm		MATERIAL NUMBER		CUSTOMER		SHEET NUMBER				
	2 PLACES \pm		GENERAL MARKET		4 OF 7						
	1 PLACE \pm										
	0 PLACES \pm										
	DRAFT WHERE APPLICABLE MUST REMAIN WITHIN DIMENSIONS		THIRD ANGLE PROJECTION		DRAWING	SERIES					
					C-SIZE	73414					

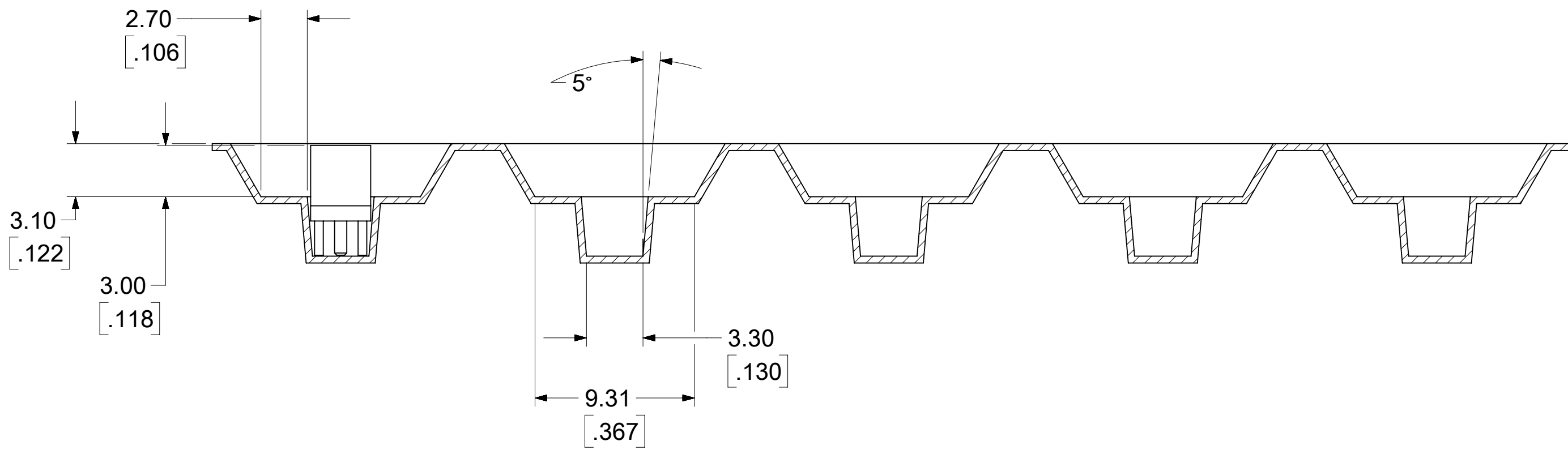
DOCUMENT STATUS	P1	RELEASE DATE	2022/05/30	11:57:06
-----------------	----	--------------	------------	----------

NOTE

DIMENSIONS ARE PROVIDED FOR REFERENCE ONLY

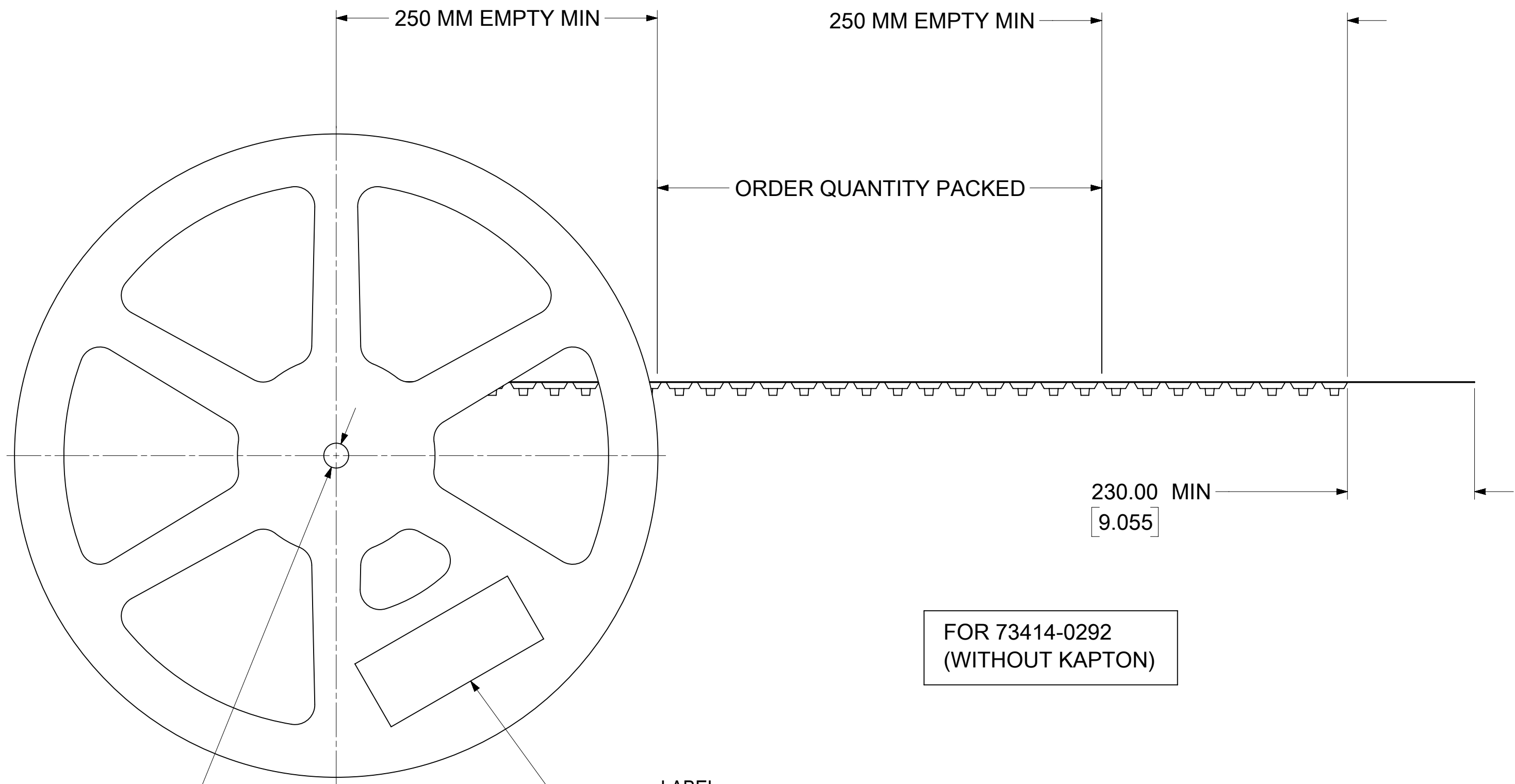
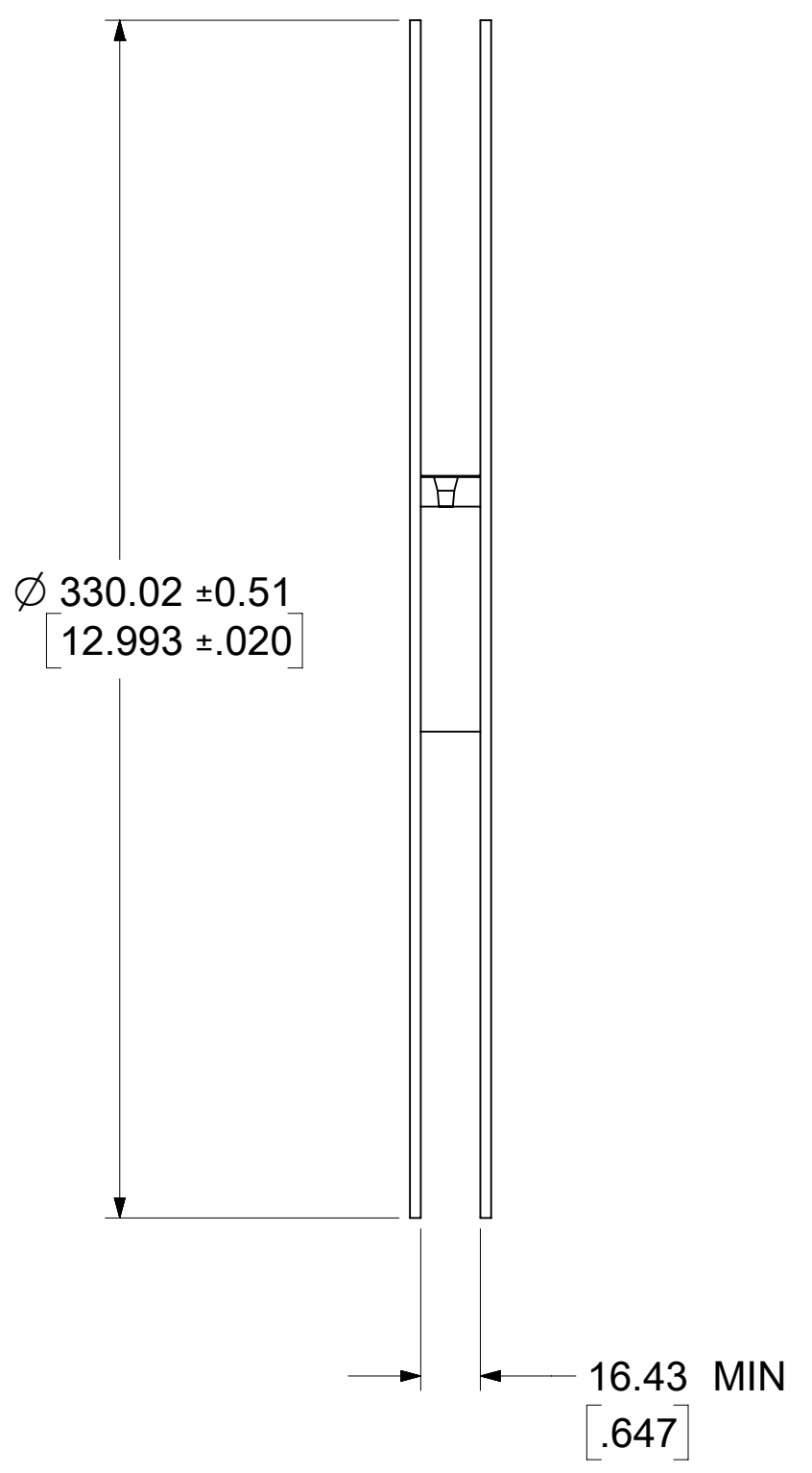


FOR 73414-0292
(WITHOUT KAPTON)



FUNCTIONAL SYMBOLS	THIS DRAWING CONTAINS INFORMATION THAT IS PROPRIETARY TO MOLEX ELECTRONIC TECHNOLOGIES, LLC AND SHOULD NOT BE USED WITHOUT WRITTEN PERMISSION		
	DIMENSION UNITS	SCALE	CURRENT REV DESC:
$\frac{F}{A} = 0$	MM/INCH	NTS	
$\frac{F}{C} = 0$	GENERAL TOLERANCES (UNLESS SPECIFIED)		
$\frac{F}{P} = 0$	ANGULAR TOL ± 2.0°		
DIVISIONAL SYMBOLS	4 PLACES	±	EC NO: 707655
	3 PLACES	±	DRWN: JSU18 2022/03/28
	2 PLACES	±	CHK'D: YCHENG 2022/05/30
	1 PLACE	±	APPR: YCHENG 2022/05/30
0 PLACES	±	INITIAL REVISION:	
DRAFT WHERE APPLICABLE MUST REMAIN WITHIN DIMENSIONS		THIRD ANGLE PROJECTION	DRWING
			SERIES
		C-SIZE	73414
DOCUMENT STATUS		P1	RELEASE DATE
2022/05/30		11:57:06	
SD-73414-029		PSD	003
GENERAL MARKET			B
5 OF 7			

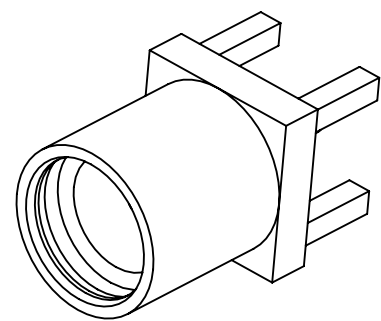
13" REEL SIZE



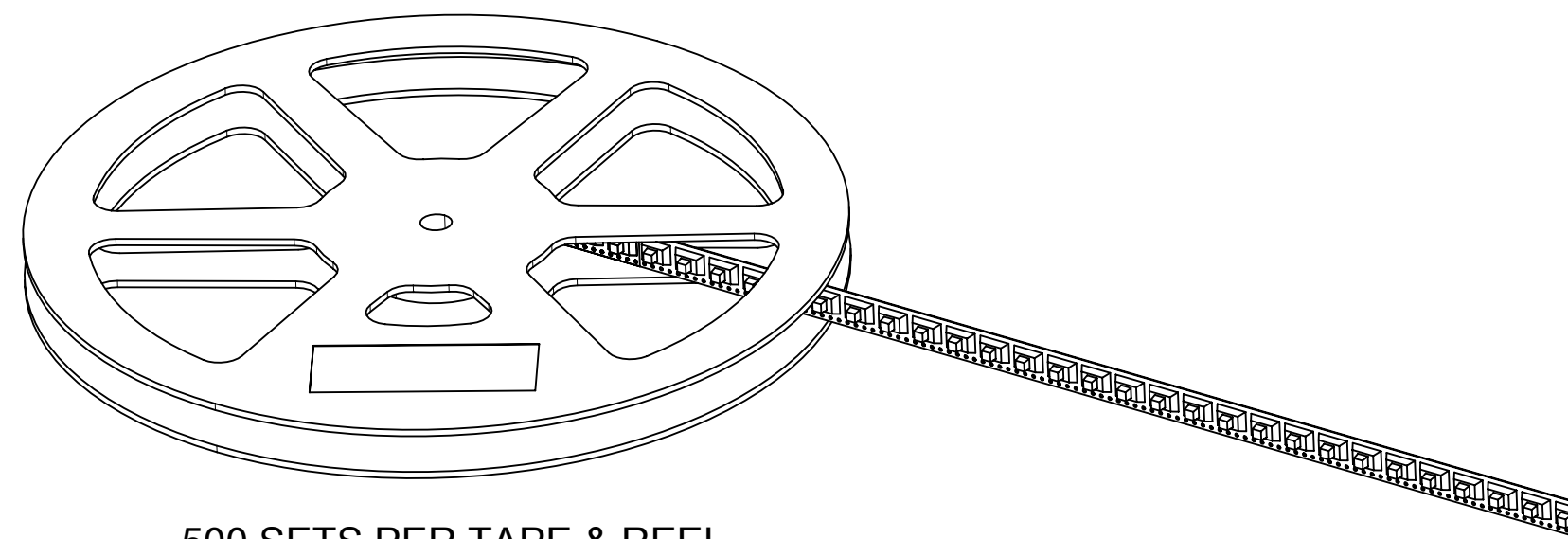
FOR 73414-0292
(WITHOUT KAPTON)

LABEL
-- ORDER NO
-- QUANTITY
-- PRT NO
-- LOT NO

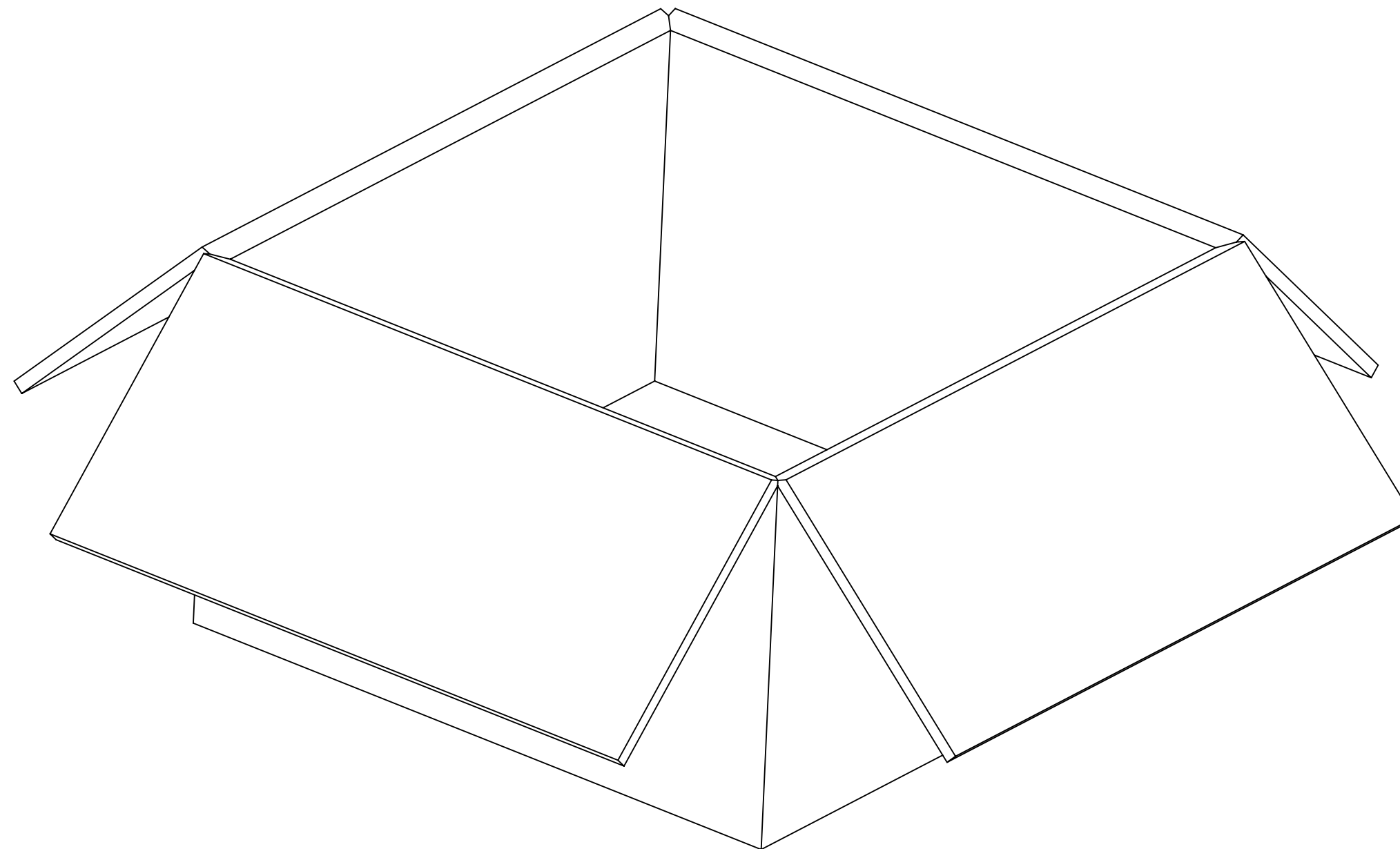
FUNCTIONAL SYMBOLS										THIS DRAWING CONTAINS INFORMATION THAT IS PROPRIETARY TO MOLEX ELECTRONIC TECHNOLOGIES, LLC AND SHOULD NOT BE USED WITHOUT WRITTEN PERMISSION									
DIMENSION UNITS		SCALE		CURRENT REV DESC:						<p>MMCX JACK VERTICAL, PCB 50 OHMS, PDR0904248 MMCX-J/PCB</p>									
MM/INCH		NTS		EC NO: 707655															
GENERAL TOLERANCES (UNLESS SPECIFIED)		DRWN: JSU18						2022/03/28											
ANGULAR TOL ± 2.0°		CHK'D: YCHENG						2022/05/30											
4 PLACES ±		APPR: YCHENG						2022/05/30											
3 PLACES ±		INITIAL REVISION:						DOCUMENT NUMBER											
2 PLACES ±		DRWN: MCHAN05						SD-73414-029											
1 PLACE ±		APPR: MHUANG						PSD 003 B											
0 PLACES ±		THIRD ANGLE PROJECTION		DRAWING		SERIES		MATERIAL NUMBER		CUSTOMER		SHEET NUMBER							
DRAFT WHERE APPLICABLE MUST REMAIN WITHIN DIMENSIONS				C-SIZE		73414		GENERAL MARKET		6 OF 7									



PART NO: 73414-0292



500 SETS PER TAPE & REEL
P/N: 89707-0660



3500 SETS PER OUTER CARTON BOX
P/N: 89499-9031

FUNCTIONAL SYMBOLS	THIS DRAWING CONTAINS INFORMATION THAT IS PROPRIETARY TO MOLEX ELECTRONIC TECHNOLOGIES, LLC AND SHOULD NOT BE USED WITHOUT WRITTEN PERMISSION										
	DIMENSION UNITS	SCALE	CURRENT REV DESC:							molex	
$\nabla_A = 0$	MM/INCH	NTS	EC NO: 707655 DRWN: JSU18 2022/03/28 CHK'D: YCHENG 2022/05/30 APPR: YCHENG 2022/05/30 INITIAL REVISION: DRWN: MCHAN05 2009/04/27 APPR: MHUANG 2009/04/28								
$\nabla_C = 0$	GENERAL TOLERANCES (UNLESS SPECIFIED)									PRODUCT CUSTOMER DRAWING	
$\nabla_P = 0$	ANGULAR TOL $\pm 2.0^\circ$									DOCUMENT NUMBER	
DIVISIONAL SYMBOLS	4 PLACES	\pm	SD-73414-029		PSD	003	B				
	3 PLACES	\pm	MATERIAL NUMBER		CUSTOMER		SHEET NUMBER				
	2 PLACES	\pm	C-SIZE		GENERAL MARKET		7 OF 7				
	1 PLACE	\pm	SERIES								
	0 PLACES	\pm	73414								
	DRAFT WHERE APPLICABLE MUST REMAIN WITHIN DIMENSIONS		THIRD ANGLE PROJECTION								

DOCUMENT STATUS	P1	RELEASE DATE	2022/05/30	11:57:06
-----------------	----	--------------	------------	----------