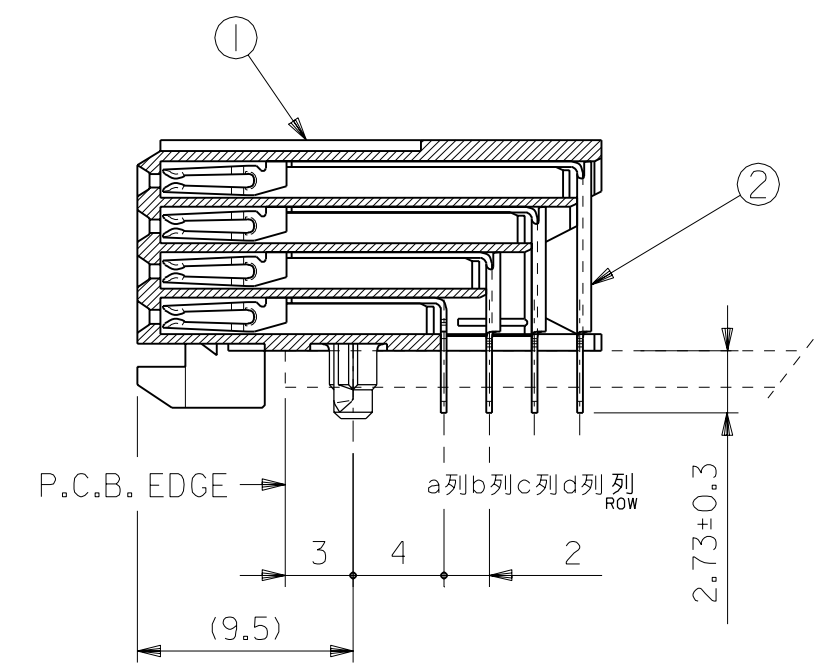
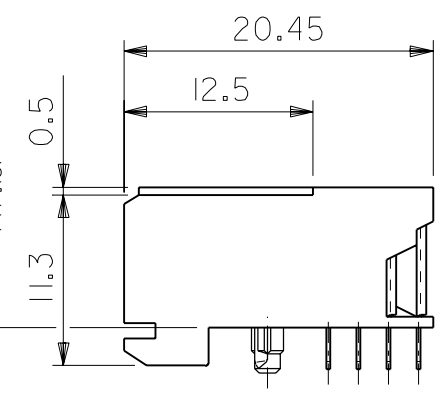
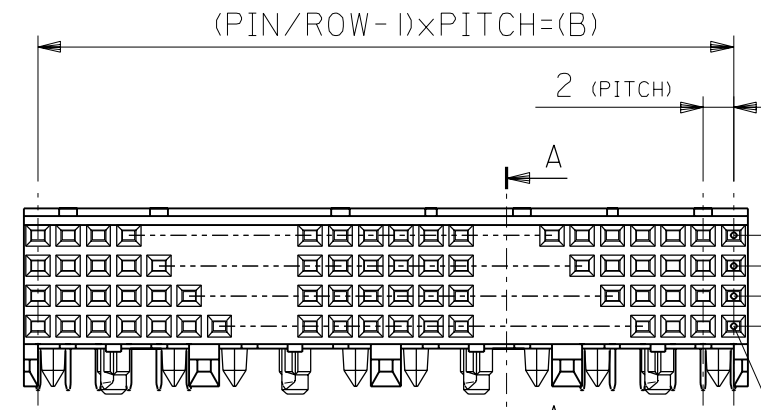
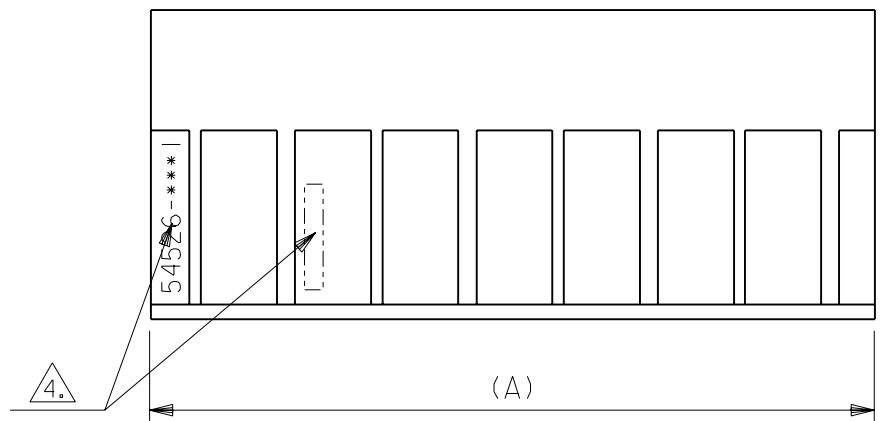
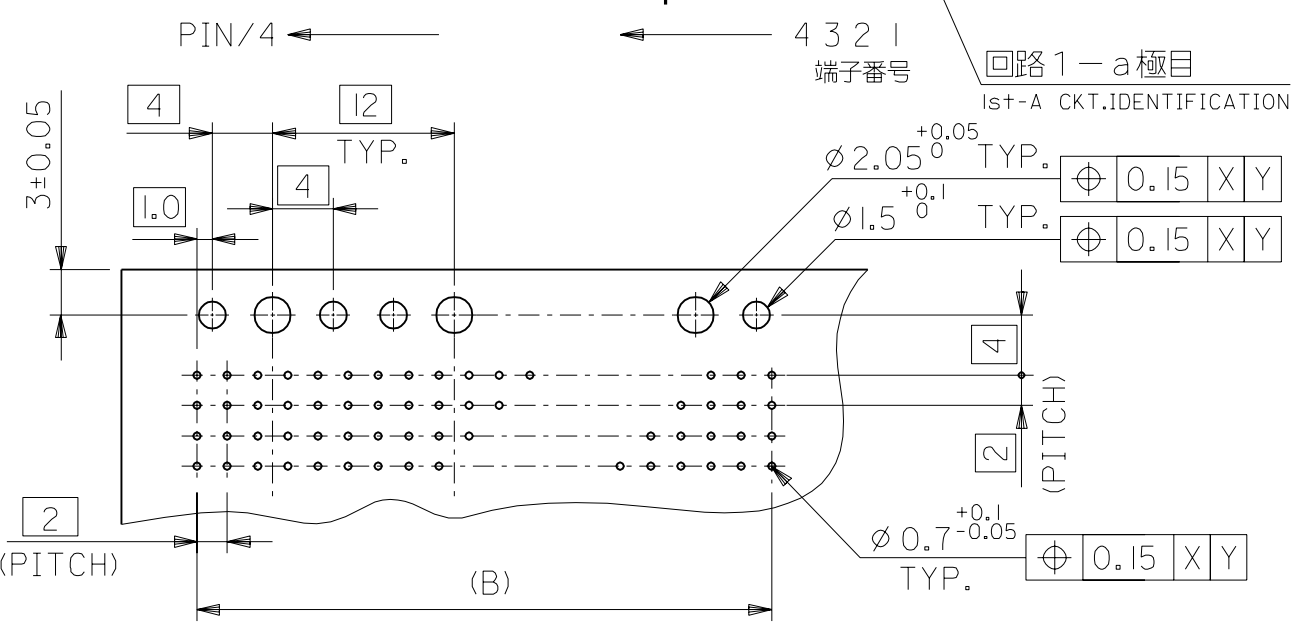


DWG. NO. SD-54526-001

番号 No.	部品 PART NAME	材質 MATERIAL	仕上げ FINISH
①	リセプタクル ハウジング RECEPTACLE HOUSING	液晶ポリマー、ガラス充填、自然色(白)、UL94V-0 LCP, GLASS FILLED, NATURAL(WHITE), UL94V-0	—#—
②	リセプタクル ターミナル RECEPTACLE TERMINAL	リン青銅 PHOSPHOR BRONZE	△1.



A-A
(NON-SCALE)



基板穴推奨寸法 (部品実装)
RECOMMENDED P.C.B. LAYOUT (COMPONENT SIDE)

- 注記
NOTE :
- △1. ターミナル めっき仕様
TERMINAL PLATING
金めっき: 0.76 μm MIN. (接点部)
GOLD: 0.76 μm MIN. (CONTACT AREA)
半田めっき: 1.0 μm MIN. (半田付け部)
TIN-LEAD: 1.0 μm MIN. (SOLDER AREA)
ニッケルメッキ: 2.0 μm MIN. (下地めっき)
NICKEL: 1.0 μm MIN. (UNDER PLATING)
 - 2. 推奨基板厚: t=1.6
RECOMMENDED P.C.B. THICKNESS: t=1.6
 - 3. 適合プラグ: 53901-***5, 55222-***5, 55089-***5
APPLICABLE PLUG: 53901-***5, 55222-***5, 55089-***5
 - △4. 製品番号及びロットナンバー
MATERIAL NO. & LOT NO.

94	95.98	54526-1921	192
58	59.98	54526-1201	120
46	47.98	54526-0961	96
22	23.98	54526-0481	48
10	11.98	54526-0241	24
B	A	MATERIAL NO.	PIN

DO NOT SCALE DRAWING

REV				MATERIAL 材料	GENERAL TOLERANCES: (UNLESS SPECIFIED) 一般公差	SCALE 2-1	DESIGN UNITS mm INCH	PROJECTION 2D 3D	TITLE	SHT	REV
0				—#—	10 UNDER 未満 ±0.2		mm	2D	"MFB" B/B CONN. (FB+) REC. ASS'Y 4ROWS DIP		
				—#—	10 OVER 以上 30 UNDER 未満 ±0.25		INCH	3D			
				—#—	30 OVER 以上 ±0.3		mm ONLY				
REV				DESCRIPTION	ANGLE 角度 ±3°	DRAWN BY & DATE CHECKED BY & DATE APPROVED BY & DATE		MATERIAL NO. DRAWING NO.		SHEET NO.	
REV				INS. RANGE 被覆外径		CAD FILENAME 54526001.S01		SEE TABLE SD-54526-001		1 OF 1	

THIS DRAWING CONTAINS INFORMATION THAT IS PROPRIETARY TO MOLEX INCORPORATED AND SHOULD NOT BE USED WITHOUT WRITTEN PERMISSION.