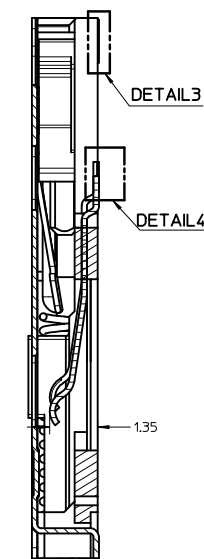
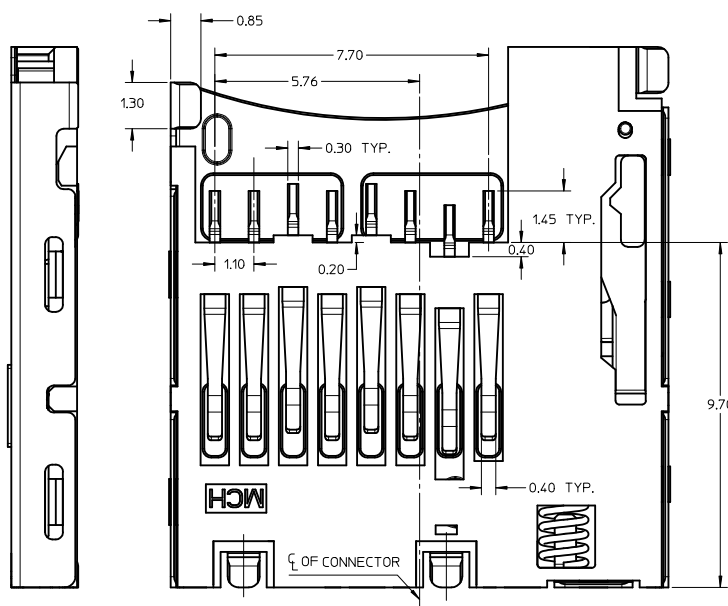
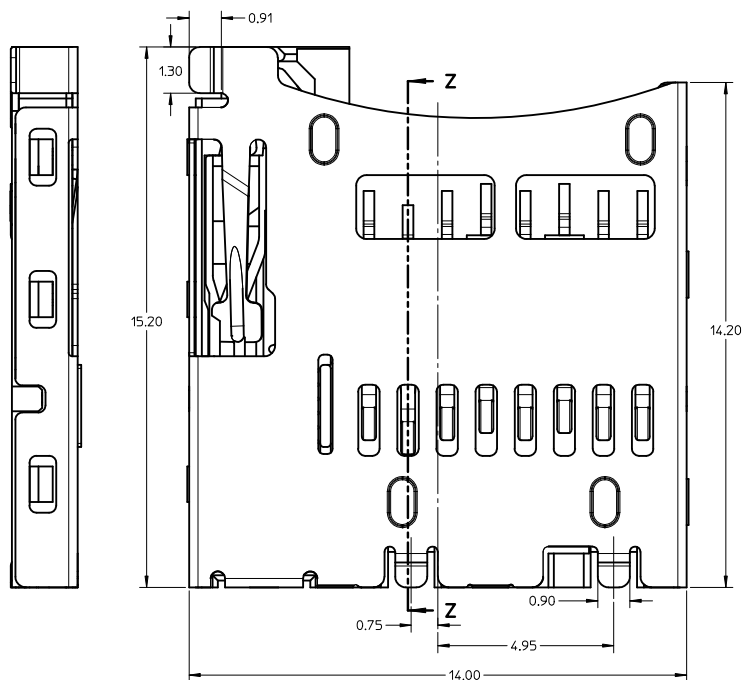
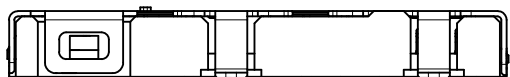


DETAIL 4

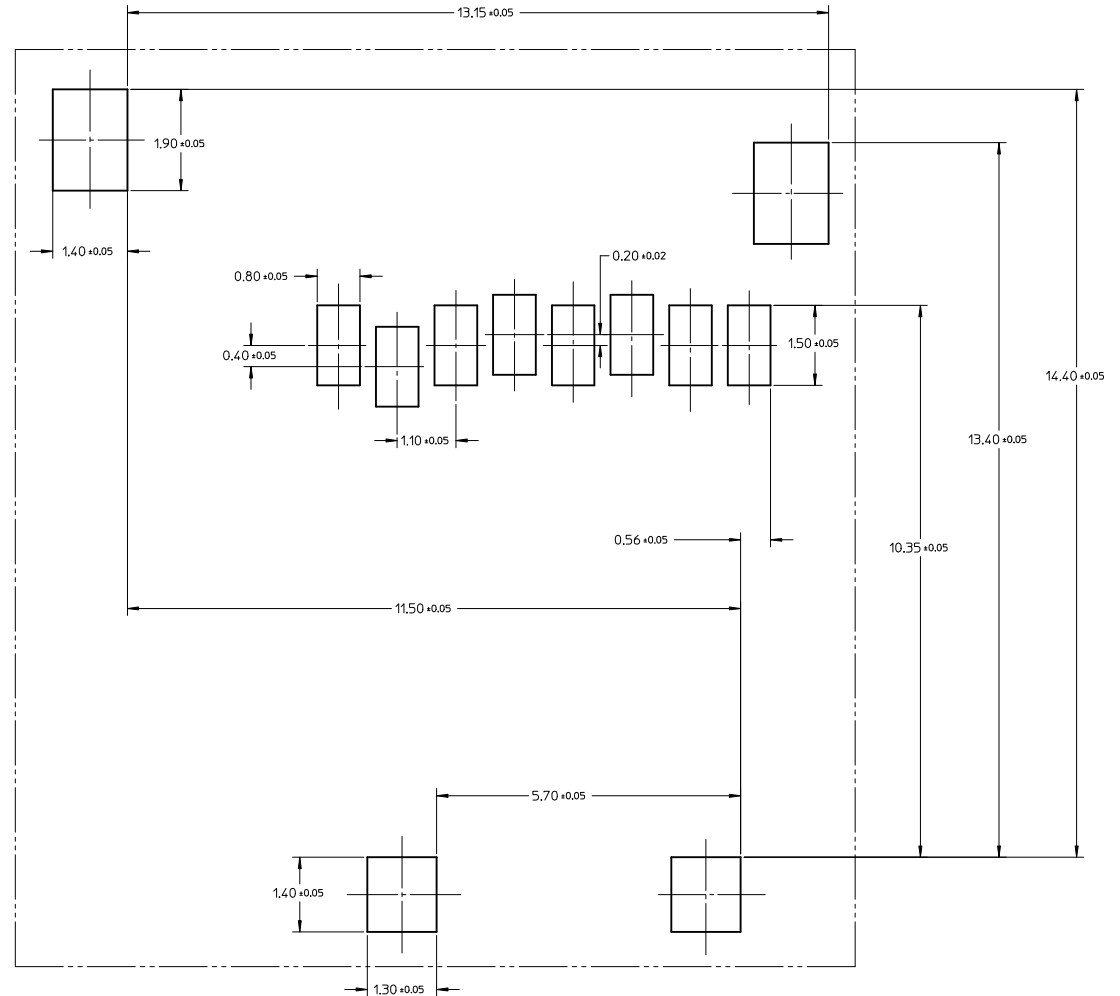
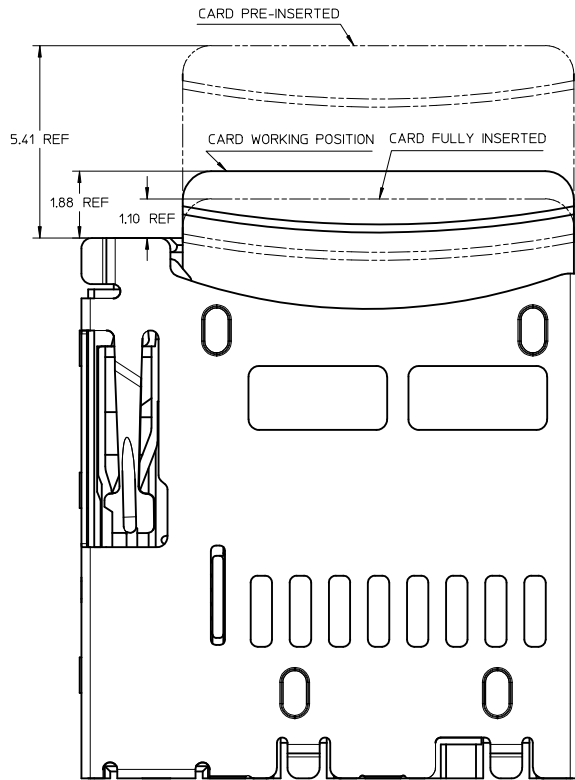
DETAIL 3



SECTION Z-Z



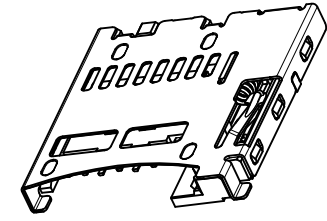
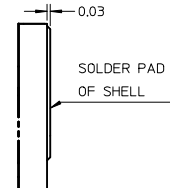
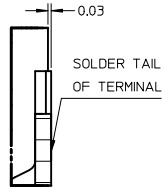
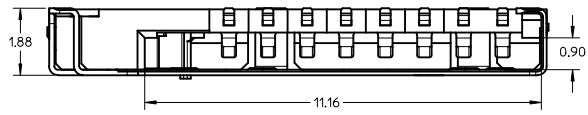
REVISED EC NO: SH2012-0215 DRAWN: GLLI CHKD: APPR: XJSONG	DESCRIPTION 2012/01/05 2012/01/16	QUALITY SYMBOLS		GENERAL TOLERANCES (UNLESS SPECIFIED)		DIMENSION STYLE MM ONLY		SCALE 5:1	DESIGN UNITS METRIC	THIRD ANGLE PROJECTION
		$\nabla=0$	$\nabla=0$	$\nabla=0$	4 PLACES ± ---	mm	INCH	DRAWN BY GLLI	DATE 2012/01/05	TITLE TFR/MICRO SD CARD READER PUSH PUSH TYPE WITHOUT DETECT PIN
					3 PLACES ± ---			CHECKED BY	DATE	
					2 PLACES ± 0.15			APPROVED BY XJSONG	DATE 2012/01/16	MATERIAL NO. 47334-0001
					1 PLACE ± 0.30					DOCUMENT NO. SD-47334-001
					ANGULAR ± 3°					SHEET NO. 1 OF 2
					DRAFT WHERE APPLICABLE MUST REMAIN WITHIN DIMENSIONS		THIS DRAWING CONTAINS INFORMATION THAT IS PROPRIETARY TO MOLEX INCORPORATED AND SHOULD NOT BE USED WITHOUT WRITTEN PERMISSION			



RECOMMENDED PCB LAYOUT

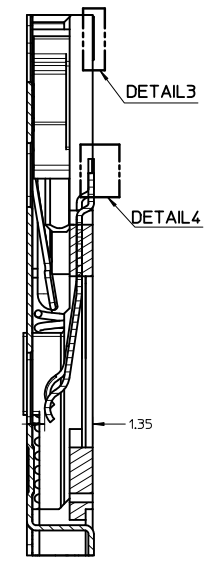
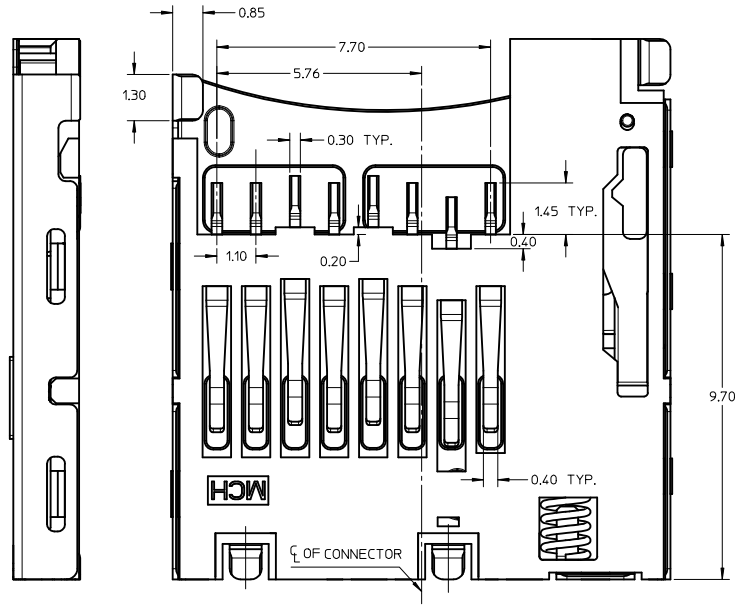
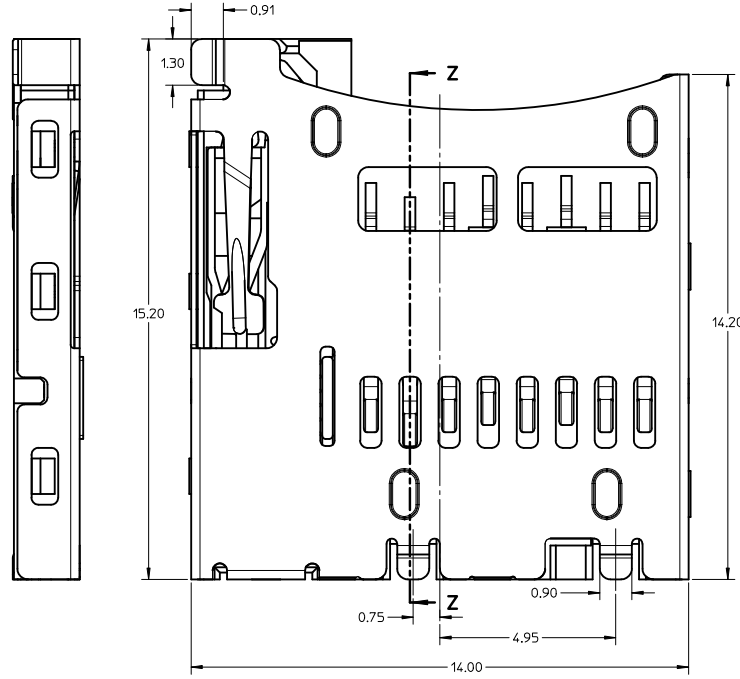
- NOTES:
- 1 MATERIAL:
 - 1-1 TERMINAL, FITTING NAIL : COPPER ALLOY.
 - 1-2 SHELL, CAM PIN, SPRING : STAINLESS STEEL.
 - 1-3 HOUSING : LCP, UL 94-V0, BLACK.
 - 1-4 CAM: NYLON 46.
 - 2 FINISH:
 - 2-1 TERMINAL : NICKEL UNDERPLATED, GOLD PLATING ON CONTACT AREA
TIN PLATING ON SOLDER TAIL
 - 2-2 SHELL : GOLD FLASH OVER NICKEL UNDERPLATED ON SOLDER PAD
 - 3 MECHANICAL SPECIFICATION:
 - REPEATED 5,000 TIMES MATING AND UNMATING CYCLES AND STILL MEET ELECTRICAL CHARACTERISTICS
 - 4 ELECTRICAL SPECIFICATION:
 - 4-1 RATED CURRENT (PER CONTACT) : 0.5AMPS MAX AND TEMPERATURE RISE SHOULD BE 30°C MAX
 - 4-2 INSULATION RESISTANCE(I.R) : 100 MEGOHMS MIN.
 - 4-3 DIELECTRIC WITHSTANDING VOLTAGE : 500 VAC
 - 4-4 CONTACT RESISTANCE: 100 MILLIOHMS MAX

REVISED EC NO: SF2012-0215 DRW:GLL CHKD: APPR:XJSONG 2012/01/05 2012/01/16	DESCRIPTION TFR/MICRO SD CARD READER	QUALITY SYMBOLS		GENERAL TOLERANCES (UNLESS SPECIFIED)		DIMENSION STYLE		SCALE	DESIGN UNITS	THIRD ANGLE PROJECTION																																
						MM ONLY		10:1	METRIC																																	
		$\nabla=0$ $\nabla=0$ $\nabla=0$		<table border="1"> <tr><th></th><th>mm</th><th>INCH</th></tr> <tr><td>4 PLACES</td><td>±---</td><td>±---</td></tr> <tr><td>3 PLACES</td><td>±---</td><td>±---</td></tr> <tr><td>2 PLACES</td><td>±0.15</td><td>±---</td></tr> <tr><td>1 PLACE</td><td>±0.30</td><td>±---</td></tr> </table>			mm	INCH	4 PLACES	±---	±---	3 PLACES	±---	±---	2 PLACES	±0.15	±---	1 PLACE	±0.30	±---	<table border="1"> <tr><th>DRAWN BY</th><th>DATE</th></tr> <tr><td>GLLI</td><td>2012/01/05</td></tr> <tr><th>CHECKED BY</th><th>DATE</th></tr> <tr><td></td><td></td></tr> <tr><th>APPROVED BY</th><th>DATE</th></tr> <tr><td>XJSONG</td><td>2012/01/16</td></tr> </table>		DRAWN BY	DATE	GLLI	2012/01/05	CHECKED BY	DATE			APPROVED BY	DATE	XJSONG	2012/01/16	<table border="1"> <tr><th>TITLE</th></tr> <tr><td>TFR/MICRO SD CARD READER PUSH PUSH TYPE WITHOUT DETECT PIN</td></tr> <tr><th>MATERIAL NO.</th></tr> <tr><td>47334-0001</td></tr> <tr><th>DOCUMENT NO.</th></tr> <tr><td>SD-47334-001</td></tr> </table>		TITLE	TFR/MICRO SD CARD READER PUSH PUSH TYPE WITHOUT DETECT PIN	MATERIAL NO.	47334-0001	DOCUMENT NO.	SD-47334-001
			mm	INCH																																						
4 PLACES	±---	±---																																								
3 PLACES	±---	±---																																								
2 PLACES	±0.15	±---																																								
1 PLACE	±0.30	±---																																								
DRAWN BY	DATE																																									
GLLI	2012/01/05																																									
CHECKED BY	DATE																																									
APPROVED BY	DATE																																									
XJSONG	2012/01/16																																									
TITLE																																										
TFR/MICRO SD CARD READER PUSH PUSH TYPE WITHOUT DETECT PIN																																										
MATERIAL NO.																																										
47334-0001																																										
DOCUMENT NO.																																										
SD-47334-001																																										
DRAFT WHERE APPLICABLE MUST REMAIN WITHIN DIMENSIONS		MATERIAL NO. 47334-0001		DOCUMENT NO. SD-47334-001		SHEET NO. 2 OF 2																																				

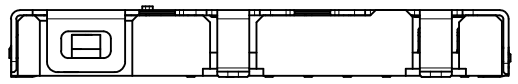


DETAIL 4

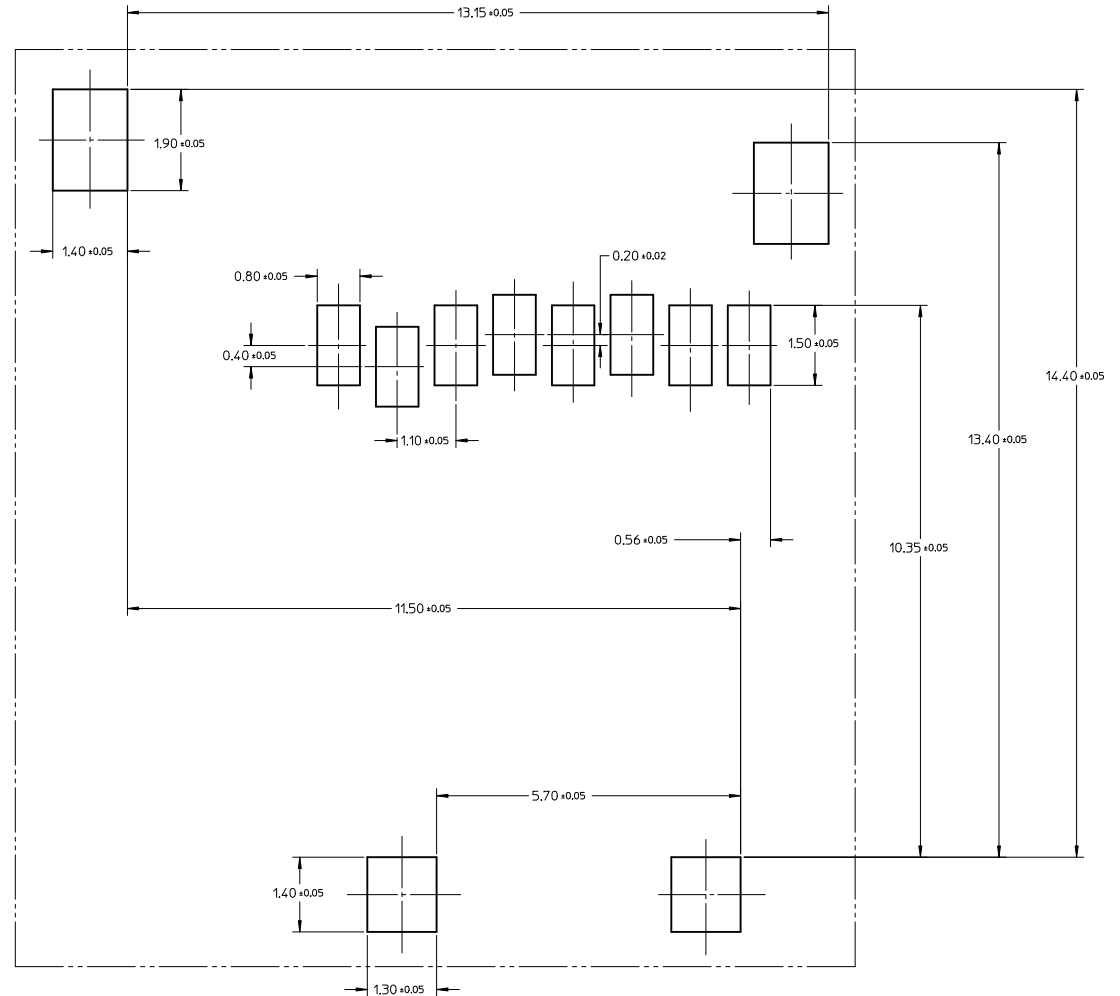
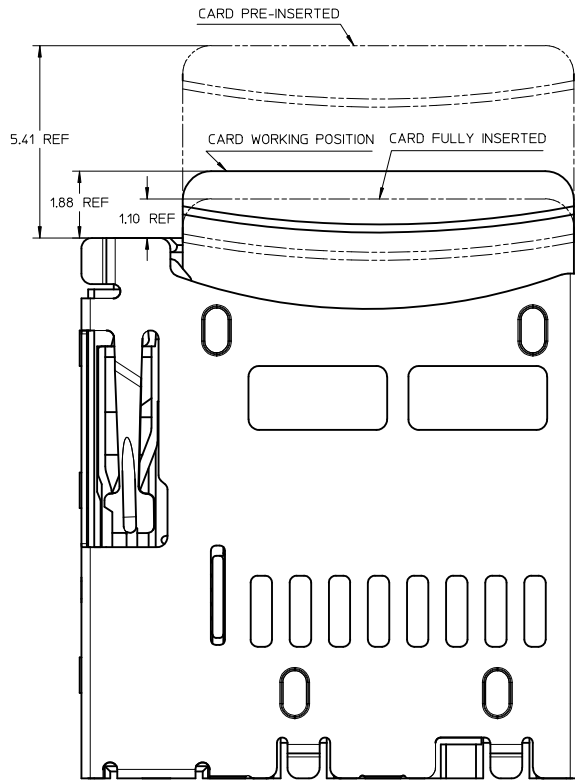
DETAIL 3



SECTION Z-Z



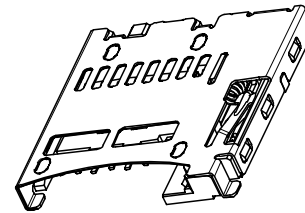
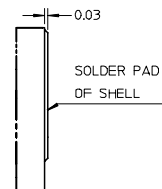
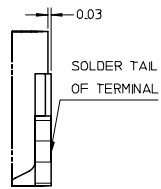
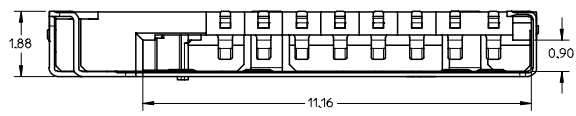
REVISED EC NO: SH2012-0215 DRAWN: GLLI CHKD: APPR: XJSONG	DESCRIPTION 2012/01/05 2012/01/16	QUALITY SYMBOLS		GENERAL TOLERANCES (UNLESS SPECIFIED)		DIMENSION STYLE MM ONLY		SCALE 5:1	DESIGN UNITS METRIC	THIRD ANGLE PROJECTION		
		▽=0	▽=0	▽=0	mm	INCH	DRAWN BY GLL I	DATE 2012/01/05	TITLE TFR/MICRO SD CARD READER PUSH PUSH TYPE WITHOUT DETECT PIN			
					4 PLACES ± ---	± ---	CHECKED BY	DATE	MOLEX INCORPORATED			
					3 PLACES ± ---	± ---	APPROVED BY XJSONG	DATE 2012/01/16	DOCUMENT NO. SD-47334-001			
					2 PLACES ± 0.15	± ---	MATERIAL NO. 47334-0001		SHEET NO. 1 OF 2			
					1 PLACE ± 0.30	± ---	THIS DRAWING CONTAINS INFORMATION THAT IS PROPRIETARY TO MOLEX INCORPORATED AND SHOULD NOT BE USED WITHOUT WRITTEN PERMISSION					
					ANGULAR ± 3°							
					DRAFT WHERE APPLICABLE MUST REMAIN WITHIN DIMENSIONS							



RECOMMENDED PCB LAYOUT

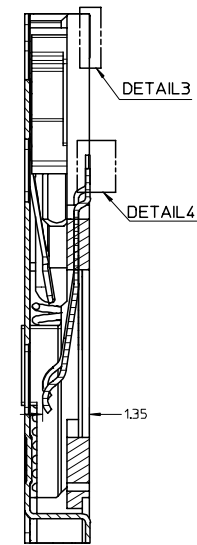
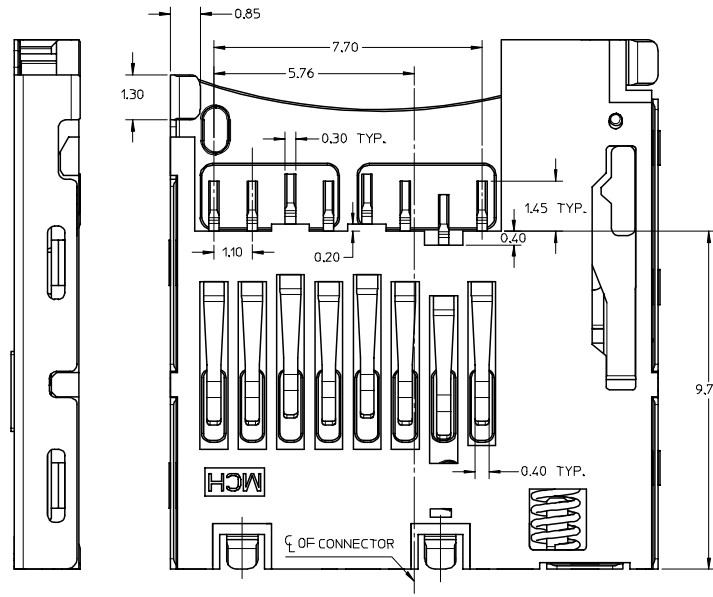
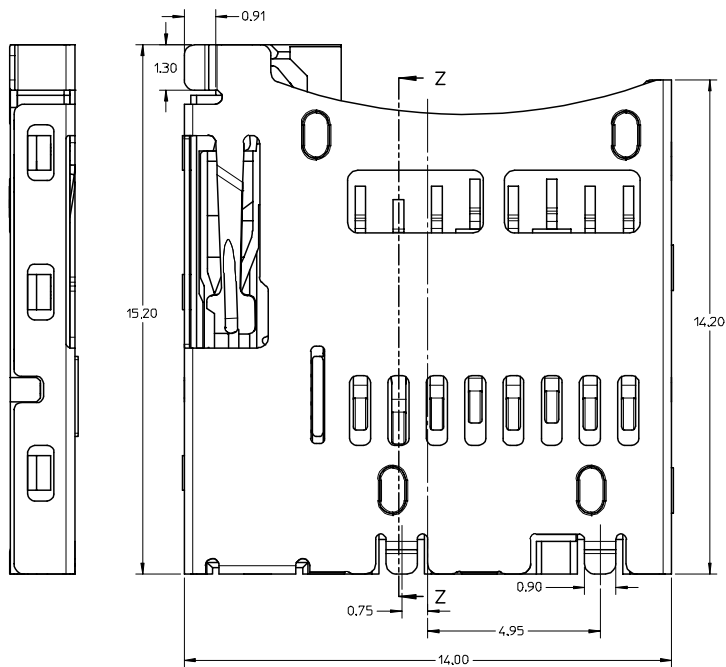
- NOTES:
- 1 MATERIAL:
 - 1-1 TERMINAL, FITTING NAIL : COPPER ALLOY.
 - 1-2 SHELL, CAM PIN, SPRING : STAINLESS STEEL.
 - 1-3 HOUSING : LCP, UL 94-V0, BLACK.
 - 1-4 CAM: NYLON 46.
 - 2 FINISH:
 - 2-1 TERMINAL : NICKEL UNDERPLATED, GOLD PLATING ON CONTACT AREA
TIN PLATING ON SOLDER TAIL
 - 2-2 SHELL : GOLD FLASH OVER NICKEL UNDERPLATED ON SOLDER PAD
 - 3 MECHANICAL SPECIFICATION:
 - REPEATED 5,000 TIMES MATING AND UNMATING CYCLES AND STILL MEET ELECTRICAL CHARACTERISTICS
 - 4 ELECTRICAL SPECIFICATION:
 - 4-1 RATED CURRENT (PER CONTACT) : 0.5AMPS MAX AND TEMPERATURE RISE SHOULD BE 30°C MAX
 - 4-2 INSULATION RESISTANCE(I.R) : 100 MEGOHMS MIN.
 - 4-3 DIELECTRIC WITHSTANDING VOLTAGE : 500 VAC
 - 4-4 CONTACT RESISTANCE: 100 MILLIOHMS MAX

REVISED EC NO: SF2012-0215 DRW:GLL CHKD: APPR:XJSONG 2012/01/05 2012/01/16	DESCRIPTION XJSONG	QUALITY SYMBOLS		GENERAL TOLERANCES (UNLESS SPECIFIED)		DIMENSION STYLE		SCALE	DESIGN UNITS	THIRD ANGLE PROJECTION	
		$\nabla=0$ $\nabla=0$ $\nabla=0$		mm INCH 4 PLACES ± --- ± --- 3 PLACES ± --- ± --- 2 PLACES ± 0.15 ± --- 1 PLACE ± 0.30 ± --- ANGULAR ± 3 °		MM ONLY DRAWN BY DATE GLLI 2012/01/05 CHECKED BY DATE		10:1	METRIC		
		DRAFT WHERE APPLICABLE MUST REMAIN WITHIN DIMENSIONS		APPROVED BY DATE XJSONG 2012/01/16 MATERIAL NO.		TITLE TFR/MICRO SD CARD READER PUSH PUSH TYPE WITHOUT DETECT PIN MOLEX INCORPORATED		DOCUMENT NO. SD-47334-001		SHEET NO. 2 OF 2	
		SIZE A2		THIS DRAWING CONTAINS INFORMATION THAT IS PROPRIETARY TO MOLEX INCORPORATED AND SHOULD NOT BE USED WITHOUT WRITTEN PERMISSION							

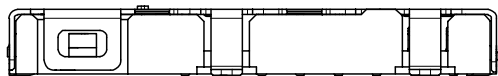


DETAIL 4

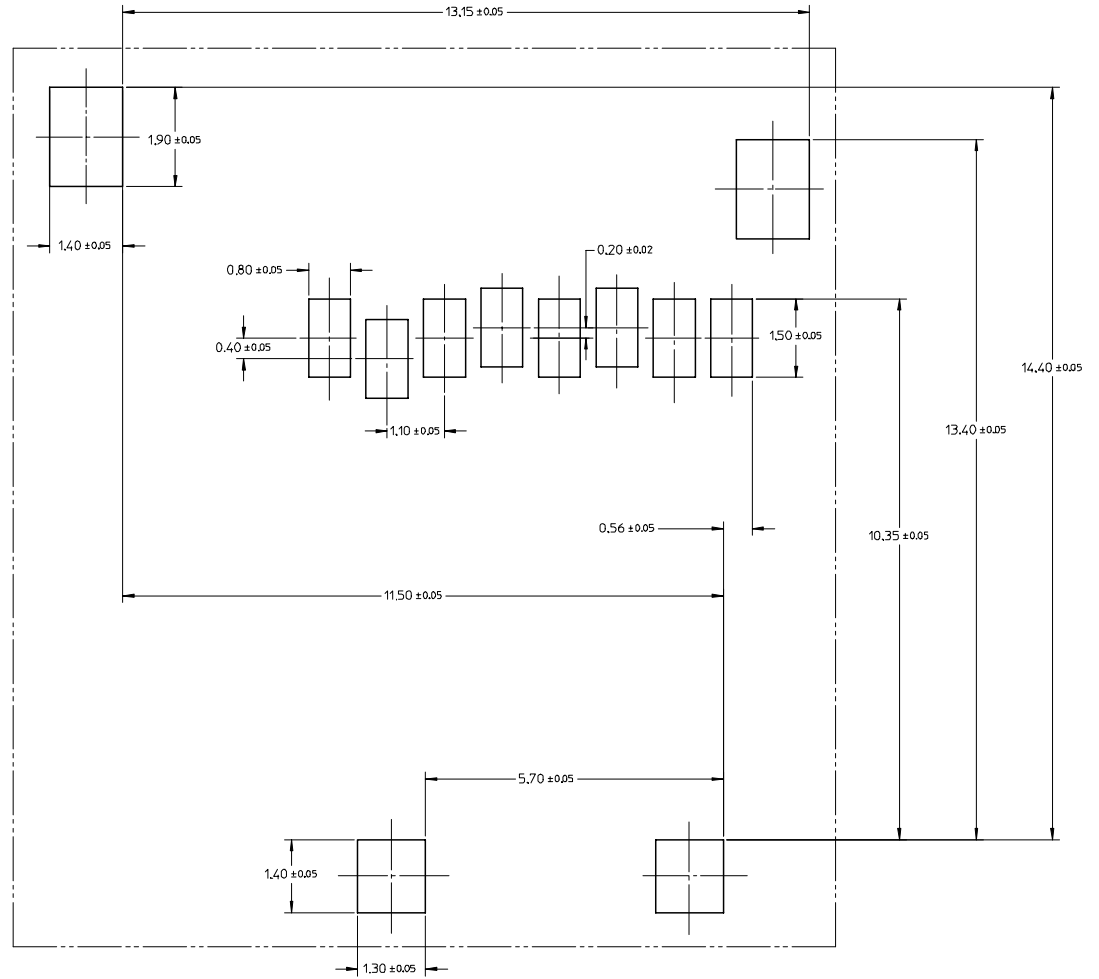
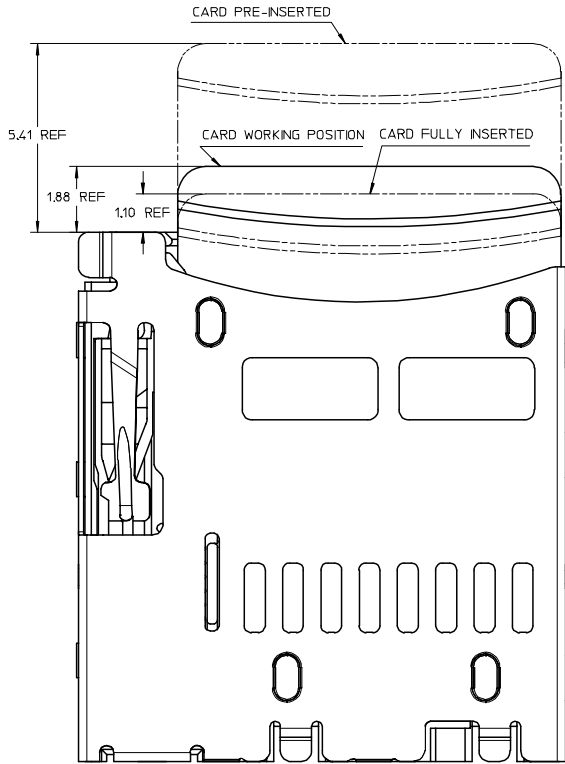
DETAIL 3



SECTION Z-Z



REVISED EEC NO.: SH2007-0499 2007/02/12 CHFKO: XU XIANG APPR: JNCHEN 2007/03/16	DESCRIPTION TFR&MICRO SD CARD READER PUSH PUSH TYPE WITHOUT DETECT SWITCH	QUALITY SYMBOLS ▽=0 ▽=0		GENERAL TOLERANCES (UNLESS SPECIFIED)		DIMENSION STYLE MM ONLY		SCALE 5:1	DESIGN UNITS METRIC	THIRD ANGLE PROJECTION																			
		<table border="1"> <thead> <tr> <th></th> <th>mm</th> <th>INCH</th> </tr> </thead> <tbody> <tr> <td>4 PLACES</td> <td>± ---</td> <td>± ---</td> </tr> <tr> <td>3 PLACES</td> <td>± ---</td> <td>± ---</td> </tr> <tr> <td>2 PLACES</td> <td>± 0.15</td> <td>± ---</td> </tr> <tr> <td>1 PLACE</td> <td>± ---</td> <td>± ---</td> </tr> <tr> <td colspan="3">ANGULAR ±1/2°</td> </tr> </tbody> </table>			mm	INCH	4 PLACES	± ---	± ---	3 PLACES	± ---	± ---	2 PLACES	± 0.15	± ---	1 PLACE	± ---	± ---	ANGULAR ±1/2°			DRAWN BY XIXU		DATE 2006/03/25		TITLE TFR&MICRO SD CARD READER PUSH PUSH TYPE WITHOUT DETECT SWITCH			
			mm	INCH																									
		4 PLACES	± ---	± ---																									
3 PLACES	± ---	± ---																											
2 PLACES	± 0.15	± ---																											
1 PLACE	± ---	± ---																											
ANGULAR ±1/2°																													
CHECKED BY XIXU		DATE 2006/03/28		APPROVED BY JNCHEN		DATE 2006/03/29		MOLEX INCORPORATED																					
DRAFT WHERE APPLICABLE MUST REMAIN WITHIN DIMENSIONS		MATERIAL NO. 473340001		DOCUMENT NO. SD-47334-001		SHEET NO. 1 OF 2																							

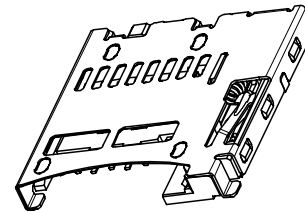
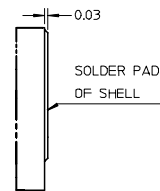
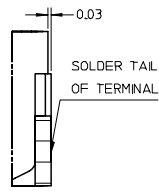
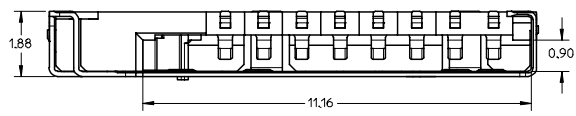


RECOMMENDED PCB LAYOUT

NOTES:

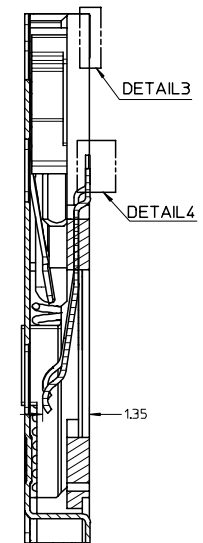
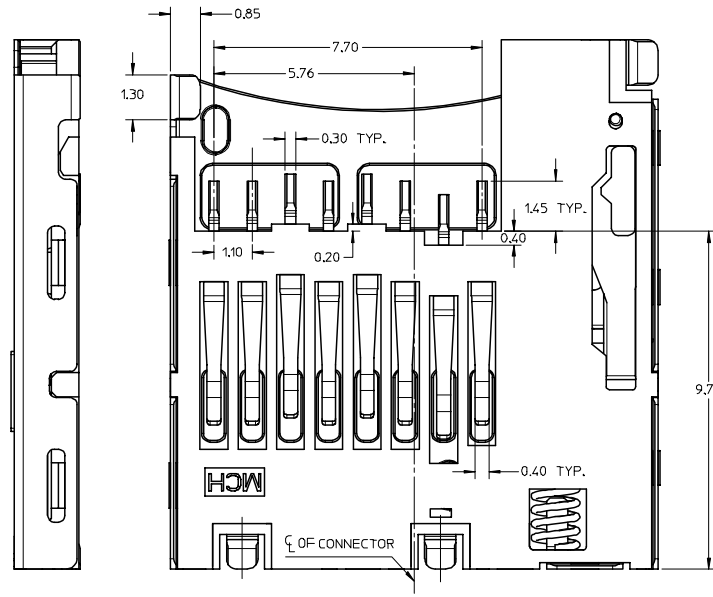
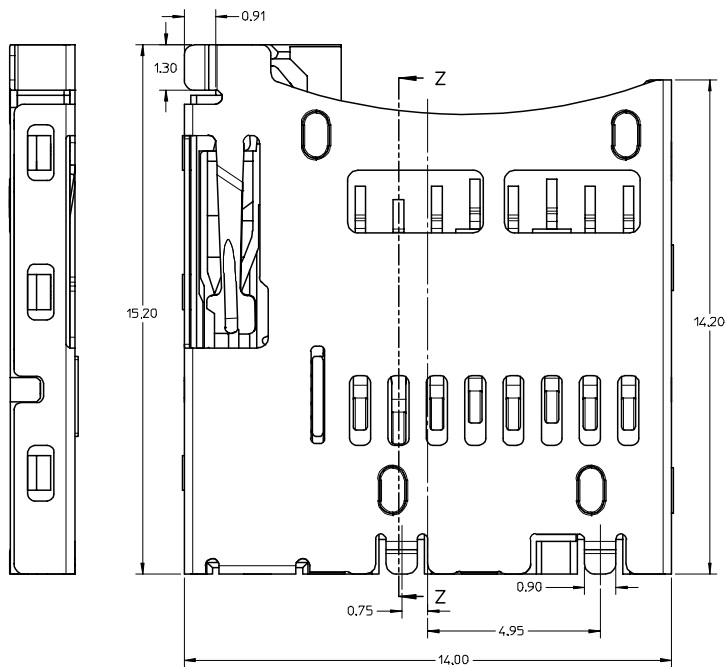
- 1 MATERIAL:
 - 1-1 TERMINAL, FITTING NAIL : COPPER ALLOY
 - 1-2 SHELL, CAM PIN, SPRING : STAINLESS STEEL
 - 1-3 HOUSING, CAM : LCP, UL 94-V0, BLACK
- 2 FINISH:
 - 2-1 TERMINAL : NICKEL UNDERPLATED, GOLD PLATING ON CONTACT AREA
TIN PLATING ON SOLDER TAIL
 - 2-2 SHELL : GOLD FLASH OVER NICKEL UNDERPLATED ON SOLDER PAD
- 3 MECHANICAL SPECIFICATION:
 - REPEATED 5,000 TIMES MATING AND UNMATING CYCLES AND STILL MEET ELECTRICAL CHARACTERISTICS
- 4 ELECTRICAL SPECIFICATION:
 - 4-1 RATED CURRENT (PER CONTACT) : 0.5AMPS MAX AND TEMPERATURE RISE SHOULD BE 30°C MAX
 - 4-2 INSULATION RESISTANCE(IR) : 100 MEGOHMS MIN.
 - 4-3 DIELECTRIC WITHSTANDING VOLTAGE : 500 VAC
 - 4-4 CONTACT RESISTANCE: 100 MILLIOHMS MAX

REVISED EIC NO. SH2007-0499 DRWN: ZHOU CHKD: XU XIANG APPR: JINCHEN 2007/02/12 2007/03/16	DESCRIPTION 2007/03/16	QUALITY SYMBOLS	GENERAL TOLERANCES (UNLESS SPECIFIED)	DIMENSION STYLE	SCALE	DESIGN UNITS	THIRD ANGLE PROJECTION															
		$\nabla=0$ $\nabla=0$	<table border="1"> <tr> <th></th> <th>mm</th> <th>INCH</th> </tr> <tr> <td>4 PLACES</td> <td>±---</td> <td>±---</td> </tr> <tr> <td>3 PLACES</td> <td>±---</td> <td>±---</td> </tr> <tr> <td>2 PLACES</td> <td>±0.15</td> <td>±---</td> </tr> <tr> <td>1 PLACE</td> <td>±---</td> <td>±---</td> </tr> </table>		mm	INCH	4 PLACES	±---	±---	3 PLACES	±---	±---	2 PLACES	±0.15	±---	1 PLACE	±---	±---	MM ONLY	10:1	METRIC	
			mm	INCH																		
		4 PLACES	±---	±---																		
3 PLACES	±---	±---																				
2 PLACES	±0.15	±---																				
1 PLACE	±---	±---																				
DRAFT WHERE APPLICABLE MUST REMAIN WITHIN DIMENSIONS	<table border="1"> <tr> <td>DRAWN BY</td> <td>DATE</td> </tr> <tr> <td>XIXU</td> <td>2006/03/25</td> </tr> <tr> <td>CHECKED BY</td> <td>DATE</td> </tr> <tr> <td>XIXU</td> <td>2006/03/28</td> </tr> <tr> <td>APPROVED BY</td> <td>DATE</td> </tr> <tr> <td>JNCHEN</td> <td>2006/03/29</td> </tr> </table>	DRAWN BY	DATE	XIXU	2006/03/25	CHECKED BY	DATE	XIXU	2006/03/28	APPROVED BY	DATE	JNCHEN	2006/03/29	TITLE TFR&MICRO SD CARD READER PUSH PUSH TYPE WITHOUT DETECT SWITCH								
DRAWN BY	DATE																					
XIXU	2006/03/25																					
CHECKED BY	DATE																					
XIXU	2006/03/28																					
APPROVED BY	DATE																					
JNCHEN	2006/03/29																					
MATERIAL NO. 473340001		DOCUMENT NO. SD-47334-001		SHEET NO. 2 OF 2																		

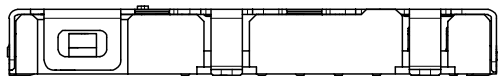


DETAIL 4

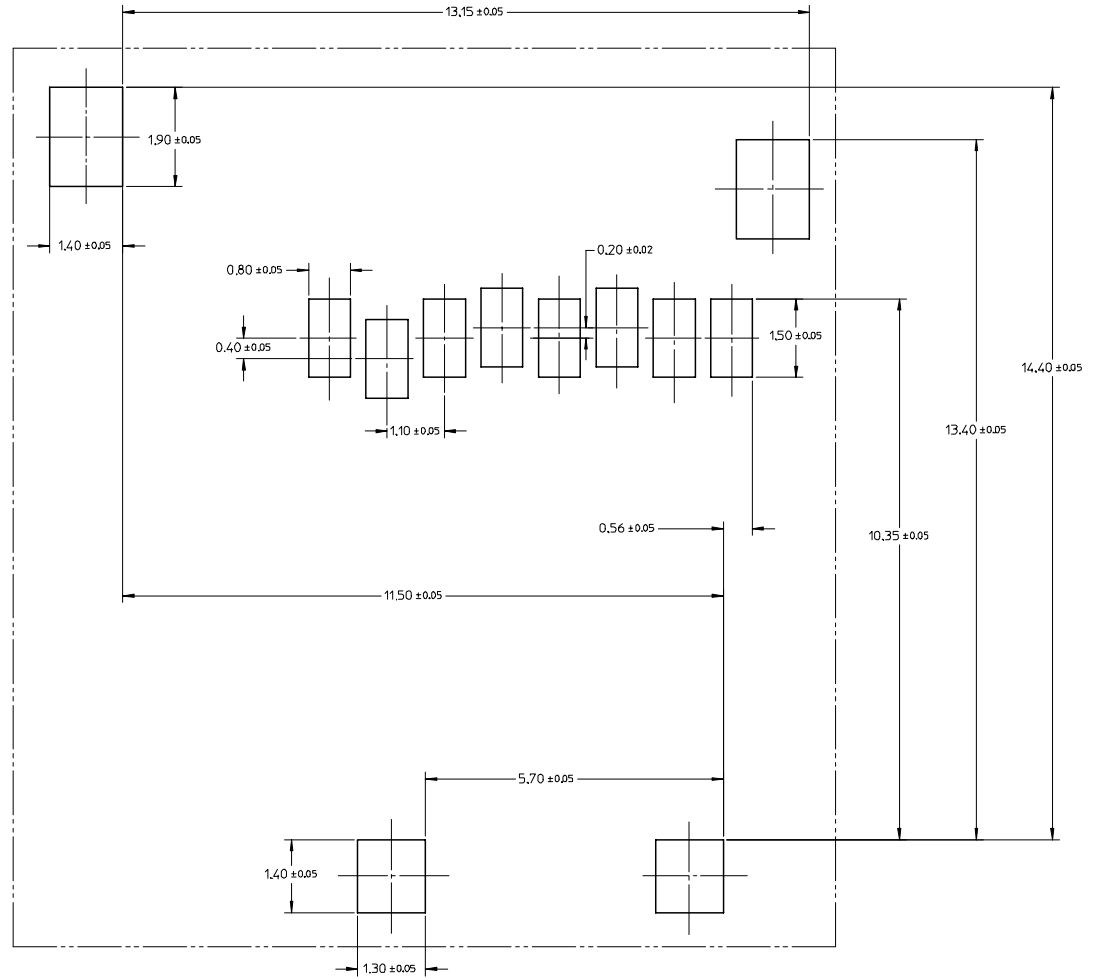
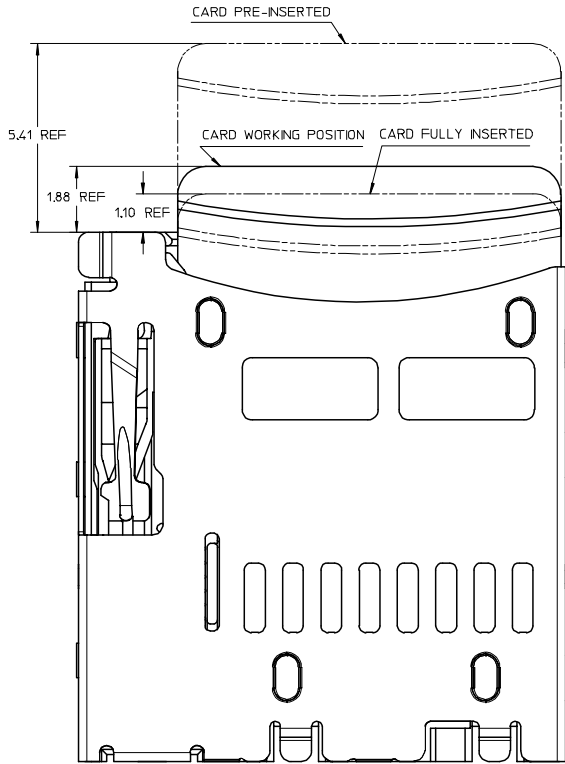
DETAIL 3



SECTION Z-Z



REVISED EEC NO.: SH2007-0499 DRAWN: ZHOU 2007/02/12 CHKD: XU XIANG APPR: JINCHEN 2007/03/16 REV DESCRIPTION	QUALITY SYMBOLS	GENERAL TOLERANCES (UNLESS SPECIFIED)	DIMENSION STYLE	SCALE	DESIGN UNITS	THIRD ANGLE PROJECTION
	$\nabla=0$ $\nabla=0$	4 PLACES ± --- ± --- 3 PLACES ± --- ± --- 2 PLACES ± 0.15 ± --- 1 PLACE ± --- ± --- ANGULAR ± 1/2°	MM ONLY	5:1	METRIC	
			DRAWN BY	DATE	TITLE	
			CHECKED BY	DATE	TFR&MICRO SD CARD READER PUSH PUSH TYPE WITHOUT DETECT SWITCH	
			APPROVED BY	DATE	MOLEX INCORPORATED	
			MATERIAL NO.	DOCUMENT NO.	SHEET NO.	
		DRAFT WHERE APPLICABLE MUST REMAIN WITHIN DIMENSIONS	473340001	SD-47334-001	1 OF 2	
			SIZE	THIS DRAWING CONTAINS INFORMATION THAT IS PROPRIETARY TO MOLEX INCORPORATED AND SHOULD NOT BE USED WITHOUT WRITTEN PERMISSION		
			A2			



RECOMMENDED PCB LAYOUT

NOTES:

- 1 MATERIAL:
 - 1-1 TERMINAL, FITTING NAIL : COPPER ALLOY
 - 1-2 SHELL, CAM PIN, SPRING : STAINLESS STEEL
 - 1-3 HOUSING, CAM : LCP, UL 94-V0, BLACK
- 2 FINISH:
 - 2-1 TERMINAL : NICKEL UNDERPLATED, GOLD PLATING ON CONTACT AREA
TIN PLATING ON SOLDER TAIL
 - 2-2 SHELL : GOLD FLASH OVER NICKEL UNDERPLATED ON SOLDER PAD
- 3 MECHANICAL SPECIFICATION:
 - REPEATED 5,000 TIMES MATING AND UNMATING CYCLES AND STILL MEET ELECTRICAL CHARACTERISTICS
- 4 ELECTRICAL SPECIFICATION:
 - 4-1 RATED CURRENT (PER CONTACT) : 0.5AMPS MAX AND TEMPERATURE RISE SHOULD BE 30°C MAX
 - 4-2 INSULATION RESISTANCE(IR) : 100 MEGOHMS MIN.
 - 4-3 DIELECTRIC WITHSTANDING VOLTAGE : 500 VAC
 - 4-4 CONTACT RESISTANCE: 100 MILLIOHMS MAX

REVISED EIC NO.: SH2007-0499 DRWN: ZHOU CHKD: XU XIANG APPR: JINCHEN 2007/02/12 2007/03/16	DESCRIPTION 2007/03/16	QUALITY SYMBOLS	GENERAL TOLERANCES (UNLESS SPECIFIED)	DIMENSION STYLE	SCALE	DESIGN UNITS	THIRD ANGLE PROJECTION																		
		$\nabla=0$ $\nabla=0$	<table border="1"> <tr> <th></th> <th>mm</th> <th>INCH</th> </tr> <tr> <td>4 PLACES</td> <td>± ---</td> <td>± ---</td> </tr> <tr> <td>3 PLACES</td> <td>± ---</td> <td>± ---</td> </tr> <tr> <td>2 PLACES</td> <td>± 0.15</td> <td>± ---</td> </tr> <tr> <td>1 PLACE</td> <td>± ---</td> <td>± ---</td> </tr> <tr> <td colspan="3">ANGULAR ±1/2°</td> </tr> </table>		mm	INCH	4 PLACES	± ---	± ---	3 PLACES	± ---	± ---	2 PLACES	± 0.15	± ---	1 PLACE	± ---	± ---	ANGULAR ±1/2°			MM ONLY	10:1	METRIC	<input checked="" type="checkbox"/> THIRD ANGLE PROJECTION
			mm	INCH																					
		4 PLACES	± ---	± ---																					
3 PLACES	± ---	± ---																							
2 PLACES	± 0.15	± ---																							
1 PLACE	± ---	± ---																							
ANGULAR ±1/2°																									
DRAWN BY: XIXU CHECKED BY: XIXU APPROVED BY: JNCHEN DATE: 2006/03/25 DATE: 2006/03/28 DATE: 2006/03/29	TITLE TFR&MICRO SD CARD READER PUSH PUSH TYPE WITHOUT DETECT SWITCH		MATERIAL NO. 473340001		DOCUMENT NO. SD-47334-001		SHEET NO. 2 OF 2																		
DRAFT WHERE APPLICABLE MUST REMAIN WITHIN DIMENSIONS			THIS DRAWING CONTAINS INFORMATION THAT IS PROPRIETARY TO MOLEX INCORPORATED AND SHOULD NOT BE USED WITHOUT WRITTEN PERMISSION																						