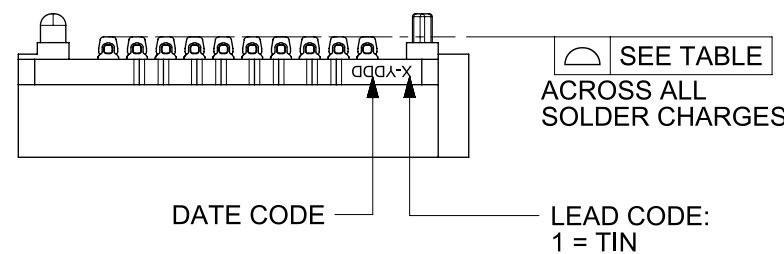
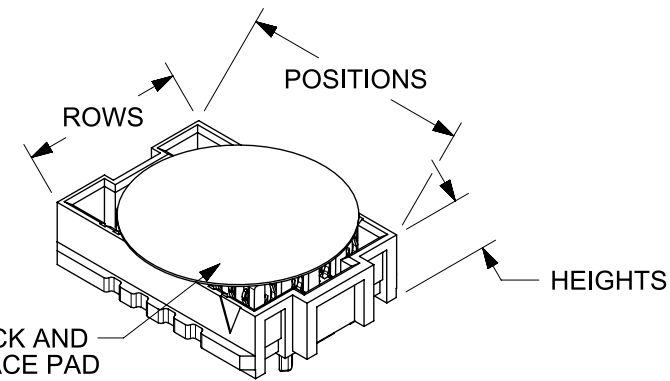


10 ROW  
10 POSITION  
SHOWN

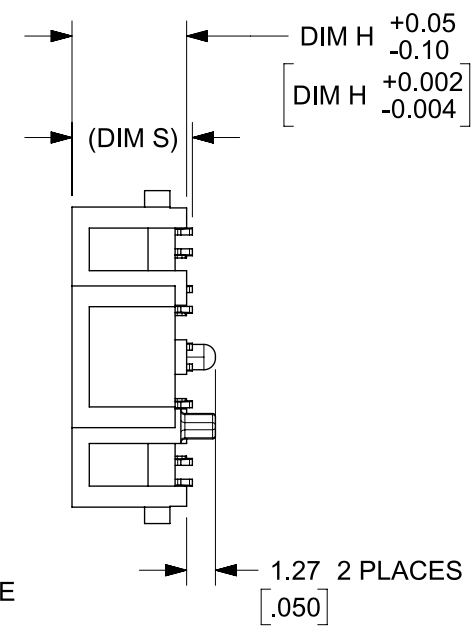
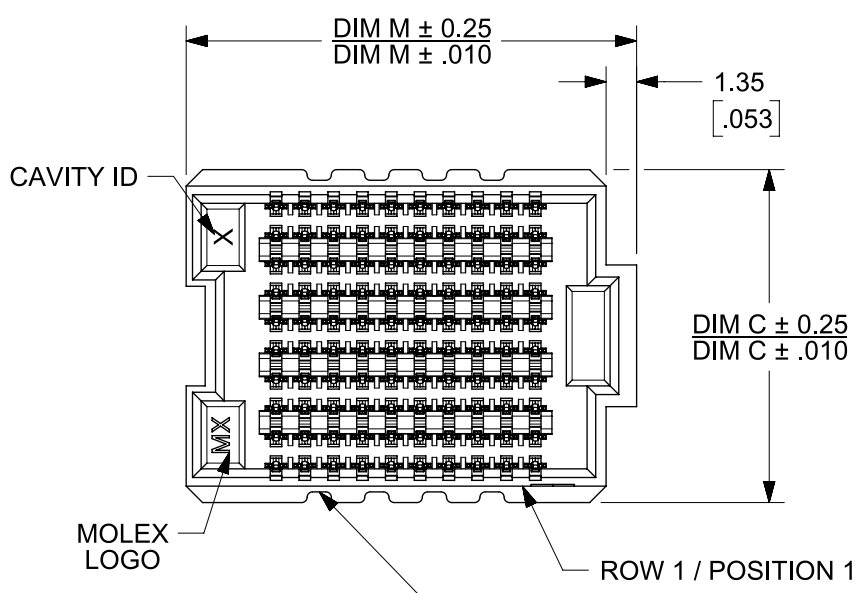
- NOTES:
- MATERIALS: HOUSING: GLASS FILLED LCP (LIQUID CRYSTAL POLYMER), UL94V-0, BLACK  
CONTACTS: COPPER ALLOY  
SOLDER CHARGE: 95% TIN, 3.8% SILVER, 0.7% COPPER
  - FINISH: SELECT GOLD IN CONTACT AREA: 30 MICROINCH MINIMUM  
SELECT TIN IN TAIL, 50 MICROINCH MINIMUM  
OVERALL NICKEL UNDERPLATE
  - PRODUCT SPECIFICATION: PS-45970-001
  - PACKAGING SPECIFICATION: PK-45971-002 (TAPE AND REEL)
  - MATES WITH SEARAY PLUG ASSEMBLY SERIES 45970
  - APPLICATION SPECIFICATION: AS-45970-001
  - COSMETIC SPECIFICATION: PS-45499-002 CLASS B
  - PART STATUS: CONTACT MOLEX



NOTE: THESE CODES MAY BE LOCATED ON EITHER SIDE OF THE HOUSING



POSITIONS	TOTAL NUMBER OF EDGE NOTCHES	
10	8	0.15/.006
15	14	
20	18	
25	24	
30	28	
35	34	0.23/.009
40	38	
45	44	
50	48	



SEE SHEET 2 FOR DIAMETERS

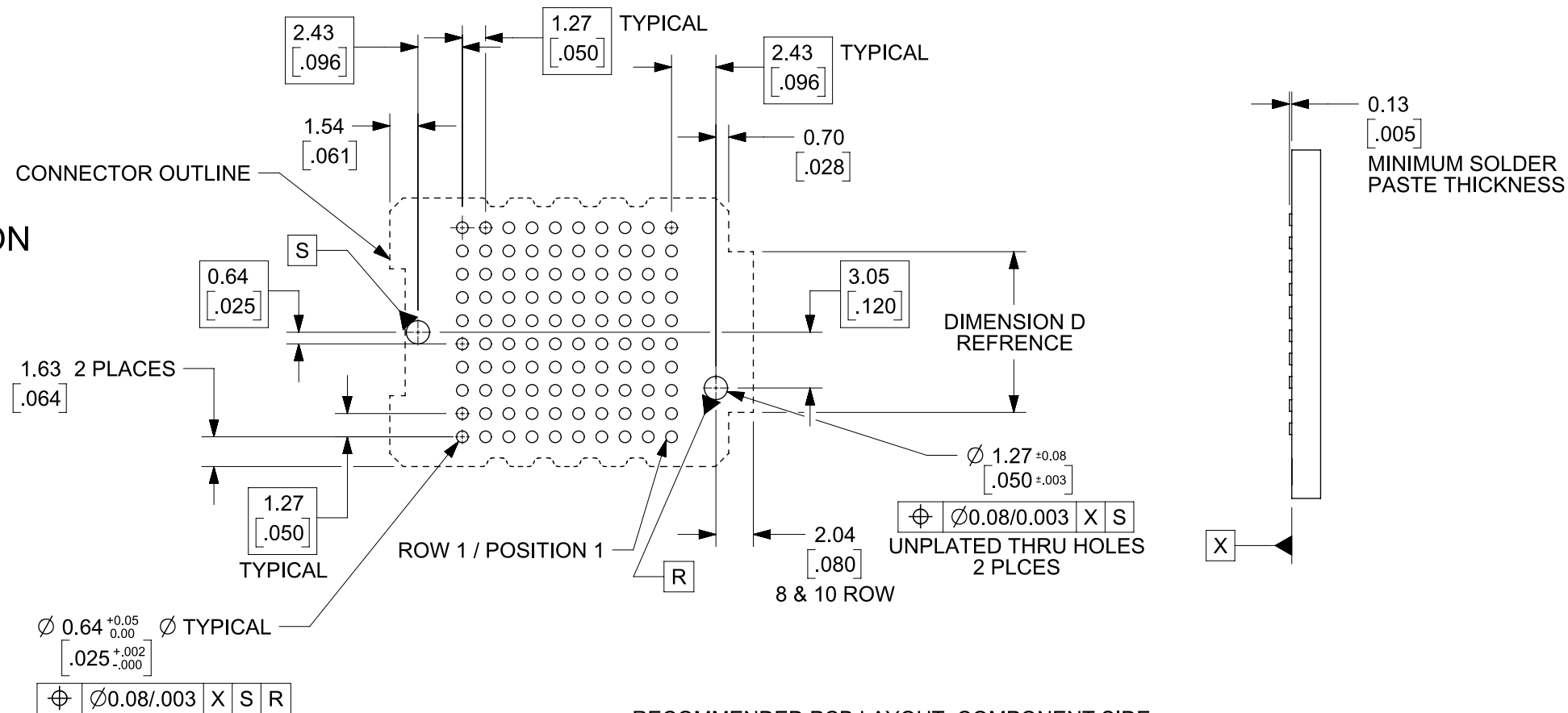
SEE SHEET 3 FOR 8 ROW GEOMETRY & SEE SHEET 4 FOR 6 ROW GEOMETRY

EDGE NOTCHES- SEE TABLE (THE NUMBER OF NOTCHES INCREASES AS THE NUMBER OF POSITIONS INCREASES)

THIS DRAWING CONTAINS INFORMATION THAT IS PROPRIETARY TO MOLEX ELECTRONIC TECHNOLOGIES, LLC AND SHOULD NOT BE USED WITHOUT WRITTEN PERMISSION

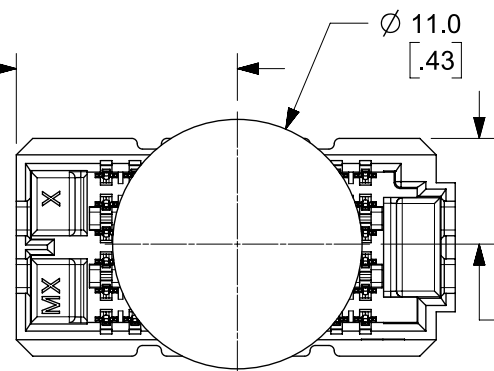
DIMENSION UNITS	SCALE	CURRENT REV DESC: OBSOLETE PART NUMBERS		<b>molex</b>			
MM/IN	3:1						
GENERAL TOLERANCES (UNLESS SPECIFIED)				SEARAY RECEPTACLE ASSEMBLY 1.27/.050 CENTERS			
ANGULAR TOL	± °	EC NO: 661197		PRODUCT CUSTOMER DRAWING			
4 PLACES	±	DRWN: SANTHN 2021/02/09		DOCUMENT NUMBER			
3 PLACES	±	CHK'D: GGA 2021/04/26		SD-45971-001			
2 PLACES	± 0.25	APPR: GGA 2021/04/26		DOC TYPE DOC PART REVISION			
1 PLACE	± 0.38	INITIAL REVISION:		PSD 001 Y4			
0 PLACES	±	DRWN: TREGORI 2005/05/17		MATERIAL NUMBER			
		APPR: JCOMERCI 2010/03/05		CUSTOMER			
DRAFT WHERE APPLICABLE MUST REMAIN WITHIN DIMENSIONS		THIRD ANGLE PROJECTION	DRAWING	SERIES	SHEET NUMBER		
			B-SIZE	45971	SEE TABLE SHEET NO 5		1 OF 5

10 ROW  
10 POSITION  
SHOWN



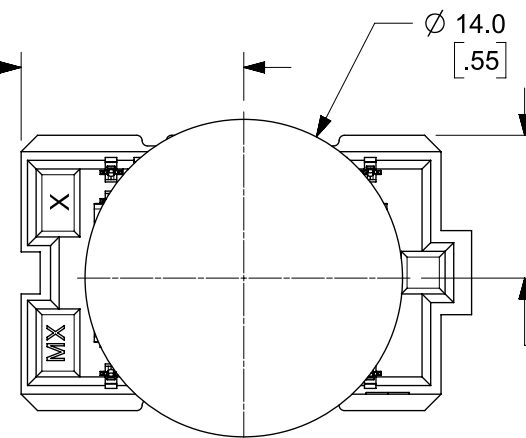
RECOMMENDED PCB LAYOUT: COMPONENT SIDE  
SOLDER SCREEN APERTURE SIZE: .890/.035 DIAMETER  
PCB THICKNESS: NA

DIM M/2 ±1.52  
DIM M/2 ±0.060  
PAD  
LOCATION



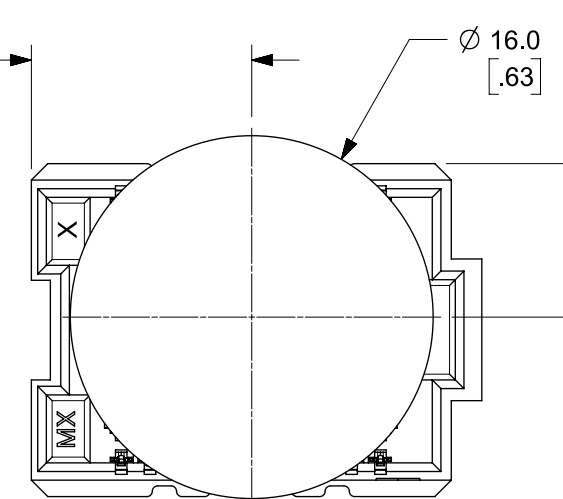
6 ROW OPTION

DIM M/2 ±1.52  
DIM M/2 ±0.060  
PAD  
LOCATION



8 ROW OPTION

DIM M/2 ±1.52  
DIM M/2 ±0.60  
PAD  
LOCATION



10 ROW OPTION

DIM C/2 ±1.52  
DIM C/2 ±0.060  
PAD  
LOCATION

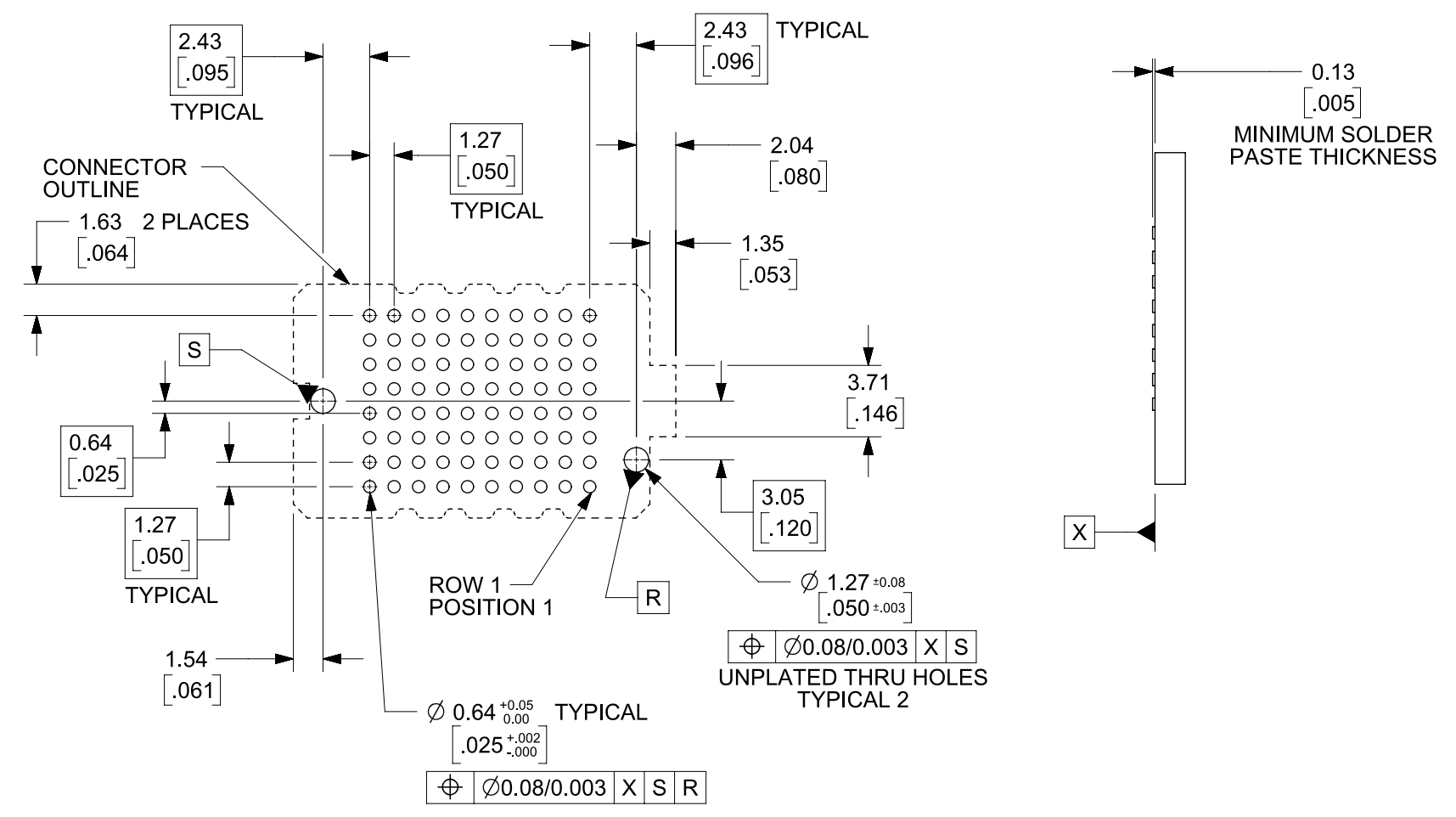
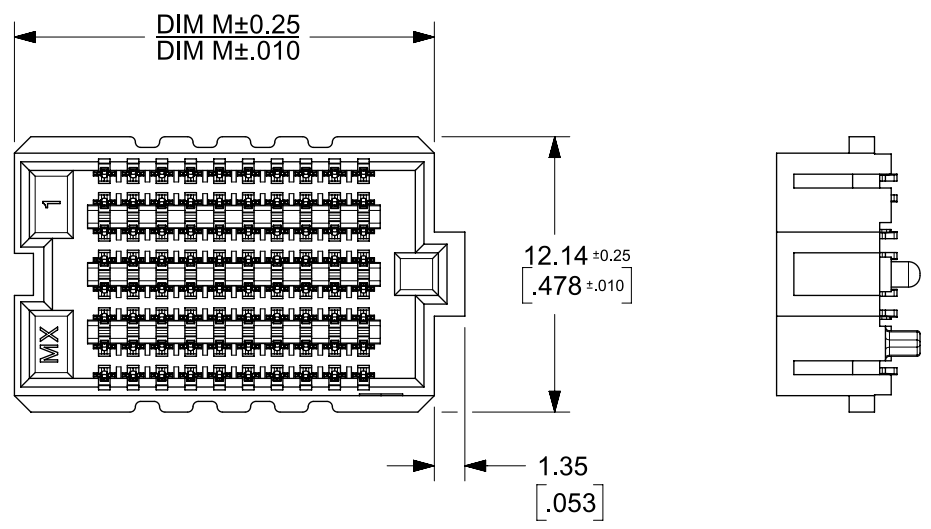
DIM C/2 ±1.52  
DIM C/2 ±0.60  
PAD  
LOCATION

DIM C/2 ±1.52  
DIM C/2 ±0.60  
PAD  
LOCATION

# PICK AND PLACE PAD DIAMETERS 10 POSITION VERSIONS SHOWN

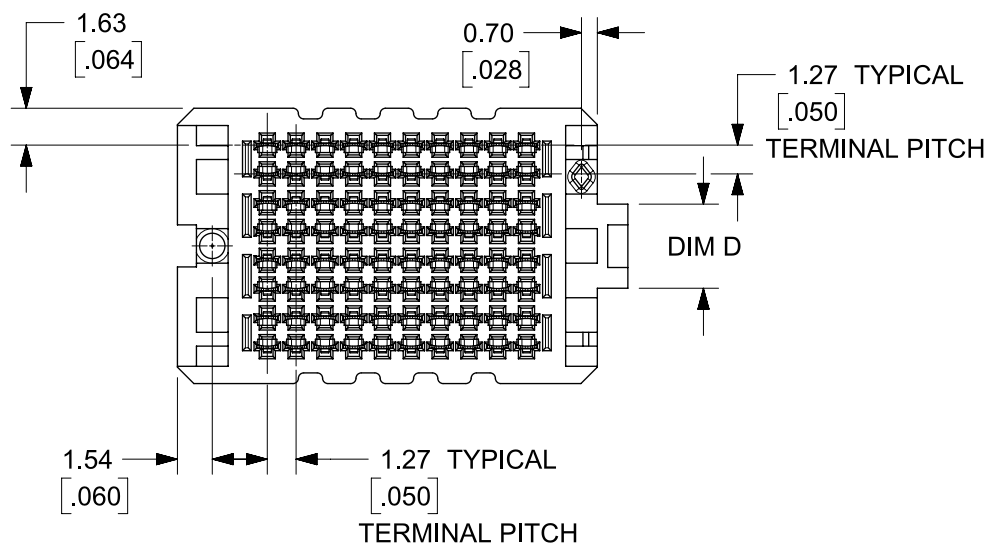
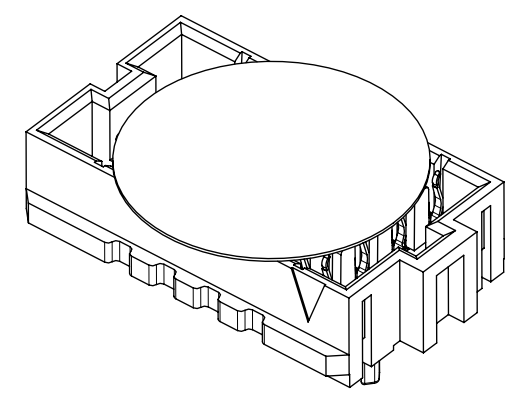
THIS DRAWING CONTAINS INFORMATION THAT IS PROPRIETARY TO MOLEX ELECTRONIC TECHNOLOGIES, LLC AND SHOULD NOT BE USED WITHOUT WRITTEN PERMISSION

DIMENSION UNITS <b>MM/IN</b>	SCALE <b>3:1</b>	CURRENT REV DESC: OBSOLETE PART NUMBERS		<b>molex</b>		
GENERAL TOLERANCES (UNLESS SPECIFIED)		EC NO: 661197				
ANGULAR TOL ± °		DRWN: SANTHN	2021/02/09	PRODUCT CUSTOMER DRAWING		
4 PLACES ±		CHK'D: GGA	2021/04/26	DOCUMENT NUMBER		
3 PLACES ±		APPR: GGA	2021/04/26	SD-45971-001		
2 PLACES ± 0.25		INITIAL REVISION:		DOC TYPE	DOC PART	REVISION
1 PLACE ± 0.38		DRWN: TREGORI	2005/05/17	PSD	001	Y4
0 PLACES ±		APPR: JCOMERCI	2010/03/05	SHEET NUMBER		
DRAFT WHERE APPLICABLE MUST REMAIN WITHIN DIMENSIONS	THIRD ANGLE PROJECTION	DRAWING	SERIES	MATERIAL NUMBER	CUSTOMER	
		B-SIZE	45971	SEE TABLE SHEET NO 5	GENERAL MARKET	2 OF 5



RECOMMENDED PCB LAYOUT: COMPONENT SIDE  
SOLDER SCREEN APERTURE SIZE: 0.089/0.035 DIAMETER  
PCB THICKNESS: N/A

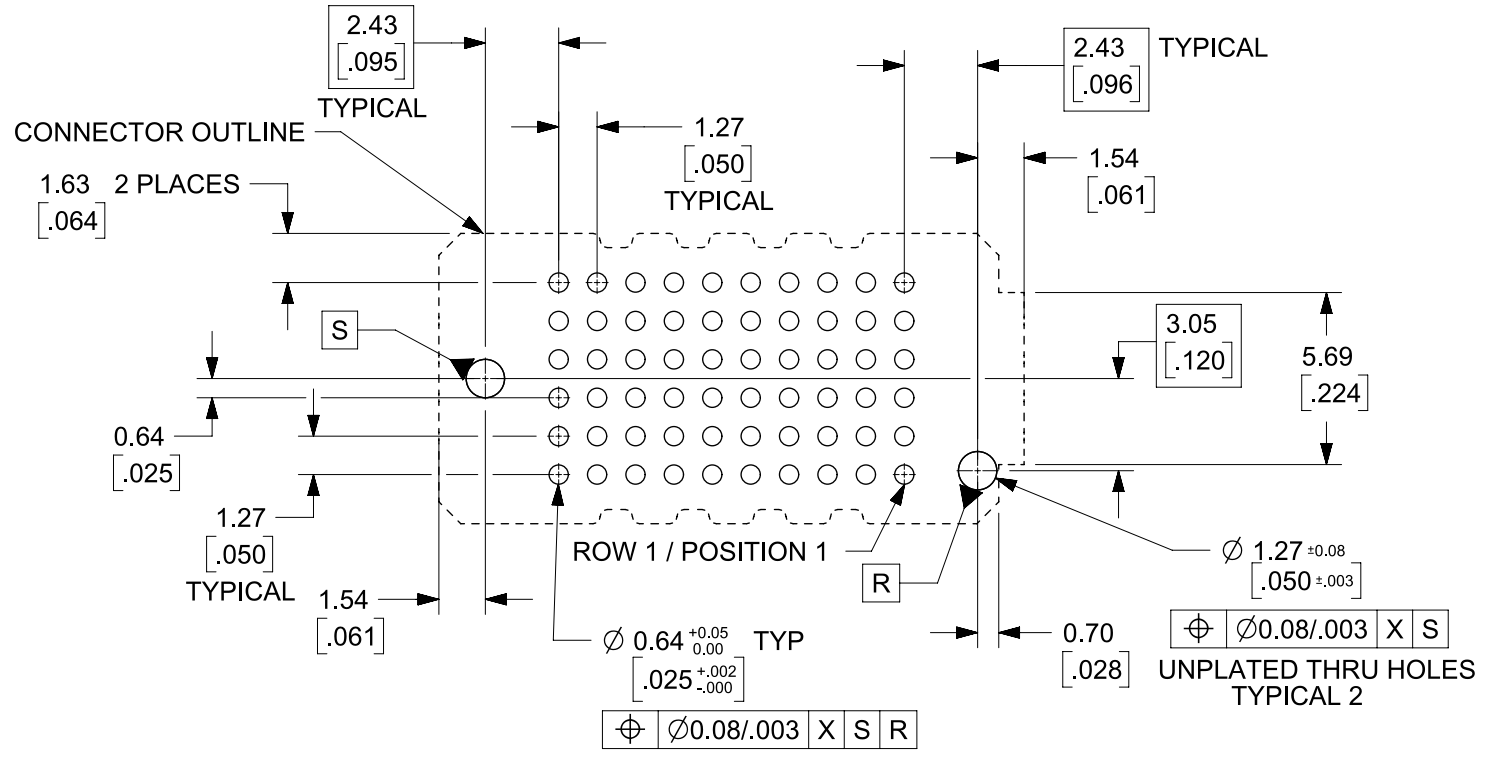
8 ROW 10 POSITION SHOWN



SEE SHEET 4 FOR 6 ROW GEOMETRY

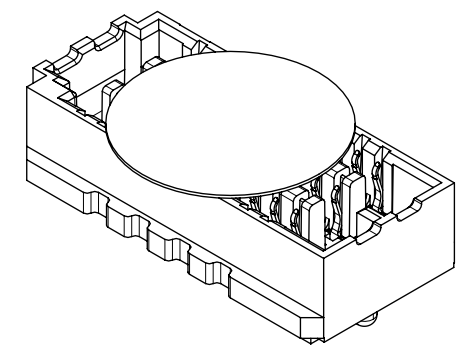
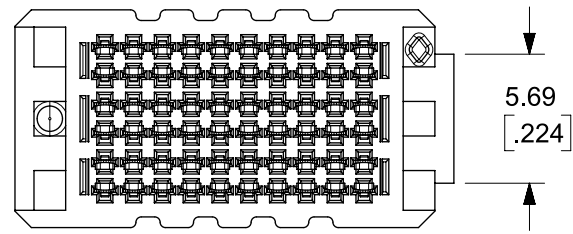
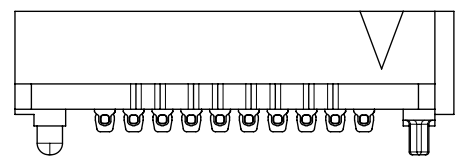
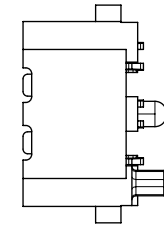
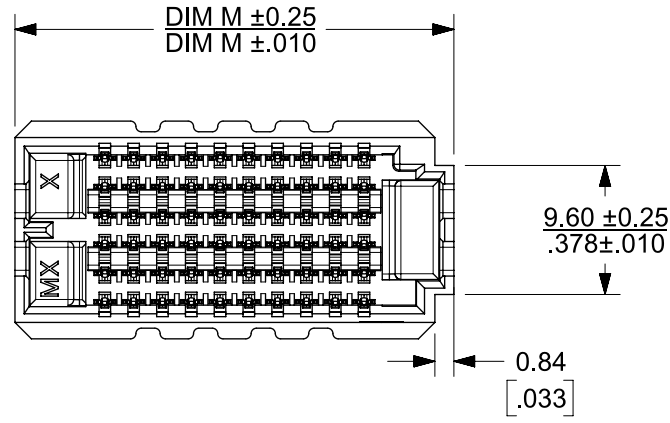
THIS DRAWING CONTAINS INFORMATION THAT IS PROPRIETARY TO MOLEX ELECTRONIC TECHNOLOGIES, LLC AND SHOULD NOT BE USED WITHOUT WRITTEN PERMISSION											
DIMENSION UNITS		SCALE		CURRENT REV DESC: OBSOLETE PART NUMBERS							
MM/IN		3:1									
GENERAL TOLERANCES (UNLESS SPECIFIED)				EC NO: 661197		2021/02/09		RECEPTACLE ASSEMBLY 1.27/.050 CENTERS			
ANGULAR TOL ± °				DRWN: SANTHN		2021/04/26		PRODUCT CUSTOMER DRAWING			
4 PLACES ±				CHK'D: GGA		2021/04/26		DOCUMENT NUMBER		DOC TYPE DOC PART REVISION	
3 PLACES ±				APPR: GGA		2021/04/26		SD-45971-001		PSD 001 Y4	
2 PLACES ± 0.25				INITIAL REVISION:		2005/05/17		MATERIAL NUMBER		CUSTOMER	
1 PLACE ± 0.38				DRWN: TGREGORI		2010/03/05		SEE TABLE SHEET NO 5		GENERAL MARKET	
0 PLACES ±				APPR: JCOMERCI				SHEET NUMBER		3 OF 5	
DRAFT WHERE APPLICABLE MUST REMAIN WITHIN DIMENSIONS				THIRD ANGLE PROJECTION		DRAWING		SERIES		SHEET NUMBER	
						B-SIZE		45971			

6 ROW  
10 POSITION



0.13  
[.005]  
MINIMUM SOLDER  
PASTE THICKNESS

RECOMMENDED PCB LAYOUT: COMPONENT SIDE  
SOLDER SCREEN APERTURE SIZE: .089/.035 DIAMETER  
PCB THICKNESS: NA

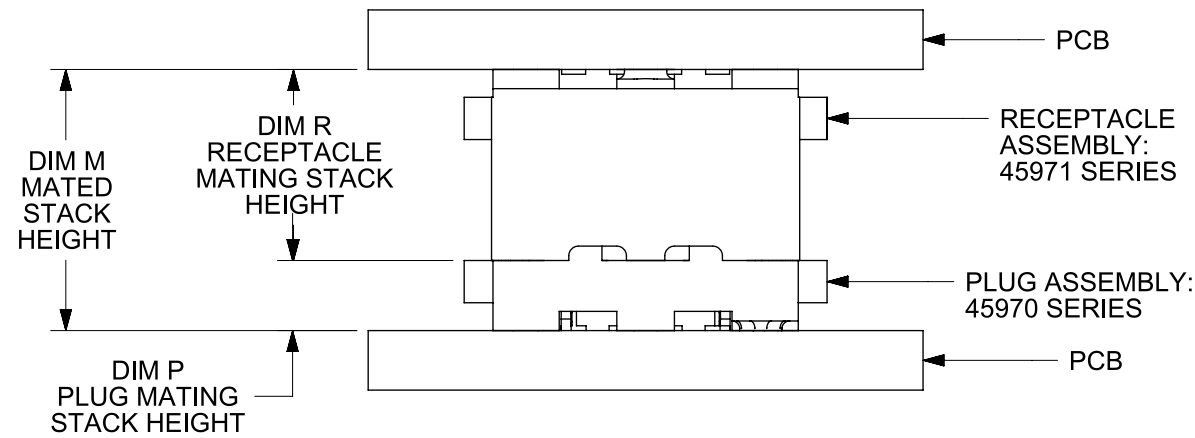


6 ROW  
10 POSITION  
SHOWN

THIS DRAWING CONTAINS INFORMATION THAT IS PROPRIETARY TO MOLEX ELECTRONIC TECHNOLOGIES, LLC AND SHOULD NOT BE USED WITHOUT WRITTEN PERMISSION									
DIMENSION UNITS		SCALE		CURRENT REV DESC: OBSOLETE PART NUMBERS					
MM/IN		3:1		<p style="text-align: center;"><b>molex</b></p> <p style="text-align: center;">SEARAY RECEPTACLE ASSEMBLY 1.27/.050 CENTERS</p> <p style="text-align: center;">PRODUCT CUSTOMER DRAWING</p>					
GENERAL TOLERANCES (UNLESS SPECIFIED)									
ANGULAR TOL ± °									
4 PLACES ±		3 PLACES ±							
2 PLACES ± 0.25		1 PLACE ± 0.38							
0 PLACES ±				EC NO: 661197		DRWN: SANTHN		2021/02/09	
				CHK'D: GGA				2021/04/26	
				APPR: GGA				2021/04/26	
INITIAL REVISION:				2005/05/17		2010/03/05		DOCUMENT NUMBER	
DRWN: TREGORI				2005/05/17		2010/03/05		SD-45971-001	
APPR: JCOMERCI								DOC TYPE   DOC PART   REVISION	
DRAFT WHERE APPLICABLE MUST REMAIN WITHIN DIMENSIONS				THIRD ANGLE PROJECTION		DRAWING		SERIES	
				B-SIZE		45971		MATERIAL NUMBER	
								CUSTOMER	
								SEE TABLE SHEET NO 5	
								GENERAL MARKET	
								SHEET NUMBER	
								4 OF 5	

ROWS: 6 DIMENSION C = 9.60/.378 DIMENSION D = 5.69/.224						
DIM R: (REF)		5.0 mm	6.0 mm	6.5 mm	7.5 mm	8.0 mm
DIM H:		5.05/.199	6.04/.238	6.66/.258	7.54/.297	8.05/.317
DIM S:		5.31/.209	6.30/.248	6.92/.272	7.80/.307	8.31/.327
POSITION	DIM M	MATERIAL NO	MATERIAL NO	MATERIAL NO	MATERIAL NO	MATERIAL NO
10	19.35/0.762					
20	32.05/1.262					
30	44.75/1.762	45971-3165				
40	57.45/2.262					
50	70.15/2.762	45971-5165				
15	25.70/1.012					
25	38.40/1.512					
35	51.10/2.012					
45	63.80/2.512					

ROWS: 10 DIMENSION C = 14.68/.578 DIMENSION D = 6.24/.246						
DIM R: (REF)		5.0 mm	6.0 mm	6.5 mm	7.5 mm	8.0 mm
DIM H:		5.05/.199	6.04/.238	6.66/.258	7.54/.297	8.05/.317
DIM S:		5.31/.209	6.30/.248	6.92/.272	7.80/.307	8.31/.327
POSITION	DIM M	MATERIAL NO	MATERIAL NO	MATERIAL NO	MATERIAL NO	MATERIAL NO
10	19.88/0.784	45971-1115	45971-1215	45971-1315	45971-1415	45971-1515
20	32.58/1.284	45971-2115	45971-2215	45971-2315	45971-2415	45971-2515
30	45.28/1.784	45971-3115	45971-3215	45971-3315	45971-3415	45971-3515
40	57.98/2.284	45971-4115	45971-4215	45971-4315	45971-4415	45971-4515
50	70.68/2.784	45971-5115	45971-5215	45971-5315	45971-5415	45971-5515
15	26.23/1.034	45971-6115	45971-6215	45971-6315	45971-6415	45971-6515
25	38.93/1.534	45971-7115	45971-7215	45971-7315	45971-7415	45971-7515
35	51.63/2.034	45971-8115	45971-8215	45971-8315	45971-8415	45971-8515
45	64.33/2.534	45971-9115	45971-9215	45971-9315	45971-9415	45971-9515



**STACK HEIGHTS  
GIVEN IN MILLIMETERS (mm) FOR REFERENCE ONLY**

ROWS: 8 DIMENSION C = 12.14/.478 DIMENSION D = 3.70/.146						
DIM R: (REF)		5.0 mm	6.0 mm	6.5 mm	7.5 mm	8.0 mm
DIM H:		5.05/.199	6.04/.238	6.66/.258	7.54/.297	8.05/.317
DIM S:		5.31/.209	6.30/.248	6.92/.272	7.80/.307	8.31/.327
POSITION	DIM M	MATERIAL NO	MATERIAL NO	MATERIAL NO	MATERIAL NO	MATERIAL NO
10	19.88/0.784					
20	32.58/1.284	45971-2185		45971-2385		
30	45.28/1.784	45971-3185		45971-3385		
40	57.98/2.284	45971-4185		45971-4385		
50	70.68/2.784	45971-5185				
15	26.23/1.034					
25	38.93/1.534					
35	51.63/2.034					
45	64.33/2.534					

**MATING STACK HEIGHTS (DIMENSION R)  
GIVEN IN MILLIMETERS (mm) FOR REFERENCE ONLY**

		DIM R RECEPTACLE STACK HEIGHT									
		5.0		6.0		6.5		7.5		8.0	
DIM P PLUG STACK HEIGHT	mm	DIM M FULLY MATED	DIM M MAX	DIM M FULLY MATED	DIM M MAX	DIM M FULLY MATED	DIM M MAX	DIM M FULLY MATED	DIM M MAX	DIM M FULLY MATED	DIM M MAX
	2.0	7.00	7.74	8.00	8.74	8.50	9.24	9.50	10.24	10.00	10.74
3.0	8.00	8.74	9.00	9.74	9.50	10.24	10.50	11.24	11.00	11.74	
3.5	8.50	9.24	9.50	10.24	10.00	10.74	11.00	11.74	11.50	12.24	
2.5	7.50	8.24	8.50	9.24	9.00	9.74	10.00	10.74	10.50	11.24	
4.5	9.50	10.24	10.50	11.24	11.00	11.74	12.00	12.74	12.50	13.24	
5.0	10.00	10.74	11.00	11.74	11.50	12.24	12.50	13.24	13.00	13.74	
7.0	12.00	12.74	13.00	13.74	13.50	14.24	14.50	15.24	15.00	15.74	

**MATED STACK HEIGHTS  
GIVEN IN MILLIMETERS (mm) FOR REFERENCE ONLY**

THIS DRAWING CONTAINS INFORMATION THAT IS PROPRIETARY TO MOLEX ELECTRONIC TECHNOLOGIES, LLC AND SHOULD NOT BE USED WITHOUT WRITTEN PERMISSION											
DIMENSION UNITS		SCALE		CURRENT REV DESC: OBSOLETE PART NUMBERS						<b>molex</b>	
MM/IN		3:1									
GENERAL TOLERANCES (UNLESS SPECIFIED)				EC NO: 661197		2021/02/09		SEARAY RECEPTACLE ASSEMBLY 1.27/.050 CENTERS			
ANGULAR TOL ± °				DRWN: SANTHN		2021/04/26					
4 PLACES ±				CHK'D: GGA		2021/04/26		PRODUCT CUSTOMER DRAWING			
3 PLACES ±				APPR: GGA		2021/04/26					
2 PLACES ± 0.25				INITIAL REVISION:		2005/05/17		DOCUMENT NUMBER		DOC TYPE   DOC PART   REVISION	
1 PLACE ± 0.38				DRWN: TREGORI		2010/03/05		SD-45971-001		PSD   001   Y4	
0 PLACES ±				APPR: JCOMERCI				MATERIAL NUMBER		CUSTOMER	
DRAFT WHERE APPLICABLE MUST REMAIN WITHIN DIMENSIONS				THIRD ANGLE PROJECTION		DRAWING		SERIES		SHEET NUMBER	
				B-SIZE		45971		SEE TABLE SHEET NO 5		GENERAL MARKET   5 OF 5	