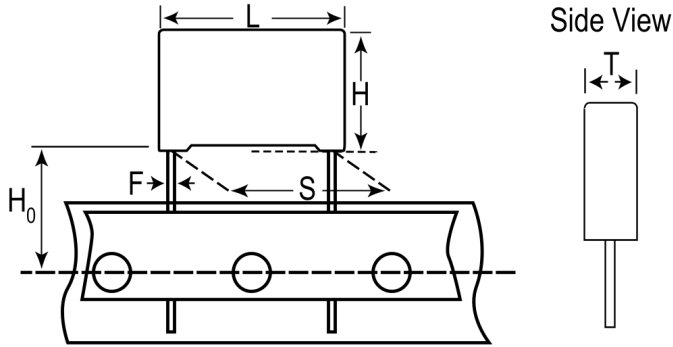


R76MD2100DQ40K

Aliases (76MD2100DQ40K)

R76, Film, Double Metallized Polypropylene, Automotive Grade, 0.01 uF, 10%, 400 VDC, 85°C, Lead Spacing = 7.5mm



Click [here](#) for the 3D model.

Dimensions

L	10mm +0.2/-0.5mm
H	9mm +0.1/-0.5mm
T	4mm +0.1/-0.5mm
S	7.5mm +/-0.4mm
H ₀	18.5mm +/-0.5mm
F	0.6mm +/-0.05mm

Packaging Specifications

Packaging	Ammo, 360x340x59mm, Box
Packaging Quantity	2100

General Information

Series	R76
Dielectric	Double Metallized Polypropylene
Style	Radial
Features	Automotive Grade, Pulse
RoHS	Yes
Lead	Wire Leads
Qualifications	AEC-Q200
AEC-Q200	Yes
Component Weight	0.47 g

Specifications

Capacitance	0.01 uF
Capacitance Tolerance	10%
Voltage AC	250 VAC
Voltage DC	400 VDC
Temperature Range	-55/+110°C
Rated Temperature	85°C
Dissipation Factor	0.03% 1kHz, 0.04% 10kHz, 0.1% 100kHz
Insulation Resistance	100 GOhms
Max dV/dt	1700 V/us
Resistance	63.66 mOhms (100kHz)
Ripple Current	1.6 Amps (100kHz 85C), 17 Amps (Peak)
Inductance	8 nH