

SERIES: PYBE30 | DESCRIPTION: DC-DC CONVERTER

FEATURES

- up to 30 W isolated output
- industry standard pin-out
- 4:1 input range (9~36 Vdc, 18~75 Vdc)
- single/dual regulated outputs
- 1500 Vdc isolation
- continuous short circuit protection
- efficiency up to 90%
- operating temperature range (-40~+80°C)
- EN/BS EN 62368-1

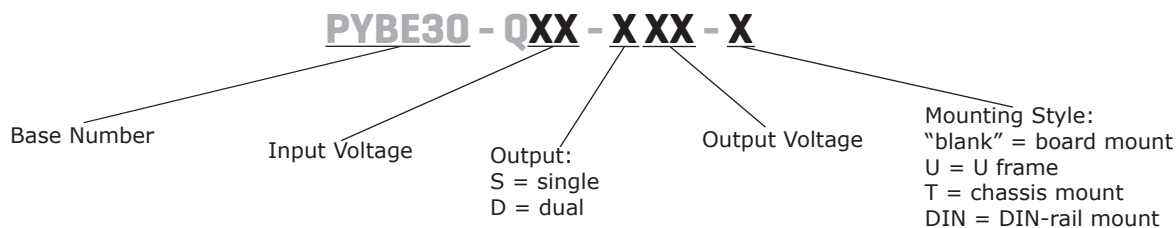


| MODEL | input voltage | | output voltage (Vdc) | output current | | output power max (W) | ripple & noise ¹ max (mVp-p) | efficiency ² typ (%) |
|-------------------------------|---------------|-------------|-------------------------|----------------|----------|-------------------------|--|------------------------------------|
| | typ (Vdc) | range (Vdc) | | min (mA) | max (mA) | | | |
| PYBE30-Q24-S3 ^{3,4} | 24 | 9~36 | 3.3 | 0 | 6000 | 19.8 | 100 | 85 |
| PYBE30-Q24-S5 ^{3,4} | 24 | 9~36 | 5 | 0 | 6000 | 30 | 100 | 86 |
| PYBE30-Q24-S9 ^{3,4} | 24 | 9~36 | 9 | 0 | 3333 | 30 | 100 | 88 |
| PYBE30-Q24-S12 ^{3,4} | 24 | 9~36 | 12 | 0 | 2500 | 30 | 100 | 90 |
| PYBE30-Q24-S15 ^{3,4} | 24 | 9~36 | 15 | 0 | 2000 | 30 | 100 | 90 |
| PYBE30-Q24-S24 ^{3,4} | 24 | 9~36 | 24 | 0 | 1250 | 30 | 100 | 90 |
| PYBE30-Q24-D5 ⁴ | 24 | 9~36 | ±5 | 0 | ±3000 | 30 | 150 | 86 |
| PYBE30-Q24-D12 ⁴ | 24 | 9~36 | ±12 | 0 | ±1250 | 30 | 150 | 89 |
| PYBE30-Q24-D15 ⁴ | 24 | 9~36 | ±15 | 0 | ±1000 | 30 | 150 | 89 |
| PYBE30-Q24-D24 ⁴ | 24 | 9~36 | ±24 | 0 | ±625 | 30 | 150 | 89 |
| PYBE30-Q48-S3 ³ | 48 | 18~75 | 3.3 | 0 | 6000 | 19.8 | 100 | 86 |
| PYBE30-Q48-S5 ³ | 48 | 18~75 | 5 | 0 | 6000 | 30 | 100 | 87 |
| PYBE30-Q48-S12 ³ | 48 | 18~75 | 12 | 0 | 2500 | 30 | 100 | 88 |
| PYBE30-Q48-S15 ³ | 48 | 18~75 | 15 | 0 | 2000 | 30 | 100 | 89 |
| PYBE30-Q48-S24 ³ | 48 | 18~75 | 24 | 0 | 1250 | 30 | 100 | 87 |
| PYBE30-Q48-D5 | 48 | 18~75 | ±5 | 0 | ±3000 | 30 | 150 | 86 |
| PYBE30-Q48-D12 | 48 | 18~75 | ±12 | 0 | ±1250 | 30 | 150 | 88 |
| PYBE30-Q48-D15 | 48 | 18~75 | ±15 | 0 | ±1000 | 30 | 150 | 88 |

Notes:

1. From 5~100% load, nominal input, 20 MHz bandwidth oscilloscope, with 10 µF tantalum and 1 µF ceramic capacitors on the output. From 0~5% load, ripple and noise is <5% Vo.
2. Measured at nominal input voltage, full load. The typical efficiencies for the chassis mount and DIN-rail mount versions are ~2% less than the board mount versions due to the input reverse polarity protection.
3. Model is UL approved.
4. Model is not CE or UKCA certified.
5. All specifications are measured at Ta=25°C, humidity < 75%, nominal input voltage, and rated output load unless otherwise specified.

PART NUMBER KEY



INPUT

| parameter | conditions/description | min | typ | max | units |
|--------------------------------------|--|-----------------------|---------|----------|-------|
| operating input voltage ⁵ | 24 Vdc input models | 9 | 24 | 36 | Vdc |
| | 48 Vdc input models | 18 | 48 | 75 | Vdc |
| start-up voltage ⁵ | 24 Vdc input models | | | 9 | Vdc |
| | 48 Vdc input models | | | 18 | Vdc |
| surge voltage | for maximum of 1 second | | | | |
| | 24 Vdc input models | -0.7 | | 50 | Vdc |
| | 48 Vdc input models | -0.7 | | 100 | Vdc |
| under voltage shutdown | 24 Vdc input models | 5.5 | 6.5 | | Vdc |
| | 48 Vdc input models | 12.0 | 15.5 | | Vdc |
| current (full load/no load) | 24 Vdc input models | 3.3 Vdc output models | | 994/100 | mA |
| | | 5 Vdc output models | | 1488/100 | mA |
| | all other models | | 1488/16 | mA | |
| 48 Vdc input models | 3.3 Vdc output models | | 491/30 | mA | |
| | 5 Vdc output models | | 735/35 | mA | |
| | all other models | | 744/10 | mA | |
| remote on/off (CTRL) ⁶ | turn on (3.5~12 Vdc or open circuit) turn off (<1.2 Vdc) input current when switched off | | 5 | 8 | mA |
| filter | Pi filter | | | | |
| input reverse polarity protection | only present on chassis mount and DIN-rail mount models | | | | |

Notes: 5. The minimum input voltage and start-up voltage for the chassis mount and DIN-rail mount versions are 1 Vdc higher than the board mount versions.

6. The voltage of the CTRL pin is referenced to input GND pin.

OUTPUT

| parameter | conditions/description | min | typ | max | units |
|--------------------------------------|---------------------------------------|-----|------|--------|-------|
| maximum capacitive load ⁷ | 3.3, 5 Vdc output models | | | 10,000 | µF |
| | 9 Vdc output models | | | 4,700 | µF |
| | 12 Vdc output models | | | 2,700 | µF |
| | 15 Vdc output models | | | 1,680 | µF |
| | ±5 Vdc output models | | | 2,000 | µF |
| | ±12 Vdc output models | | | 1,250 | µF |
| | 24, ±15 Vdc output models | | | 680 | µF |
| | ±24 Vdc output models | | | 470 | µF |
| voltage accuracy ⁸ | 0% to 5% load | | ±1 | ±5 | % |
| | 5% to full load | | ±1 | ±3 | % |
| line regulation | from low line to high line, full load | | | | |
| | positive outputs | | ±0.2 | ±0.5 | % |
| | negative outputs | | ±0.5 | ±1 | % |
| load regulation ⁹ | from 5% to full load | | | | |
| | positive outputs | | ±0.5 | ±1 | % |
| | negative outputs | | ±0.5 | ±1.5 | % |

Note: 7. Tested at input voltage range and full load.

8. At 0~5% load, the max output voltage accuracy for the ±5 & ±9 Vdc output models is ±5%.

9. At 0~100% load, the max load regulation is ±5%.

OUTPUT (CONTINUED)

| parameter | conditions/description | min | typ | max | units |
|-----------------------------------|---|-----|----------|----------|--------|
| cross regulation | dual output models: main output 50% load secondary output from 10~100% load | | | ±5 | % |
| start-up time | nominal input, constant resistive load | | 10 | | ms |
| adjustability ¹⁰ | see application notes | | ±10 | | % |
| switching frequency ¹¹ | PWM mode | | 300 | | kHz |
| transient recovery time | 25% load step change, nominal input voltage | | 300 | 500 | µs |
| transient response deviation | 25% load step change, nominal input voltage 3.3, 5, ±5 Vdc output models all other models | | ±5 ±3 | ±8 ±5 | % % |
| temperature coefficient | at full load | | | ±0.03 | %/°C |

Note: 10. For single output models only

11. Value is based on full load. At loads <50%, the switching frequency decreases with decreasing load.

PROTECTIONS

| parameter | conditions/description | min | typ | max | units |
|--------------------------|-----------------------------------|-----|-----|-----|-------|
| over voltage protection | | 110 | | 160 | % |
| over current protection | | 110 | | 190 | % |
| short circuit protection | hiccup, continuous, self recovery | | | | |

SAFETY AND COMPLIANCE

| parameter | conditions/description | min | typ | max | units |
|------------------------------------|--|-----------|-------|-----|-------|
| isolation voltage | input to output for 1 minute at 1 mA | 1,500 | | | Vdc |
| isolation resistance | input to output at 500 Vdc | 1,000 | | | MΩ |
| isolation capacitance | input to output, 100 kHz / 0.1 V | | 2,000 | | pF |
| safety approvals ^{12, 13} | certified to 62368-1: EN, BS EN certified to 60950: UL | | | | |
| conducted emissions | CISPR32/EN55032, class A (no external circuit); class B (external circuit required, see Figure 3-b, 4-b) | | | | |
| radiated emissions | CISPR32/EN55032, class A (no external circuit); class B (external circuit required, see Figure 3-b, 4-b) | | | | |
| ESD | IEC/EN61000-4-2, contact ± 4kV, class B | | | | |
| radiated immunity | IEC/EN61000-4-3, 10V/m, class A | | | | |
| EFT/burst | IEC/EN61000-4-4, ± 2kV, class B (external circuit required, see Figure 3-a, 4-a) | | | | |
| surge | IEC/EN61000-4-5, line-line ± 2kV, class B (external circuit required, see Figure 3-a, 4-a) | | | | |
| conducted immunity | IEC/EN61000-4-6, single output, 3 Vr.m.s, class A IEC/EN61000-4-6, dual output, 10 Vr.m.s, class A | | | | |
| MTBF | as per MIL-HDBK-217F, 25°C | 1,000,000 | | | hours |
| RoHS | yes | | | | |

Note: 12. UL approval only for single output board mount, chassis mount, and DIN-rail mount models, see page 1 for specific models.

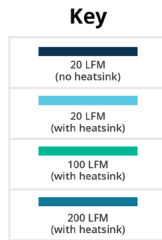
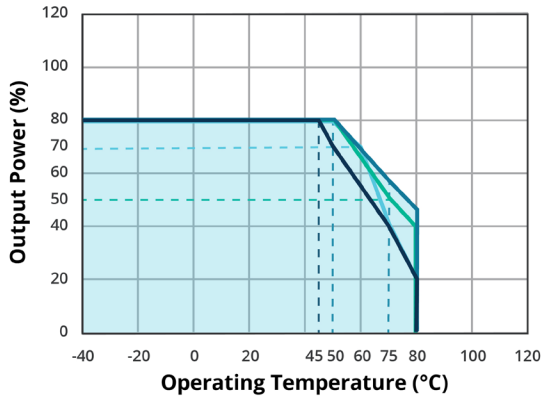
13. CE approval for all models.

ENVIRONMENTAL

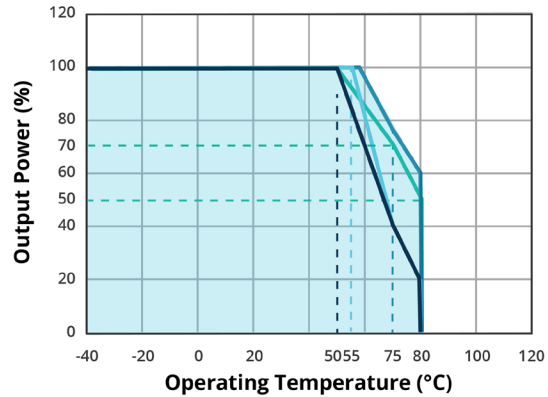
| parameter | conditions/description | min | typ | max | units |
|-----------------------|---------------------------------------|-----|-----|-----|-------|
| operating temperature | see derating curves | -40 | | 80 | °C |
| storage temperature | | -55 | | 125 | °C |
| storage humidity | non-condensing | 5 | | 95 | % |
| vibration | 10~55 Hz, for 30 minutes on each axis | | 10 | | G |

DERATING CURVES

**TEMPERATURE DERATING CURVE
(dual output)**



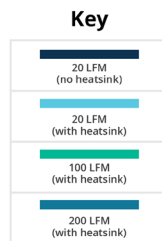
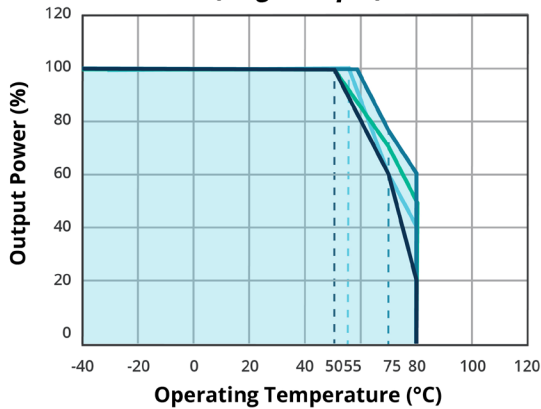
**TEMPERATURE DERATING CURVE
(dual output)**



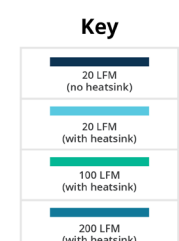
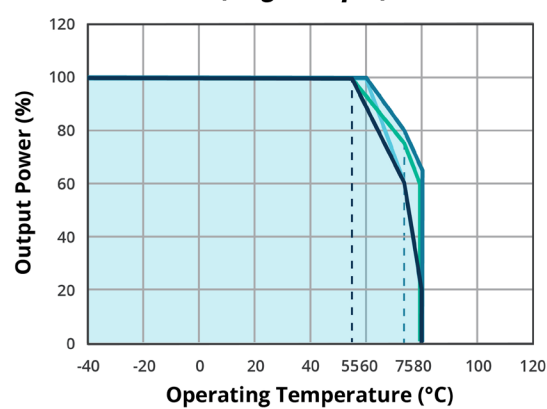
Applicable models:
 PYBE30-Q24-D5 (9-18 Vdc input voltage),
 PYBE30-Q24-D24 (9-18 Vdc input voltage),
 PYBE30-Q48-D5 (18-36 Vdc input voltage)

Applicable models:
 PYBE30-Q24-D5 (18-36 Vdc input voltage),
 PYBE30-Q24-D24 (18-36 Vdc input voltage),
 PYBE30-Q48-D5 (36-75 Vdc input voltage),
 PYBE30-Q24-D12, PYBE30-Q24-D15,
 PYBE30-Q48-D12, PYBE30-Q48-D15

**TEMPERATURE DERATING CURVE
(single output)**



**TEMPERATURE DERATING CURVE
(single output)**

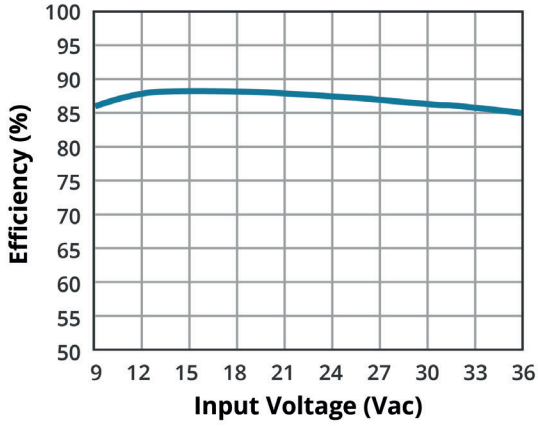


Applicable models:
 PYBE30-Q24-S3, PYBE30-Q24-S5,
 PYBE30-Q48-S3, PYBE30-Q48-S5

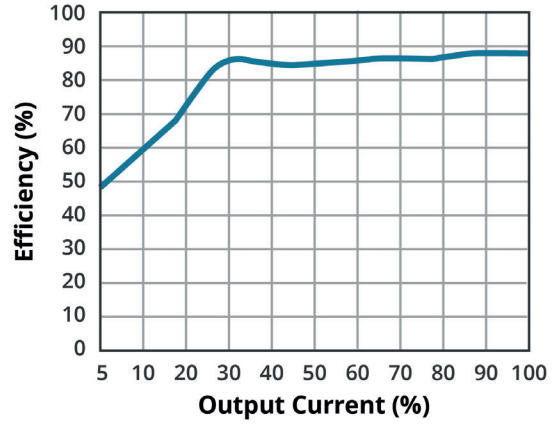
Applicable models:
 PYBE30-Q24-S9, PYBE30-Q24-S12,
 PYBE30-Q24-S15, PYBE30-Q24-S24,
 PYBE30-Q48-S12, PYBE30-Q48-S15,
 PYBE30-Q48-S24

EFFICIENCY CURVES

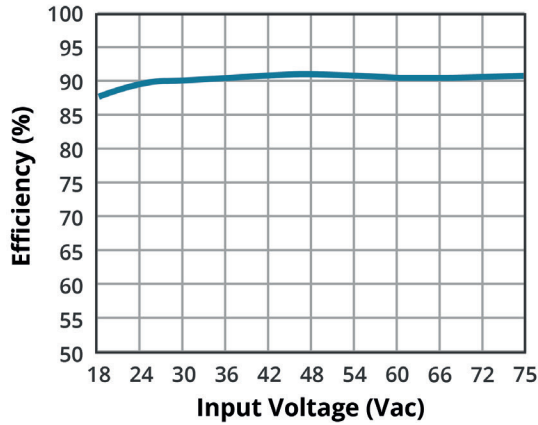
EFFICIENCY VS INPUT VOLTAGE
(full load)
PYBE30-Q24-S5



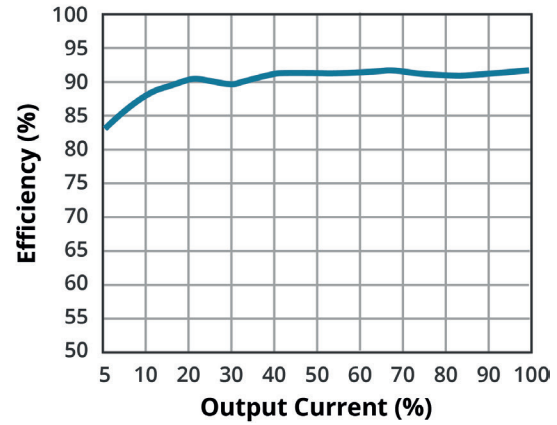
EFFICIENCY VS OUTPUT LOAD
($V_{in} = 24V$)
PYBE30-Q24-S5



EFFICIENCY VS INPUT VOLTAGE
(full load)
PYBE30-Q48-D15



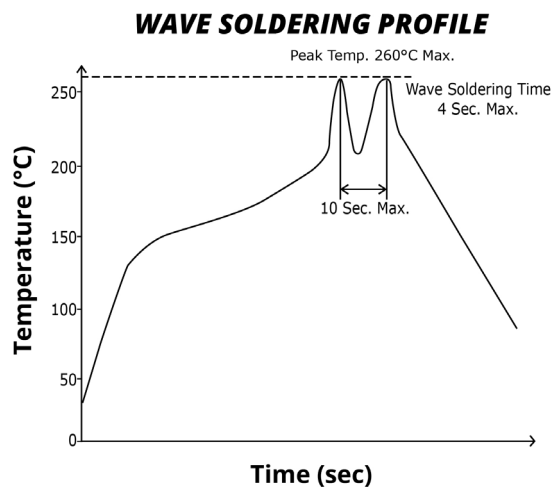
EFFICIENCY VS OUTPUT LOAD
($V_{in} = 48V$)
PYBE30-Q48-D15



SOLDERABILITY¹⁴

| parameter | conditions/description | min | typ | max | units |
|----------------|---------------------------------|-----|-----|-----|-------|
| hand soldering | 1.5 mm from case for 10 seconds | | | 300 | °C |
| wave soldering | see wave soldering profile | | | 260 | °C |

Note: 14. For board mount models only.



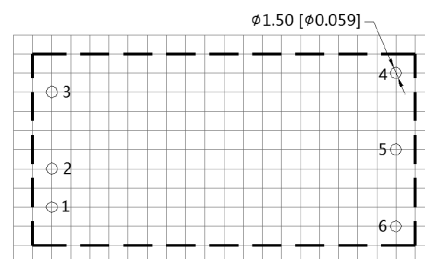
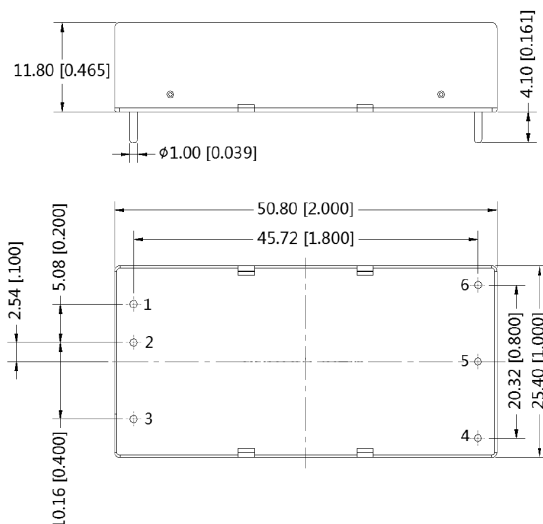
MECHANICAL

| parameter | conditions/description | min | typ | max | units |
|---------------|--|-----|-----|-----|-------|
| dimensions | board mount: 50.80 x 25.40 x 11.80 [2.000 x 1.000 x 0.465 inch] | | | | mm |
| | U-frame mount: 55.00 x 52.30 x 19.00 [2.165 x 2.059 x 0.748 inch] | | | | mm |
| | chassis mount: 76.00 x 31.50 x 21.20 [2.992 x 1.240 x 0.835 inch] | | | | mm |
| | DIN-rail mount: 76.00 x 31.50 x 25.80 [2.992 x 1.240 x 1.016 inch] | | | | mm |
| case material | aluminum alloy | | | | |
| weight | board mount | | 26 | | g |
| | U-frame mount | | 59 | | g |
| | chassis mount | | 48 | | g |
| | DIN-rail mount | | 68 | | g |

MECHANICAL DRAWING (BOARD MOUNT)

units: mm [inch]
 tolerance: ±0.50[±0.020]
 pin diameter tolerance: ±0.10[±0.004]

| PIN CONNECTIONS | | |
|-----------------|----------|------|
| PIN | Function | |
| | Single | Dual |
| 1 | Vin | Vin |
| 2 | GND | GND |
| 3 | CTRL | CTRL |
| 4 | trim | -Vo |
| 5 | 0V | 0V |
| 6 | +Vo | +Vo |

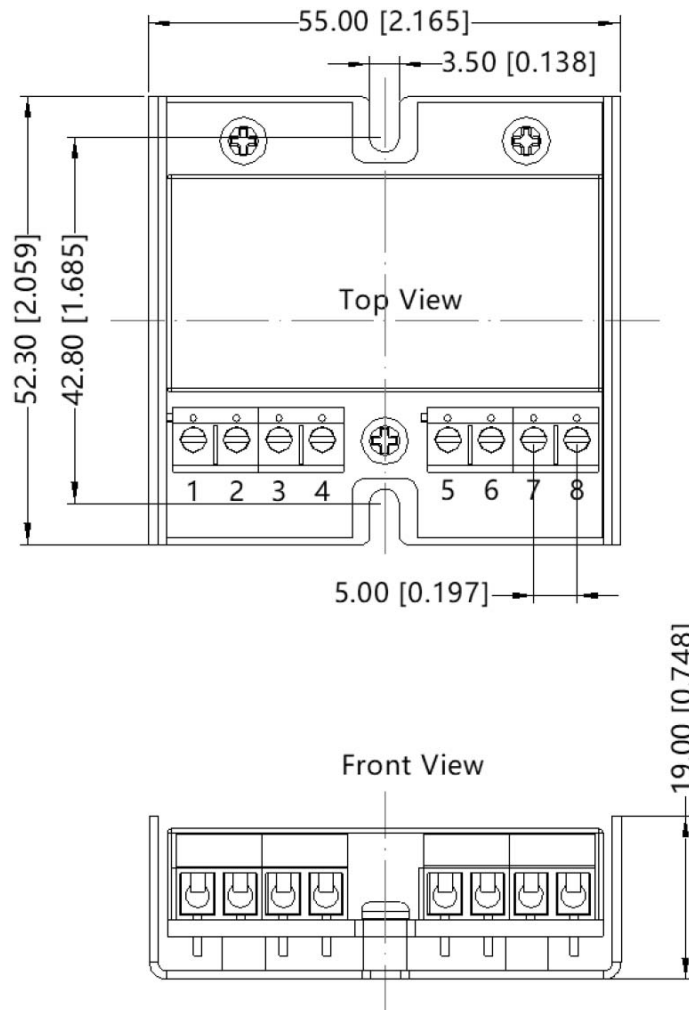


Note : Grid 2.54*2.54mm
 Recommended PCB Layout
 Top View

MECHANICAL DRAWING (U-FRAME MOUNT)

units: mm [inch]
 wire range: 24~12 AWG
 tightening torque: Max 0.4 N·m
 tolerance: ±1.00[±0.039]

| PIN CONNECTIONS | | |
|-----------------|----------|------|
| PIN | Function | |
| | Single | Dual |
| 1 | GND | GND |
| 2 | Vin | Vin |
| 3 | CTRL | CTRL |
| 4 | Case | Case |
| 5 | NC | NC |
| 6 | +Vo | +Vo |
| 7 | 0V | 0V |
| 8 | Trim | -Vo |

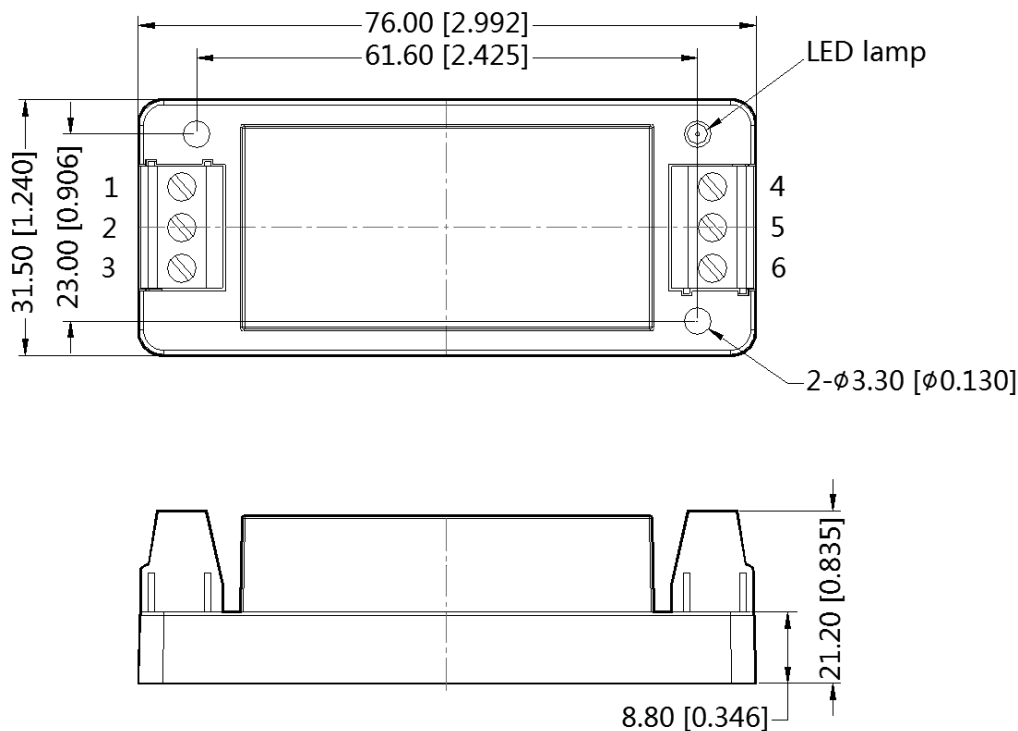


MECHANICAL DRAWING (CHASSIS MOUNT)

units: mm [inch]
tolerance: $\pm 0.50[\pm 0.020]$

wire range: 24~12 AWG
tightening torque: max 0.4 N*m

| PIN CONNECTIONS | | |
|-----------------|----------|------|
| PIN | Function | |
| | Single | Dual |
| 1 | CTRL | CTRL |
| 2 | GND | GND |
| 3 | Vin | Vin |
| 4 | trim | -Vo |
| 5 | 0V | 0V |
| 6 | +Vo | +Vo |

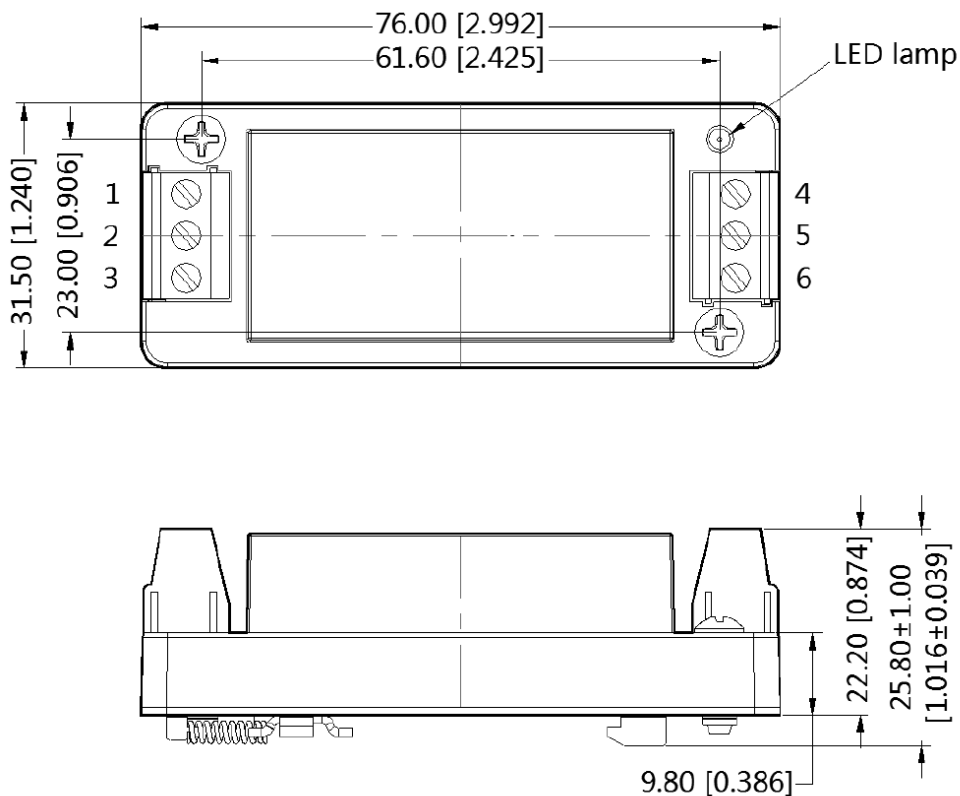


MECHANICAL DRAWING (DIN-RAIL MOUNT)

units: mm [inch]
tolerance: $\pm 0.50[\pm 0.020]$

installed on DIN rail TS35
wire range: 24~12 AWG
tightening torque: max 0.4 N*m

| PIN CONNECTIONS | | |
|-----------------|----------|------|
| PIN | Function | |
| | Single | Dual |
| 1 | CTRL | CTRL |
| 2 | GND | GND |
| 3 | Vin | Vin |
| 4 | trim | -Vo |
| 5 | 0V | 0V |
| 6 | +Vo | +Vo |



APPLICATION CIRCUIT

This series has been tested according to the following recommended circuits (Figures 1 & 2) before leaving the factory. If you want to further reduce the input and output ripple, you can increase the input and output capacitors or select capacitors of low equivalent impedance provided that the capacitance is less than the maximum capacitive load of the model.

Figure 1
Single Output Models

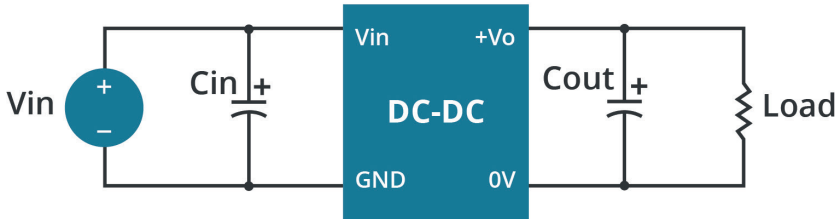


Figure 2
Dual Output Models

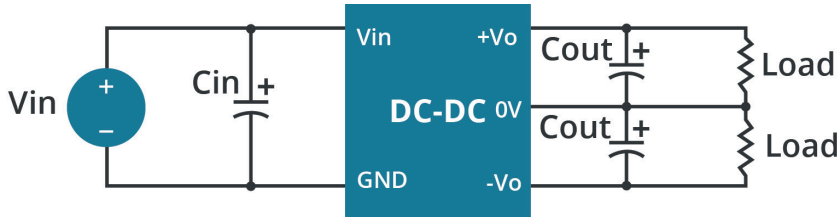


Table 1

| Vout (Vdc) | Cin (μF) | Cout (μF) |
|------------|----------|-----------|
| 3.3/5/9 | 100 | 220 |
| 12/15/24 | 100 | 100 |
| ±5/±12/±15 | 100 | 220 |
| ±24 | 100 | 100 |

EMC RECOMMENDED CIRCUIT

Figure 3
Single Output Models

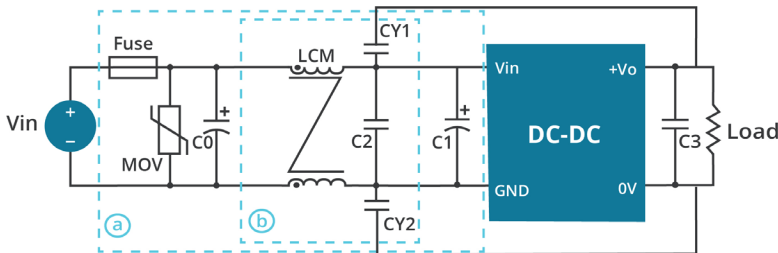


Figure 4
Dual Output Models

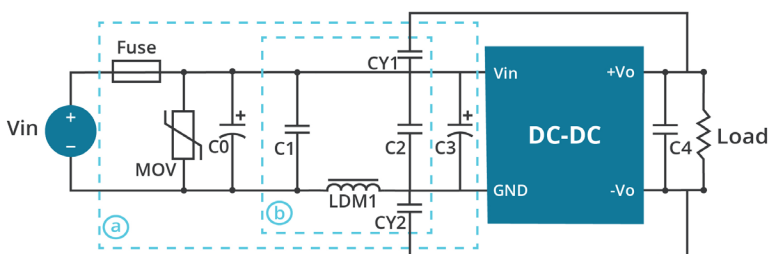


Table 2

| Recommended External Circuit Components | | |
|---|--|----------------|
| Vin (Vdc) | 24 | 48 |
| FUSE | choose according to actual input current | |
| MOV | S20K30 | S14K60 |
| C0 | 680 μF / 50 V | 330 μF / 100 V |
| C1 | 330 μF / 50 V | 330 μF / 100 V |
| C2 | 4.7 μF / 50 V | 2.2 μF / 100 V |
| C3 | Refer to the Cout in Table 1 | |
| LCM | 1 mH | |
| CY1, CY2 | 1 nF / 2 kV | |

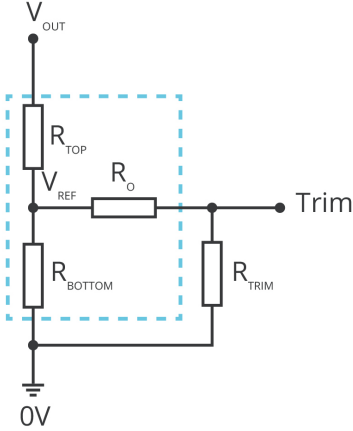
Table 3

| Recommended External Circuit Components | | |
|---|--|----------------|
| Vin (Vdc) | 24 | 48 |
| FUSE | choose according to actual input current | |
| MOV | S20K30 | S14K60 |
| C0 | 680 μF / 50 V | 330 μF / 100 V |
| C1 | 2.2 μF / 50 V | 2.2 μF / 100 V |
| C2 | 2.2 μF / 50 V | 2.2 μF / 100 V |
| C3 | 330 μF / 50 V | 330 μF / 100 V |
| C4 | Refer to the Cout in Table 1 | |
| LDM1 | 3.3 μH | |
| CY1, CY2 | 2.2 nF / 4 kV | |

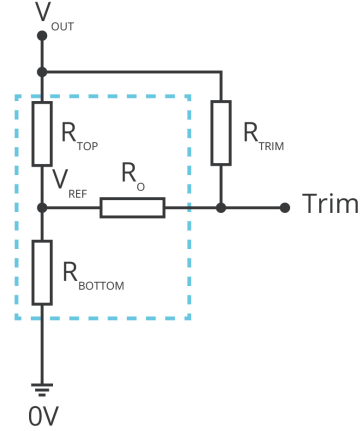
APPLICATION NOTES

Output voltage trimming
Leave open if not used.

Trim up



Trim down



$$R_{TRIM} = \frac{a \cdot R_{BOTTOM}}{R_{BOTTOM} - a} - R_O \quad a = \frac{V_{REF}}{V_{OUT} - V_{REF}} \cdot R_{TOP}$$

Formula for Trim up

$$R_{TRIM} = \frac{a \cdot R_{TOP}}{R_{TOP} - a} - R_O \quad a = \frac{V_{OUT} - V_{REF}}{V_{REF}} \cdot R_{BOTTOM}$$

Formula for Trim down

Table 3

| V_{OUT} (Vdc) | R_{TOP} (kΩ) | R_{BOTTOM} (kΩ) | R_O (kΩ) | V_{REF} (V) |
|--------------------|-------------------|----------------------|---------------|------------------|
| 3.3 | 4.801 | 2.87 | 12.4 | 1.24 |
| 5 | 2.887 | 2.87 | 10 | 2.5 |
| 9 | 7.500 | 2.87 | 15 | 2.5 |
| 12 | 11.000 | 2.87 | 15 | 2.5 |
| 15 | 14.494 | 2.87 | 15 | 2.5 |
| 24 | 24.872 | 2.87 | 17.8 | 2.5 |

Note: Value for R_{TOP} , R_{BOTTOM} , R_O , and V_{REF} refer to Table 3 (fixed internal values).
 R_{TRIM} : Trim resistance
 a: User-defined parameter, no actual meanings
 V_{OUT} : Nominal output voltage

REVISION HISTORY

| rev. | description | date |
|------|---|------------|
| 1.0 | initial release | 01/24/2019 |
| 1.01 | safeties updated in features and safety line, packaging removed | 01/12/2021 |
| 1.02 | derating curves and circuit figures updated | 08/23/2021 |
| 1.03 | temperature updated & application section updated | 08/08/2022 |
| 1.04 | input current updated | 09/21/2022 |
| 1.05 | U-frame model added | 09/26/2022 |
| 1.06 | UKCA added for 48 Vdc input models | 11/15/2022 |

The revision history provided is for informational purposes only and is believed to be accurate.



CUI INC

a bel group

Headquarters
20050 SW 112th Ave.
Tualatin, OR 97062
800.275.4899

Fax 503.612.2383
cui.com
techsupport@cui.com

CUI offers a two (2) year limited warranty. Complete warranty information is listed on our website.

CUI reserves the right to make changes to the product at any time without notice. Information provided by CUI is believed to be accurate and reliable. However, no responsibility is assumed by CUI for its use, nor for any infringements of patents or other rights of third parties which may result from its use.

CUI products are not authorized or warranted for use as critical components in equipment that requires an extremely high level of reliability. A critical component is any component of a life support device or system whose failure to perform can be reasonably expected to cause the failure of the life support device or system, or to affect its safety or effectiveness.