

THIS COPY IS PROVIDED ON A RESTRICTED BASIS AND IS NOT TO BE USED IN ANY WAY DETRIMENTAL TO THE INTERESTS OF PANDUIT CORP.

NOTES, UNLESS OTHERWISE SPECIFIED:

**PANDUIT PCRT1 TOOL:
FOR INSTALLING OR REMOVING COPPER PATCH CORD PLUGS
AND FIBER OPTIC PATCH CORD CONNECTORS.**

- PCRT1 IS SUPPLIED WITH THREE DIFFERENT STYLE CONNECTOR BOOTS:

(2) FOR LC/SC FIBER OPTIC PATCH CORD CONNECTORS

(2) FOR ST FIBER OPTIC PATCH CORD CONNECTORS

(1) FOR PVIQ COPPER PATCH CORD PLUGS

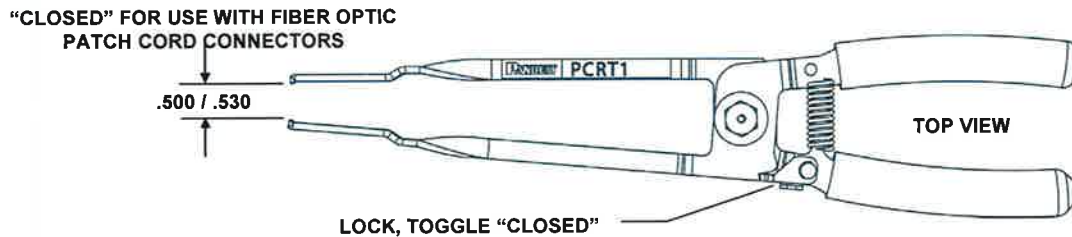
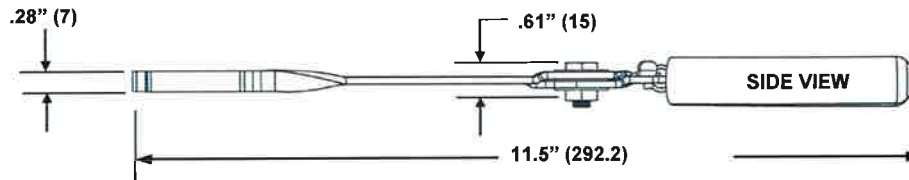
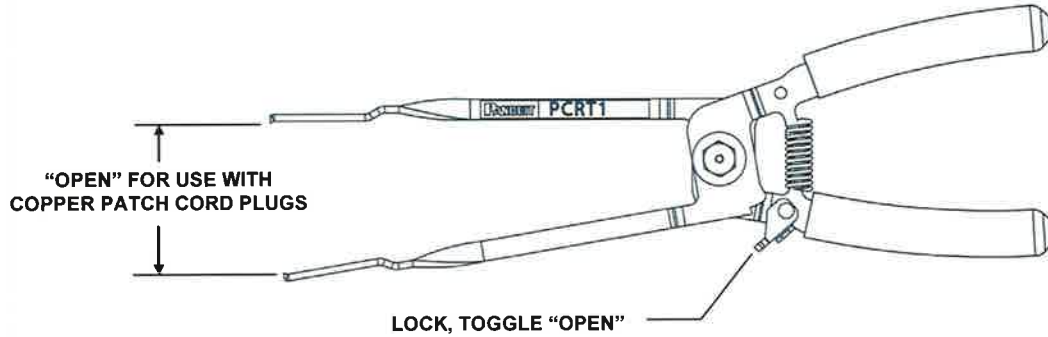
TOOL WEIGHT: 0.36 lbs. (161.5 g)

TOOL MATERIAL: HEAT TREATED, POWDERED COATED STEEL

- KPCRT1-FL FLASHLIGHT KIT
(AVAILABLE SEPARATELY)

DIMENSIONS SHOWN IN PARENTHESES ARE METRIC, AND ARE FOR REFERENCE ONLY.

F:\wrkgrp\rvusers\ENGR DOCS\CUSTOMER DRAWINGS\RG25512B01_04 PCRT1 CD.doc



PCRT1 CUSTOMER DRAWING	
CUSTOMER DRAWING	
ITEM REVISION NAME: RG25512B01_04	PANDUIT
UNLESS OTHERWISE SPECIFIED, DIMENSIONAL TOLERANCES ARE: (.x) ± — (.xxx) ± — (.xx) ± — ANGLS ± —	MATERIAL: -----
THIRD ANGLE PROJECTION	DRAWING NUMBER: RG25512B01
DRAWN BY: BLR DATE: 7-29-14 CHK: BJPU SCALE: NONE	SHT 1 OF 1 SIZE: B

04	7-29-14	BLR			REDRAWN; NEW TEMPLATE, UPD BRANDING, # OF PVIQ PLUGS	4765
REV	DATE	BY	CHK	APR	DESCRIPTION	ECN