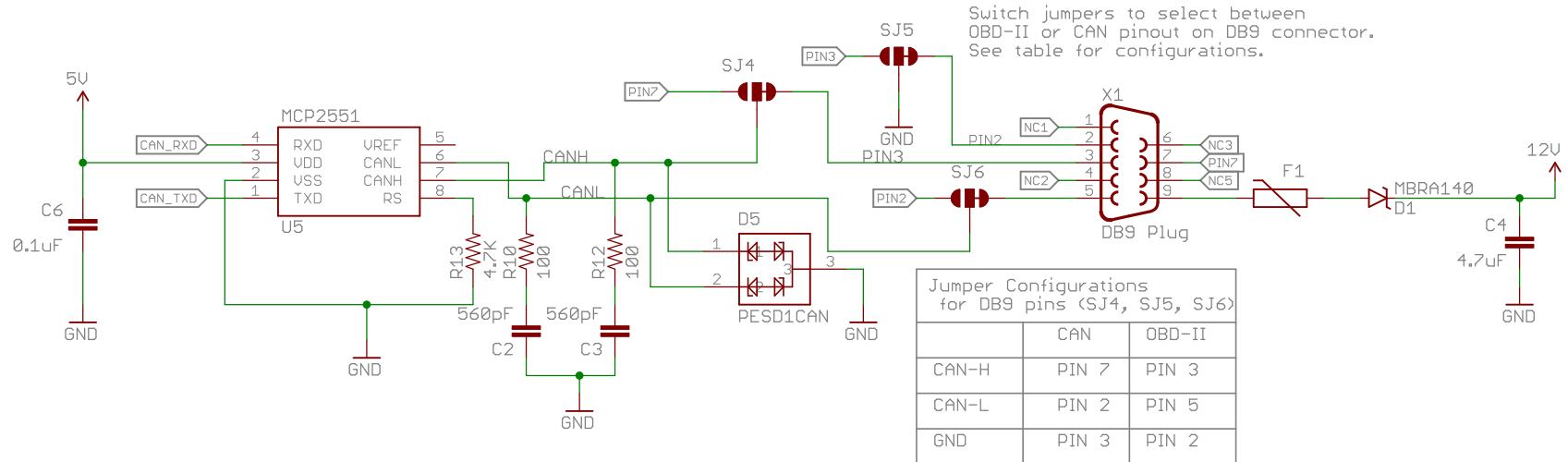
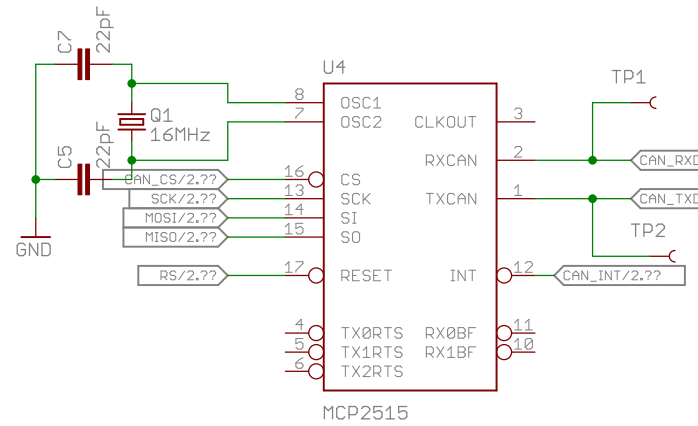
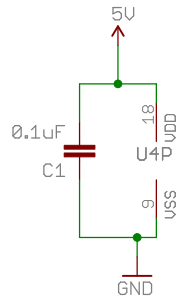
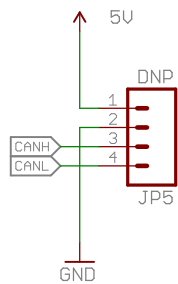


CAN Bus



Jumper Configurations for DB9 pins (SJ4, SJ5, SJ6)

	CAN	OBD-II
CAN-H	PIN 7	PIN 3
CAN-L	PIN 2	PIN 5
GND	PIN 3	PIN 2

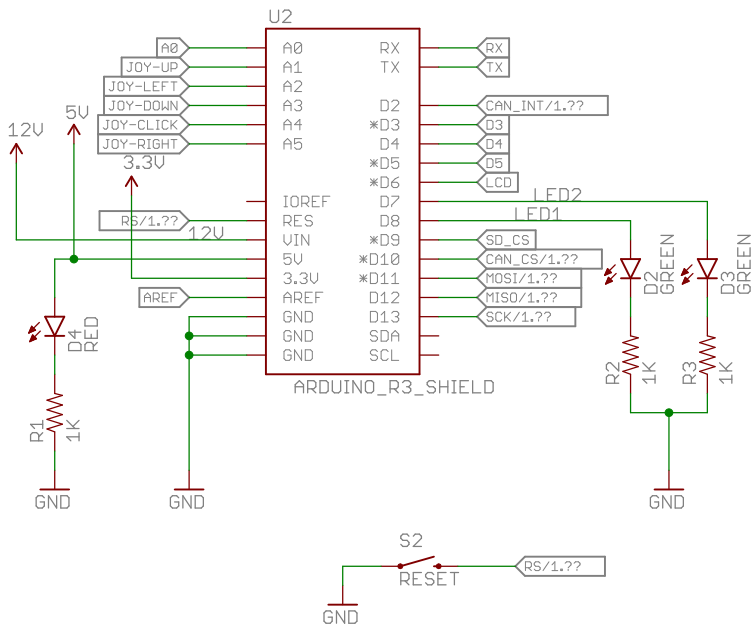


www.skpang.co.uk

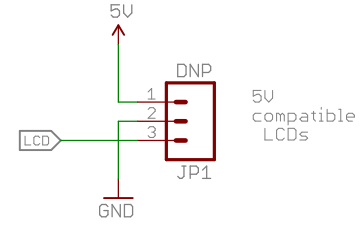
Released under the Creative Commons Attribution Share-Alike 4.0 License https://creativecommons.org/licenses/by-sa/4.0/		⊗ ⊗
TITLE: SparkFun_CAN-Bus_Shield		
Design by: Sukkin Pang	Revision By: Toni Klopfenstein	REV: v13
Date: 10/5/2015 12:45:20 PM	Sheet: 1/2	



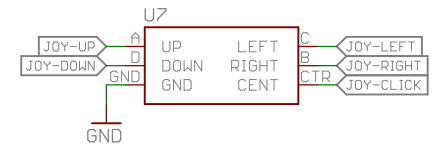
Arduino Connections



LCD

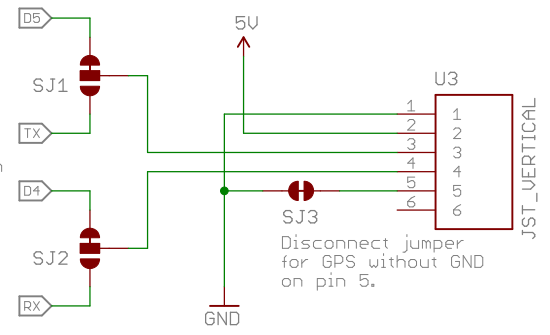


Joystick

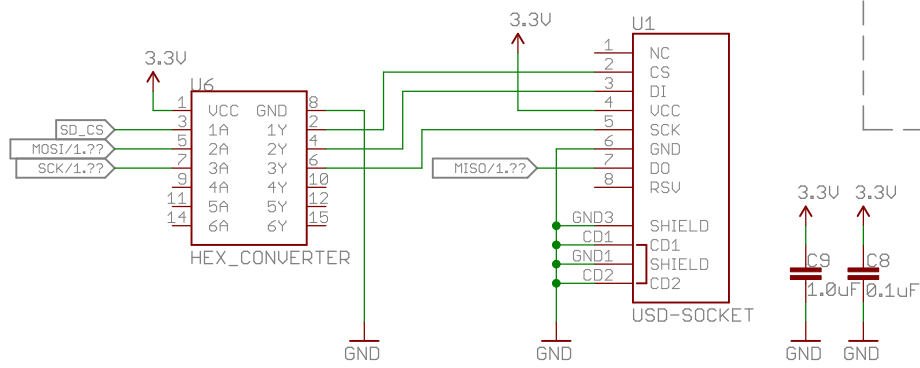


GPS

Change jumpers to select GPS communication on Software Serial or UART



microSD



Released under the Creative Commons Attribution Share-Alike 4.0 License
<https://creativecommons.org/licenses/by-sa/4.0/>

TITLE: SparkFun_CAN-Bus-Shield

Design by:
 Revision by: Toni Klopfenstein

REV:
 v13

Date: 10/5/2015 12:45:20 PM

Sheet: 2/2