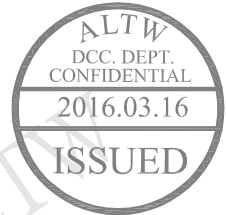
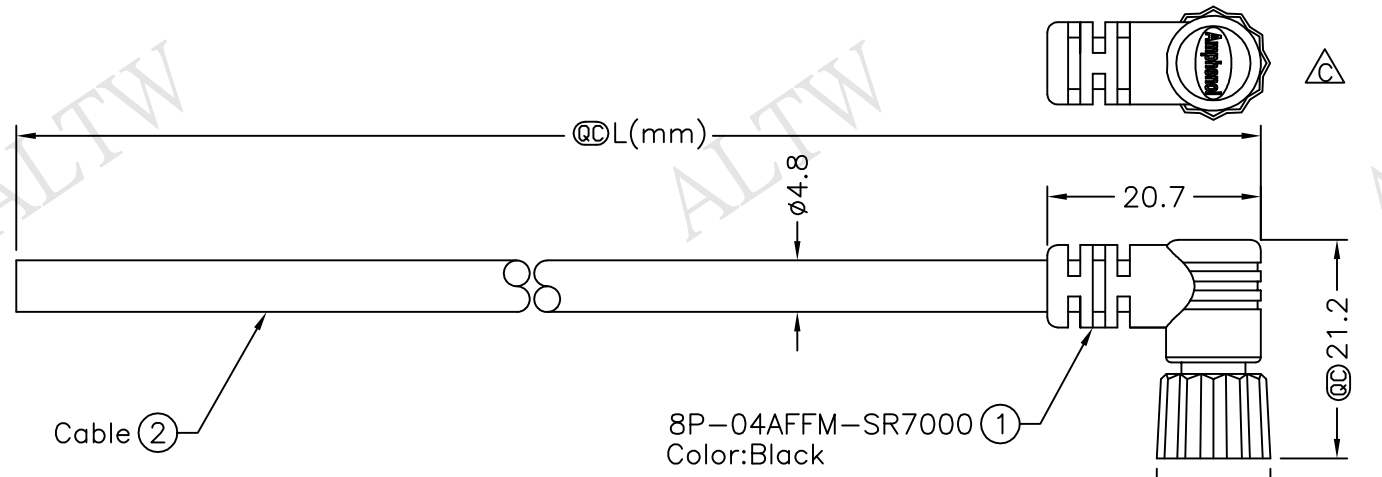
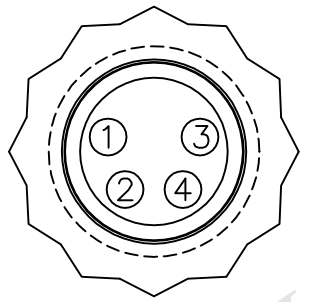


REV.	ECN NO.	DATE	SIGN	DESCRIPTION
B	LEN-920533~536	2009/02/23	Vicky	Update the drawing.
C	LEN1630324~327	2016/03/09	Vicky	Update Logo



8P-04AFFM-SR7BXX
 XX:01~99Meters
 01:01Meter
 02:02Meters
 :
 :
 99:99Meters
 Cable Length(L):01~99Meters

- Note:
- * @C Important Dimension
 - * Waterproof Rate: IP67
 - * Connector: PU, Black
 - * Female Pin: Copper Alloy, Gold Plated
 - * Cable: 22AWG*4C+Insulation, Black, PU, OD=4.8mm
 - * Cable Length Tolerance: 01M:±40mm
 02M~05M:±60mm
 06M~10M:±100mm
 11M~30M:±200mm
 31M~99M:±500mm



Pin Assignments
Front View

4	Black	黑
3	Blue	藍
2	White	白
1	Brown	棕
Conn.	Wire Color	
Pin Out		

UNIT:mm	
TOLERANCE	±0.5 mm

TITLE	M8 Conn Cable Screw 4P F Conn F Pin	
SCALE	Free	SHEET 1 OF 1
REV.	C	SIZE A4
QC : Inspection Item		

Amphenol LTW
 安費諾亮泰企業股份有限公司

ITEM NO	DRAWN BY	DATE
DWG NO	CHECKED BY	DATE
CUSTOMER	APPROVED BY	DATE
	Vicky	2016/03/09
	Rita	2016/03/09
	Lisa	2016/03/09

THIS DOCUMENT IS SUBJECT TO CHANGE WITHOUT NOTICE. IT IS CONFIDENTIAL AND A PROPERTY OF Amphenol LTW. DISCLOSURE TO THIRD PARTY HAS TO BE AUTHORIZED BY Amphenol LTW.