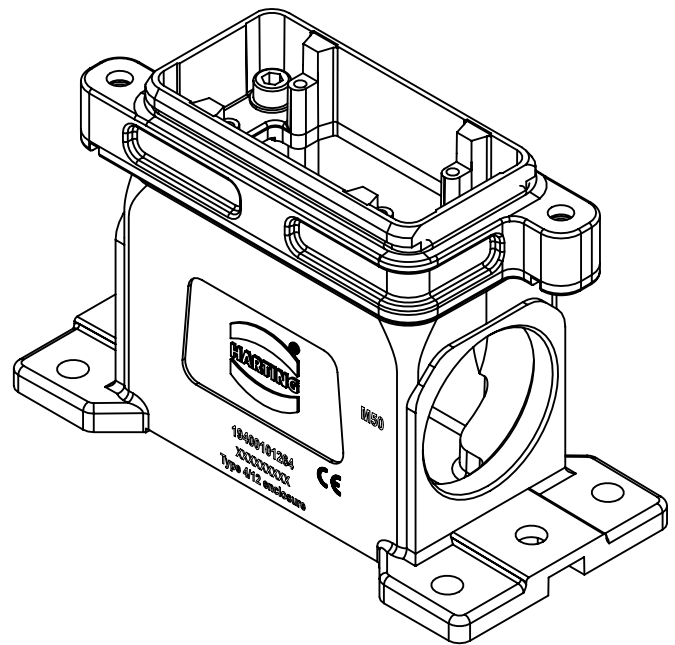
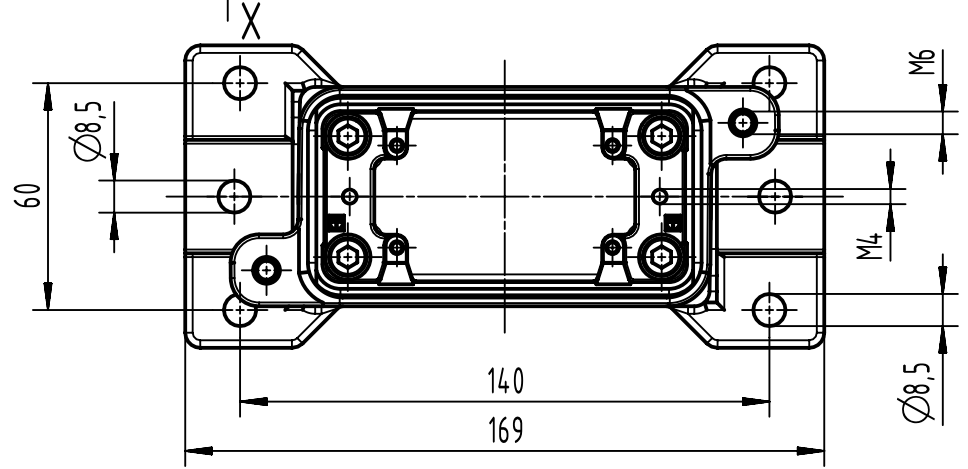
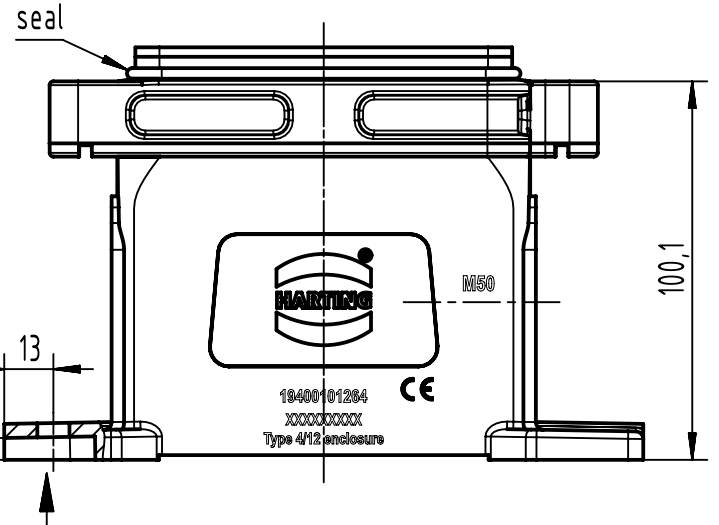
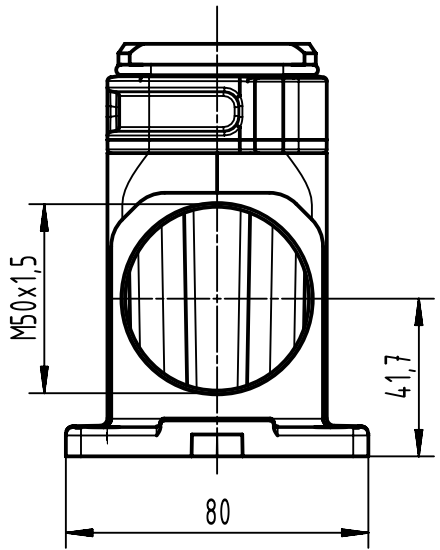
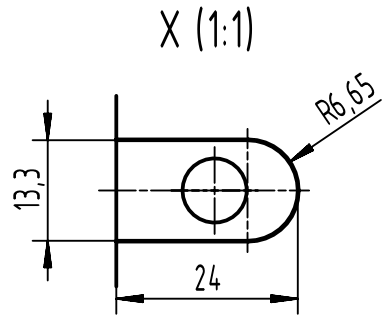


1 2 3 4 5 6

A
B
C
D



<p>All Dimensions in mm Original Size DIN A4</p>	Scale 1:2		Free size tol.		Ref.	
	Created by SPRENB		Inspected by SUNDERMEIER		Standardisation 302077	
<p>All rights reserved Department EL PD</p>	Date 2020-12-14		State Final Release		Doc-Key / ECM-Nr. 100688703/UGD/004/C 500000184.795	
	Title Han 10HPR-HSM1-SL-M50		Number 19 40 010 1264		Rev. C Page 1/1	
HARTING D-32339 Espelkamp		Type TB				