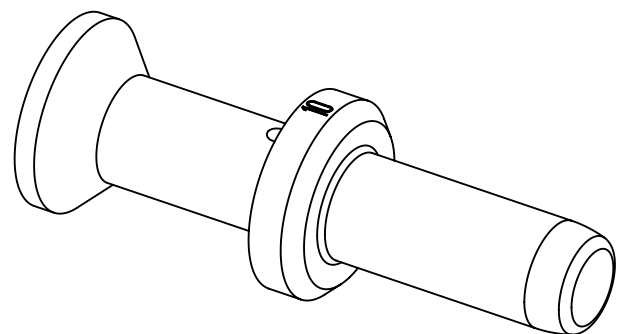


assembly notes see catalog  
 crimp zone acc. to DIN EN 46235; indicator 10  
 for stranded fine wire acc. to VDE 0295 class5/ IEC 60228 class 5  
 wire gauge: 25mm<sup>2</sup>  
 stripping length: 22mm



	All Dimensions in mm Original Size DIN A4		Scale 2:1	Free size tol.		Ref.
						Sub.
	All rights reserved		Created by SCHULZI	Inspected by SCHNIEDER	Standardisation SCHMIDTM	Date 2015-01-27
	Department EL PD		Title Han TC250 male contact 25mm <sup>2</sup>			State Final Release
HARTING Electric GmbH & Co. KG D-32339 Espelkamp			Type TB	Number 09 11 000 6126		Doc-Key / ECM-Nr. 100220913/UGD/003/C 500000082399
					Rev. C	Page 1/1