

MATERIALS AND FINISHES

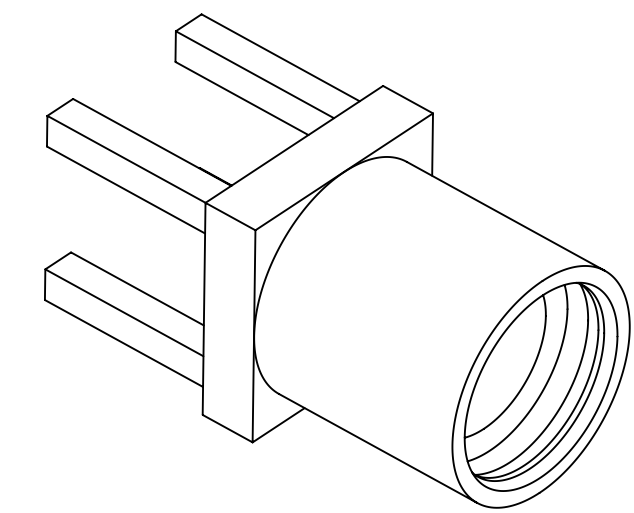
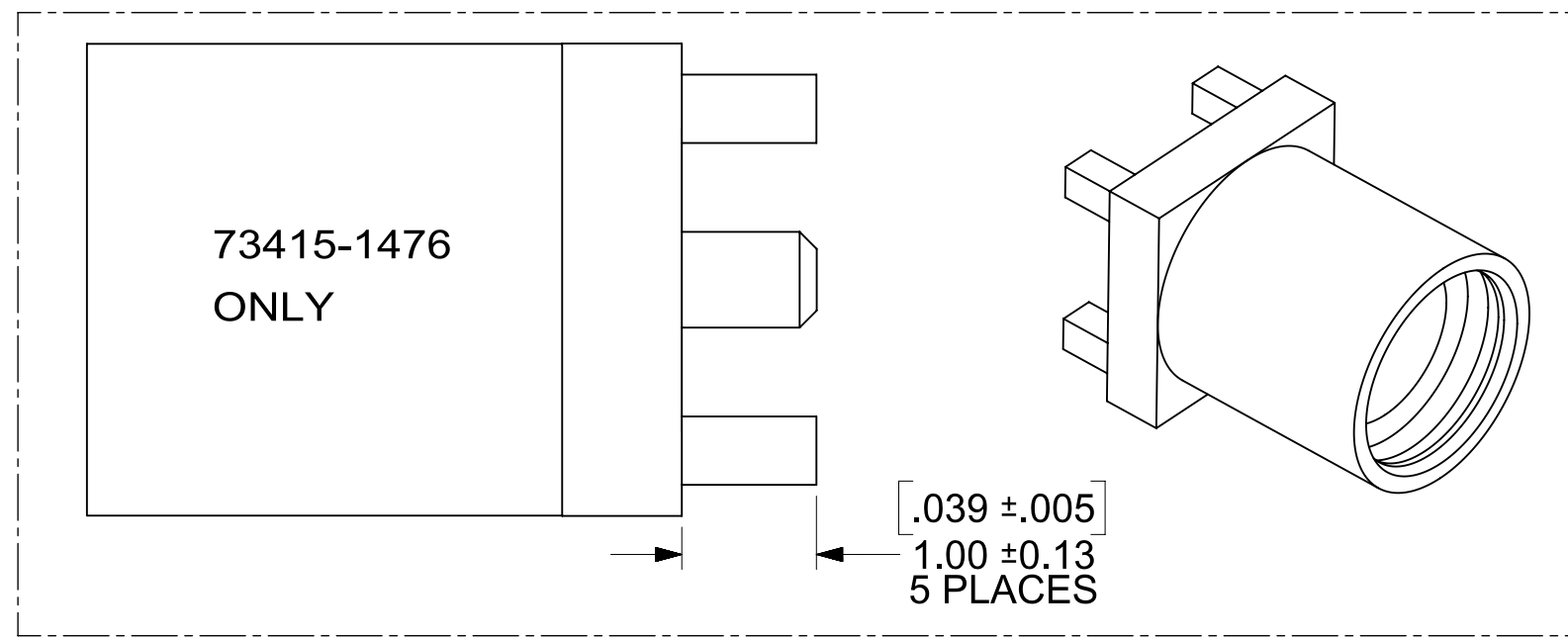
BODY SEE TABLE
PLATED SEE TABLE

CENTER CONTACT BERYLLIUM COPPER
PLATED SEE TABLE

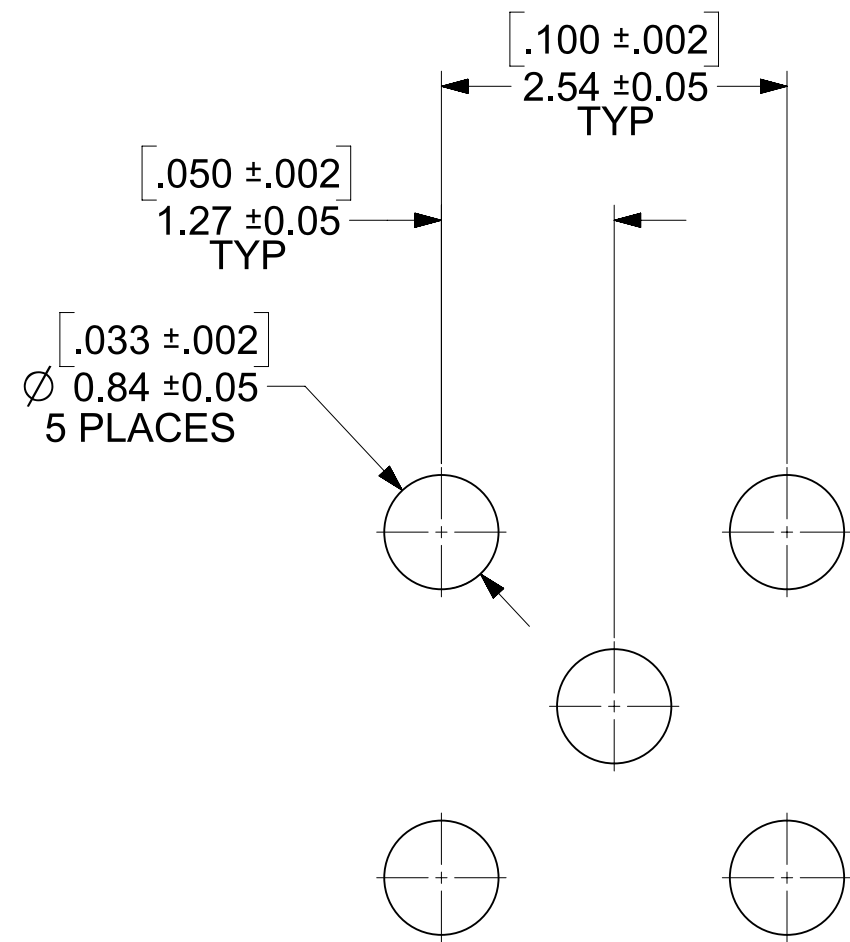
INSULATOR TEFLON

NOTE
PART # 73415-1473 IS

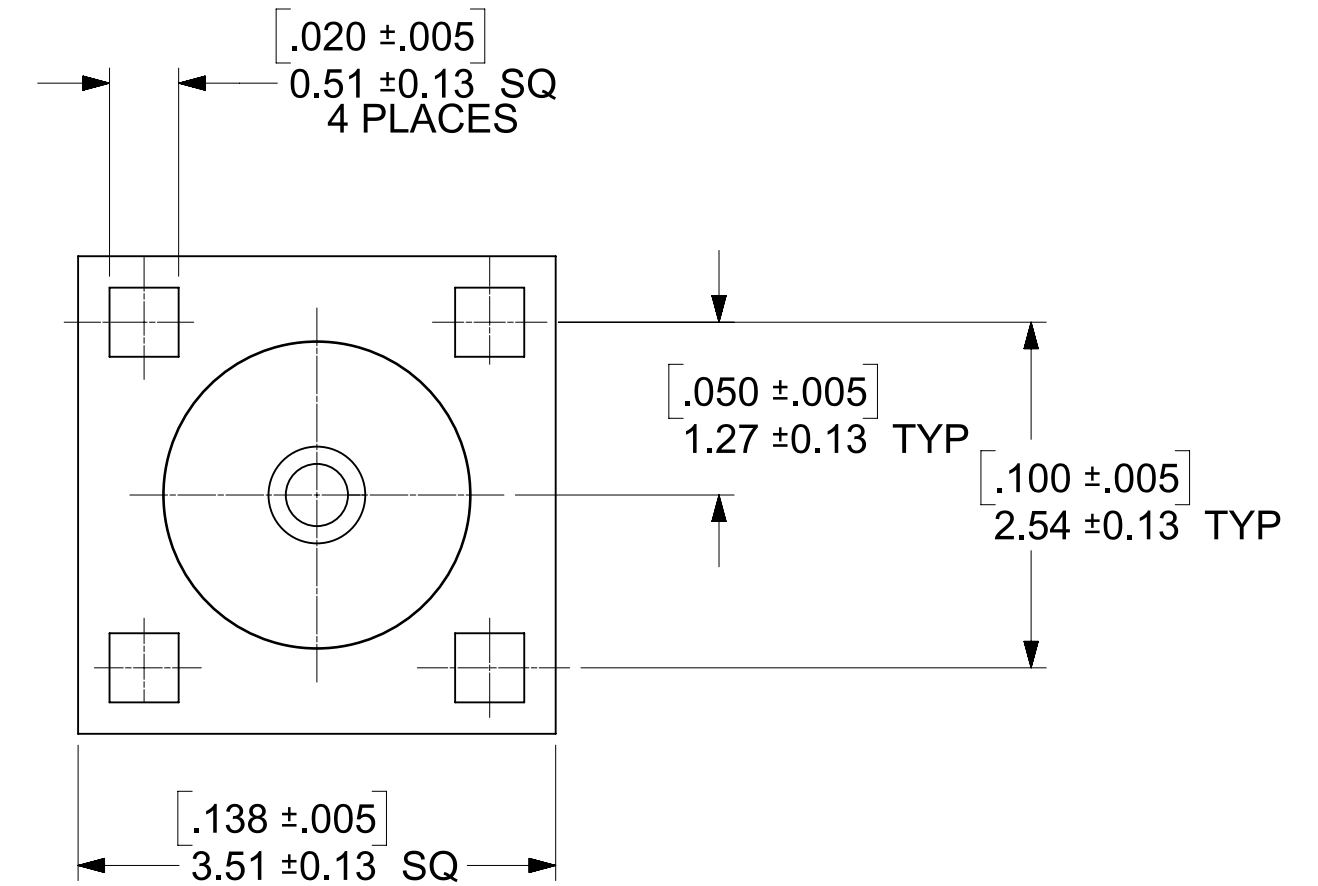
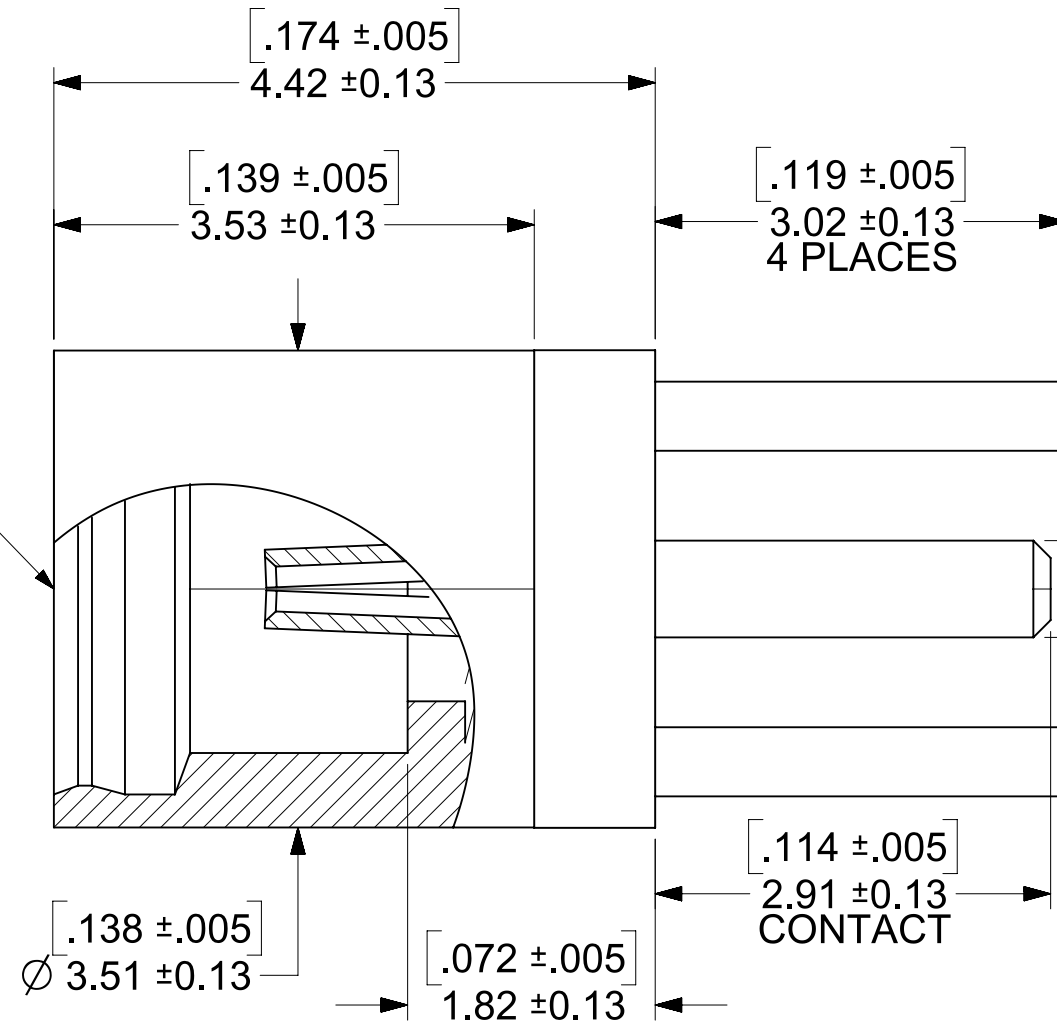
NON-MAGNETIC



MMCX JACK
INTERFACE



SUGGESTED PCB LAYOUT



73415-1477	TRAY	BRASS/GOLD 1u" (PER COMMERCIAL REQUIRMENT)	GOLD 1u"
73415-1476	TRAY (1.00 MM LEG LENGTHS)	BRASS/GOLD 1u" (PER COMMERCIAL REQUIRMENT)	GOLD 30u"
73415-1475	P/N 73415-1471 , TAPE AND REEL WITH KAPTON TAPE	BRASS/GOLD 1u" (PER COMMERCIAL REQUIRMENT)	GOLD 30u"
73415-1474	TRAY	BRASS/GOLD 1u" (PER COMMERCIAL REQUIRMENT)	GOLD 30u"
73415-1473	BAG (SEE 89542-0103 DRAWING)	BeCu/GOLD 10u" (NON MAGNETIC)	GOLD 30u"
73415-1472	P/N 73415-1471, ONE PER BAG	BRASS/GOLD 1u" (PER COMMERCIAL REQUIRMENT)	GOLD 30u"
73415-1471	BAG (SEE 89542-0102 DRAWING)	BRASS/GOLD 1u" (PER COMMERCIAL REQUIRMENT)	GOLD 30u"
73415-1470	BAG (SEE 89542-0102 DRAWING)	BRASS/ GOLD 30u" (PER MILITARY REQUIRMENT)	GOLD 50u"
PART NO.	PACKAGING	MATERIAL/PLATING (BODY)	PLATING (CENTER CONTACT)

CECC 22 340	INTERFACE
PS-89675-1920	ELECTRO/MECH PER.
SPECIFICATION	DESCRIPTION

REV	DATE	DESCRIPTION
C3	2020/04/26	ADD PLATING SPEC ON TABLE PER EWR # 13765-A
C2	2019/12/03	UPATE DESCRIPTION FOR TAPE AND REEL WITH KAPTON TAPE UPDATE VIEW TO ADD KAPTON TAPE
C1	2017/11/16	ADD TOLERANCE ON DRAWING

SYMBOLS		THIS DRAWING CONTAINS INFORMATION THAT IS PROPRIETARY TO MOLEX ELECTRONIC TECHNOLOGIES, LLC AND SHOULD NOT BE USED WITHOUT WRITTEN PERMISSION	
DIMENSION UNITS	SCALE	CURRENT REV DESC:	
HYBRID	1:1	EC NO: 636552	
GENERAL TOLERANCES (UNLESS SPECIFIED)		DRWN: JSU18	2020/04/26
ANGULAR TOL ± 2.0°		CHK'D: YCHENG	2020/04/30
4 PLACES ±		APPR: YCHENG	2020/04/30
3 PLACES ±		INITIAL REVISION:	
2 PLACES ±		DRWN: RFC_PLMIMP	2017/12/28
1 PLACE ±		APPR: JWIENER	2007/01/09
0 PLACES ±		DRAFT WHERE APPLICABLE MUST REMAIN WITHIN DIMENSIONS	
THIRD ANGLE PROJECTION		DRAWING	SERIES
C-SIZE		73415	

MMCX JACK, PCB MOUNT
50 OHMS MMCX-J/PCB

PRODUCT CUSTOMER DRAWING

DOCUMENT NUMBER	DOC TYPE	DOC PART	REVISION
SD-73415-147	PSD	001	C3

MATERIAL NUMBER	CUSTOMER	SHEET NUMBER
	GENERAL MARKET	1 OF 3

13" REEL SIZE

12.993 ±.020
 Ø 330.02 ±0.51

.647
 16.43 MIN

.502
 Ø 12.75 REF

250 MM EMPTY MIN


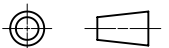
250 MM EMPTY MIN

ORDER QUANTITY PACKED

230.00 MIN

LABEL

- ORDER NO.
- QUANTITY
- PART NO.
- LOT NO.

SYMBOLS ▽ = 0 ▽ = 0 ▽ = 0 ▽ = 0 ▽ = 0 ▽ = 0 ▽ = 0 ▽ = 0 ▽ = 0 ▽ = 0	THIS DRAWING CONTAINS INFORMATION THAT IS PROPRIETARY TO MOLEX ELECTRONIC TECHNOLOGIES, LLC AND SHOULD NOT BE USED WITHOUT WRITTEN PERMISSION												
	DIMENSION UNITS	SCALE	CURRENT REV DESC:							 MMCX JACK, PCB MOUNT 50 OHMS MMCX-J/PCB			
	HYBRID	1:1											
	GENERAL TOLERANCES (UNLESS SPECIFIED)			EC NO: 636552							DOCUMENT NUMBER		
	ANGULAR TOL ± 2.0°			DRWN: JSU18 2020/04/26							DOC TYPE		
	4 PLACES ±			CHK'D: YCHENG 2020/04/30							DOC PART		
	3 PLACES ±			APPR: YCHENG 2020/04/30							REVISION		
	2 PLACES ±			INITIAL REVISION:							SD-73415-147		
	1 PLACE ±			DRWN: RFC_PLMIMP 2017/12/28							PSD 001 C3		
	0 PLACES ±			APPR: JWIENER 2007/01/09							3 OF 3		
DRAFT WHERE APPLICABLE MUST REMAIN WITHIN DIMENSIONS			THIRD ANGLE PROJECTION	DRAWING	SERIES	MATERIAL NUMBER		CUSTOMER		SHEET NUMBER			
				C-SIZE	73415	GENERAL MARKET				3 OF 3			

DOCUMENT STATUS	P1	RELEASE DATE	2020/04/30	02:36:23
-----------------	----	--------------	------------	----------