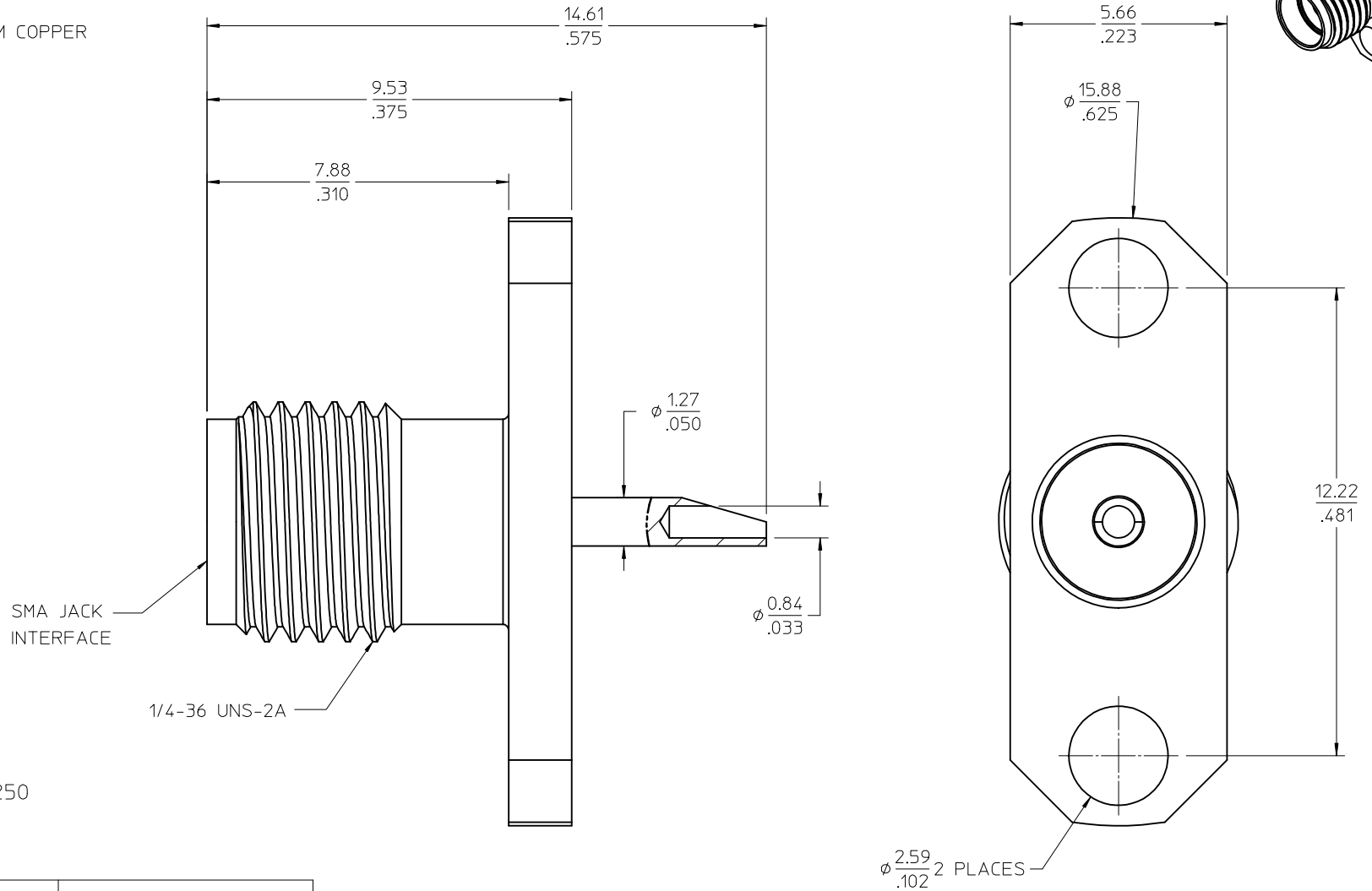
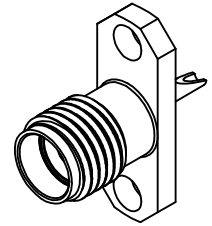


MATERIALS AND FINISHES

BODY STAINLESS STEEL  
PASSIVATED

CONTACT BERYLLIUM COPPER  
PLATED GOLD

INSULATOR TEFLON



PART # 73251-0250

MIL-STD-348A, FIG. 310-2	INTERFACE
SPECIFICATION	DESCRIPTION

CHG: REDREW IN SD EC NO: URF2010-0056 DRAWN: JWIENER 2009/07/24 CHKD: ROBERTSON 2009/07/24 APPR: JWIENER 2009/07/24	QUALITY SYMBOLS ▽=0 ▽=0	GENERAL TOLERANCES (UNLESS SPECIFIED)		DIMENSION STYLE MM/IN	SCALE 12:1	DESIGN UNITS METRIC	THIRD ANGLE PROJECTION
		4 PLACES ± --- ± --- 3 PLACES ± --- ± --- 2 PLACES ± --- ± --- 1 PLACE ± --- ± --- ANGULAR ± 2 °	DRAWN BY DATE EDC 1997/12/10 CHECKED BY DATE DHG 1998/01/09 APPROVED BY DATE GMH 1998/01/09	TITLE SMA JACK 2 HOLE FLANGE SOLDER POT RECEPTACLE SMA-JR/FL		MATERIAL NO. SEE TABLE	DOCUMENT NO. SD-73251-025
DRAFT WHERE APPLICABLE MUST REMAIN WITHIN DIMENSIONS		THIS DRAWING CONTAINS INFORMATION THAT IS PROPRIETARY TO MOLEX INCORPORATED AND SHOULD NOT BE USED WITHOUT WRITTEN PERMISSION					