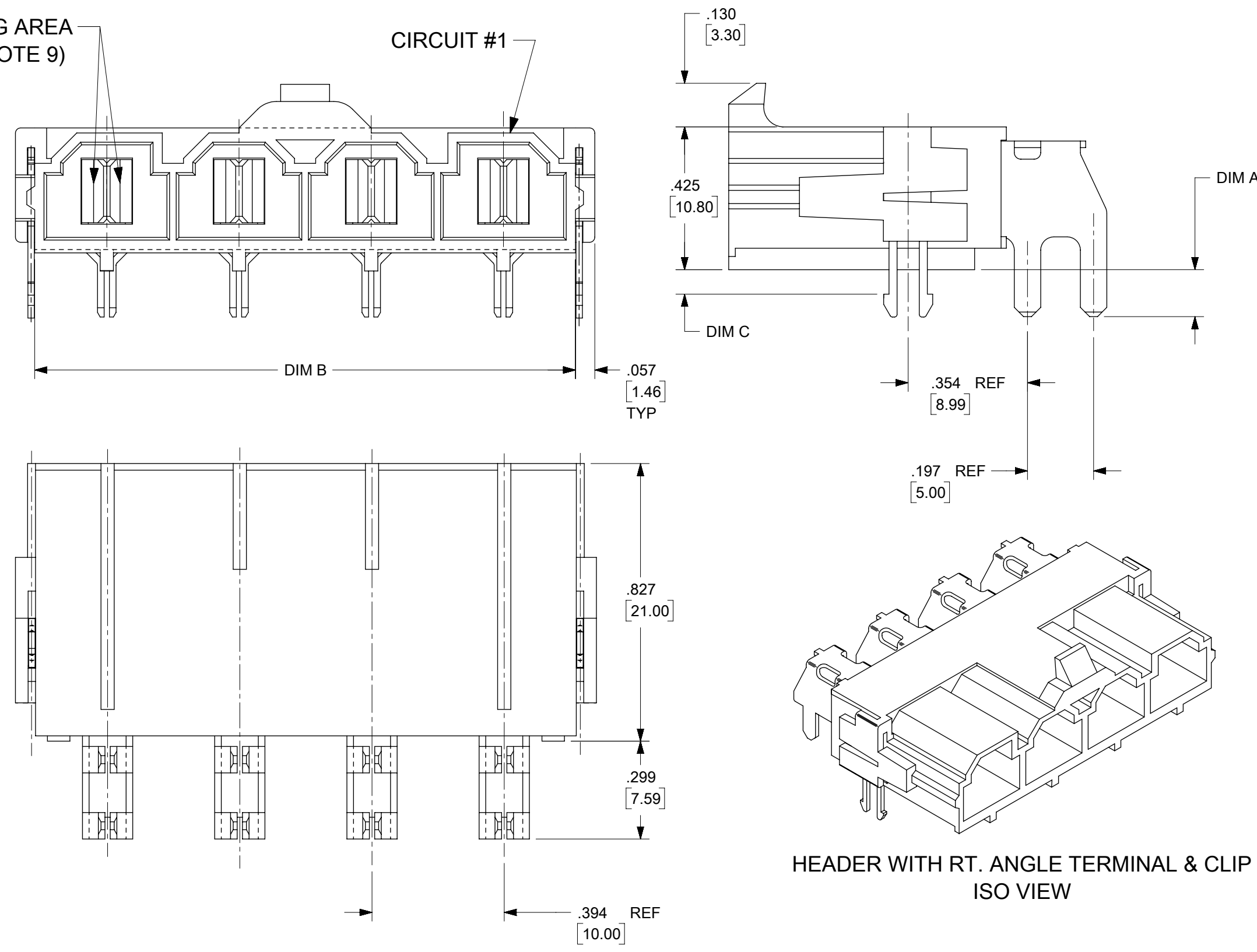


| ITEM NUMBER | CKT. SIZE | DIM."A" | DIM."B" | DIM."C" | TERMINAL PLATING | CLIP PLATING | STATUS |
|-------------|-----------|-------------|---------------|-------------|--|--------------|--------|
| 42820-2213 | 2 | .138/(3.50) | .823/(20.90) | .071/(1.80) | SELECT GOLD IN CONTACT AREA (SEE LEGEND) | | ACTIVE |
| 42820-2313 | 2 | .138/(3.50) | .823/(20.90) | N/A | | | |
| 42820-2223 | 2 | .201/(5.10) | .823/(20.90) | .102/(2.60) | | | |
| 42820-2233 | 2 | .201/(5.10) | .823/(20.90) | .134/(3.40) | | | |
| 42820-2243 | 2 | .327/(8.30) | .823/(20.90) | .259/(6.58) | | | |
| 42820-3213 | 3 | .138/(3.50) | 1.217/(30.90) | .071/(1.80) | | | |
| 42820-3228 | 3 | .138/(3.50) | 1.217/(30.90) | .102/(2.60) | | | |
| 42820-3223 | 3 | .201/(5.10) | 1.217/(30.90) | .102/(2.60) | | | |
| 42820-3233 | 3 | .201/(5.10) | 1.217/(30.90) | .134/(3.40) | | | |
| 42820-3243 | 3 | .327/(8.30) | 1.217/(30.90) | .259/(6.58) | | | |
| 42820-4213 | 4 | .138/(3.50) | 1.610/(40.90) | .071/(1.80) | SELECT MATTE TIN ON SOLDER TAILS | | ACTIVE |
| 42820-4223 | 4 | .201/(5.10) | 1.610/(40.90) | .102/(2.60) | | | |
| 42820-4233 | 4 | .201/(5.10) | 1.610/(40.90) | .134/(3.40) | | | |
| 42820-4243 | 4 | .327/(8.30) | 1.610/(40.90) | .259/(6.58) | | | |
| 42820-5213 | 5 | .138/(3.50) | 2.004/(50.90) | .071/(1.80) | | | |
| 42820-5223 | 5 | .201/(5.10) | 2.004/(50.90) | .102/(2.60) | | | |
| 42820-5233 | 5 | .201/(5.10) | 2.004/(50.90) | .134/(3.40) | | | |
| 42820-5243 | 5 | .327/(8.30) | 2.004/(50.90) | .259/(6.58) | | | |
| 42820-6213 | 6 | .138/(3.50) | 2.398/(60.90) | .071/(1.80) | | | |
| 42820-6223 | 6 | .201/(5.10) | 2.398/(60.90) | .102/(2.60) | | | |
| 42820-6233 | 6 | .201/(5.10) | 2.398/(60.90) | .134/(3.40) | | | |
| 42820-6243 | 6 | .327/(8.30) | 2.398/(60.90) | .259/(6.58) | | | |
| 42820-2214 | 2 | .138/(3.50) | .823/(20.90) | .071/(1.80) | SELECT SILVER IN CONTACT AREA (SEE LEGEND) | NONE | ACTIVE |
| 42820-2224 | 2 | .201/(5.10) | .823/(20.90) | .102/(2.60) | | | |
| 42820-2234 | 2 | .327/(8.30) | .823/(20.90) | .259/(6.58) | | | |
| 42820-2314 | 2 | .138/(3.50) | .823/(20.90) | N/A | | | |
| 42820-3214 | 3 | .138/(3.50) | 1.217/(30.90) | .071/(1.80) | | | |
| 42820-3224 | 3 | .201/(5.10) | 1.217/(30.90) | .102/(2.60) | | | |
| 42820-3234 | 3 | .201/(5.10) | 1.217/(30.90) | .134/(3.40) | | | |
| 42820-3244 | 3 | .327/(8.30) | 1.217/(30.90) | .259/(6.58) | | | |
| 42820-3314 | 3 | .138/(3.50) | 1.217/(30.90) | N/A | | | |
| 42820-4214 | 4 | .138/(3.50) | 1.610/(40.90) | .071/(1.80) | | | |
| 42820-4224 | 4 | .201/(5.10) | 1.610/(40.90) | .102/(2.60) | | | |
| 42820-4234 | 4 | .201/(5.10) | 1.610/(40.90) | .134/(3.40) | | | |
| 42820-4244 | 4 | .327/(8.30) | 1.610/(40.90) | .259/(6.58) | | | |
| 42820-5214 | 5 | .138/(3.50) | 2.004/(50.90) | .071/(1.80) | SELECT MATTE TIN ON SOLDER TAILS | | ACTIVE |
| 42820-5224 | 5 | .201/(5.10) | 2.004/(50.90) | .102/(2.60) | | | |
| 42820-5234 | 5 | .201/(5.10) | 2.004/(50.90) | .134/(3.40) | | | |
| 42820-5244 | 5 | .327/(8.30) | 2.004/(50.90) | .259/(6.58) | | | |
| 42820-5314 | 5 | .138/(3.50) | 2.004/(50.90) | N/A | | | |
| 42820-6214 | 6 | .138/(3.50) | 2.398/(60.90) | .071/(1.80) | | | |
| 42820-6224 | 6 | .201/(5.10) | 2.398/(60.90) | .102/(2.60) | | | |
| 42820-6234 | 6 | .201/(5.10) | 2.398/(60.90) | .134/(3.40) | | | |
| 42820-6244 | 6 | .327/(8.30) | 2.398/(60.90) | .259/(6.58) | | | |
| 42820-2294 | 2 | .138/(3.50) | 0.823/(20.90) | .071/(1.80) | | | |
| 42820-4294 | 4 | .138/(3.50) | 1.610/(40.90) | .071/(1.80) | | | |

NOTE:
1) MATERIAL:
HOUSING MATERIAL:30% GLASS-FILLED NYLON 4/6, U.L.94V-0, COLOR: BLACK.
TERMINAL MATERIAL ALLOY 151.
2) FINISH: 2= .000100/(.00254) MIN. TIN OVER .000050/(.00127) MIN. NICKEL.
3= .000030/(.00076) MIN. SELECT GOLD IN CONTACT AREA.
OVER .000050/(.00127) MIN NICKEL.
4= .000100/(.00254) MIN SELECT SILVER IN CONTACT AREA
.000100/(.00254) MIN. SELECT TIN ON SOLDER TAILS
OVER .000050/(.00127) MIN NICKEL.
3) PRODUCT SPECIFICATION: PS-42815-001.
4) PACKAGING INFORMATION SEE MOLEX PACKING SPEC. PK-42820-910
5) PART MATES WITH MOLEX RECEPTACLE *42816-***2 WITH TPA.
6) PART IS DESIGNED IN METRIC.
7) AN "X" IN FRONT OF THE ITEM NUMBER INDICATES THE PART IS NOT TOOLED.
8) PARTS ARE NOT TO BE MATED OR UNMATED WHILE CIRCUITS ARE LIVE
9) WHEN USING OVERALL TIN PLATED TERMINALS:
FOR APPLICATIONS INVOLVING VIBRATION AND/OR TERMINAL CYCLING, MOLEX STRONGLY RECOMMENDS THE USE OF NYE LUBRICANT (NYOGEL 760G) ON THE MATING SURFACES OF THE TERMINAL.
10) PARTS CONFORMS TO CLASS 'B' REQUIRMENTS OF COSMETIC SPECIFICATIONS PS-45499-002
11) FOR TAPE AND REEL PACKAGING REFER TO PK-45986-004
12) BOARD CLIP HOLE MAY OR MAY NOT BE PLATED. REFER TO CHART FOR PLATED / UNPLATED CLIPS.
13) REFER AS-42815-001 FOR TIN PLATED TERMINALS RECOMMENDED LUBRICATION PROCEDURE.
14) FOR PN 42820**9 PLEASE REFER TO MOLEX PACAKAGING SPEC. 428204294-PK.

MATING AREA (SEE NOTE 9)



LEGEND :

A-42820 - * * * *
CIRCUIT SIZE (2-6)
PLATING
2 OR 9 = OVERALL BRIGHT TIN OVER NICKEL
3 OR 8 = SELECT GOLD IN CONTACT AREA
SELECT MATTE TIN ON SOLDER TAILS OVER NICKEL
4 = SELECT SILVER IN CONTACT AREA
SELECT MATTE TIN ON SOLDER TAILS OVER NICKEL

MOUNTING OPTION
1 = FLANGES (SEE DWG SDA-42820-*1**)
2 = RETENTION CLIP
3 = NO RETENTION CLIP

P.C. BOARD THICKNESS
1 = .062/(1.57) NOMINAL
2 = .093/(2.36) NOMINAL
3 = .125/(3.18) NOMINAL
4 = .250/(6.35) NOMINAL
9 = .062/(1.57) NOMINAL WITH 428204294-PK ⁽¹⁴⁾



| | | | | | | | | | |
|---|--|---------|--|---|--|-----------------|--|----------------------------|--|
| THIS DRAWING CONTAINS INFORMATION THAT IS PROPRIETARY TO MOLEX ELECTRONIC TECHNOLOGIES, LLC AND SHOULD NOT BE USED WITHOUT WRITTEN PERMISSION | | | | | | | | | |
| DIMENSION UNITS | | SCALE | | CURRENT REV DESC: | | | | | |
| mm | | 3:1 | | molex | | | | | |
| GENERAL TOLERANCES (UNLESS SPECIFIED) | | | | MINI-FIT SR. RIGHT ANGLE HEADER ASSEMBLY | | | | | |
| ANGULAR TOL ± 0.5° | | | | PRODUCT CUSTOMER DRAWING | | | | | |
| 4 PLACES ± | | | | EC NO: 714707 | | 2022/07/18 | | DOCUMENT NUMBER | |
| 3 PLACES ± | | | | DRWN: KEVINS31 | | 2022/07/19 | | SDA-42820-0002 | |
| 2 PLACES ± 0.25 | | | | CHK'D: KEVINS31 | | 2022/07/19 | | DOC TYPE DOC PART REVISION | |
| 1 PLACE ± 0.4 | | | | APPR: ISHWARG | | 2022/07/19 | | PSD 001 J2 | |
| 0 PLACES ± | | | | INITIAL REVISION: | | 2018/11/02 | | SHEET NUMBER | |
| DRAFT WHERE APPLICABLE MUST REMAIN WITHIN DIMENSIONS | | | | DRWN: RFC_PLMIMP | | 2001/07/18 | | 1 OF 2 | |
| THIRD ANGLE PROJECTION | | DRAWING | | SERIES | | MATERIAL NUMBER | | CUSTOMER | |
| C-SIZE | | 42820 | | SEE CHART | | GENERAL MARKET | | | |

| | | | | |
|-----------------|----|--------------|------------|----------|
| DOCUMENT STATUS | P1 | RELEASE DATE | 2022/07/19 | 07:07:23 |
|-----------------|----|--------------|------------|----------|

| ITEM NUMBER | CKT. SIZE | DIM."A" | DIM."B" | DIM."C" | TERMINAL PLATING | CLIP PLATING | STATUS |
|-------------|-----------|-------------|---------------|-------------|--------------------|--------------|--------------------------|
| 42820-2212 | 2 | .138/(3.50) | .823/(20.90) | .071/(1.80) | OVERALL BRIGHT TIN | NONE | PLANNED FOR OBSOLESCENCE |
| 42820-2219 | 2 | .138/(3.50) | .823/(20.90) | .071/(1.80) | | | |
| 42820-2222 | 2 | .201/(5.10) | .823/(20.90) | .102/(2.60) | | | |
| 42820-2232 | 2 | .201/(5.10) | .823/(20.90) | .134/(3.40) | | | |
| 42820-2239 | 2 | .201/(5.10) | .823/(20.90) | .134/(3.40) | | | |
| 42820-2242 | 2 | .327/(8.30) | .823/(20.90) | .259/(6.58) | | | |
| 42820-3212 | 3 | .138/(3.50) | 1.217/(30.90) | .071/(1.80) | | | |
| 42820-3222 | 3 | .201/(5.10) | 1.217/(30.90) | .102/(2.60) | | | |
| 42820-3229 | 3 | .201/(5.10) | 1.217/(30.90) | .102/(2.60) | | | |
| 42820-3232 | 3 | .201/(5.10) | 1.217/(30.90) | .134/(3.40) | | | |
| 42820-3242 | 3 | .327/(8.30) | 1.217/(30.90) | .259/(6.58) | | | |
| 42820-4212 | 4 | .138/(3.50) | 1.610/(40.90) | .071/(1.80) | | | |
| 42820-4312 | 4 | .138/(3.50) | 1.610/(40.90) | N/A | | | |
| 42820-4222 | 4 | .201/(5.10) | 1.610/(40.90) | .102/(2.60) | | | |
| 42820-4232 | 4 | .201/(5.10) | 1.610/(40.90) | .134/(3.40) | | | |
| 42820-4242 | 4 | .327/(8.30) | 1.610/(40.90) | .259/(6.58) | | | |
| 42820-5212 | 5 | .138/(3.50) | 2.004/(50.90) | .071/(1.80) | | | |
| 42820-5222 | 5 | .201/(5.10) | 2.004/(50.90) | .102/(2.60) | | | |
| 42820-5232 | 5 | .201/(5.10) | 2.004/(50.90) | .134/(3.40) | | | |
| 42820-5242 | 5 | .327/(8.30) | 2.004/(50.90) | .259/(6.58) | | | |
| 42820-6212 | 6 | .138/(3.50) | 2.398/(60.90) | .071/(1.80) | | | |
| 42820-6222 | 6 | .201/(5.10) | 2.398/(60.90) | .102/(2.60) | | | |
| 42820-6229 | 6 | .201/(5.10) | 2.398/(60.90) | .102/(2.60) | | | |
| 42820-6232 | 6 | .201/(5.10) | 2.398/(60.90) | .134/(3.40) | | | |
| 42820-6242 | 6 | .327/(8.30) | 2.398/(60.90) | .259/(6.58) | | | |
| 42820-2332 | 2 | .201/(5.10) | .823/(20.90) | N/A | | | |
| 42820-2342 | 2 | .327/(8.30) | .823/(20.90) | N/A | | | |

SEE NOTE 11



RECOMMENDED P.C. BOARD PLATED -THRU HOLE LAYOUT
(4 CKT. SHOWN FOR REF.)

| | | | | | | | | | |
|---|--|------------------------|--|-----------------------------|--|----------------|--|---|--|
| THIS DRAWING CONTAINS INFORMATION THAT IS PROPRIETARY TO MOLEX ELECTRONIC TECHNOLOGIES, LLC AND SHOULD NOT BE USED WITHOUT WRITTEN PERMISSION | | | | | | | | | |
| DIMENSION UNITS | | SCALE | | CURRENT REV DESC: | | | | molex | |
| mm | | 3:1 | | | | | | | |
| GENERAL TOLERANCES (UNLESS SPECIFIED) | | | | EC NO: 714707 | | | | MINI-FIT SR. RIGHT ANGLE HEADER ASSEMBLY | |
| ANGULAR TOL ± 0.5° | | | | DRWN: KEVINS31 2022/07/18 | | | | | |
| 4 PLACES ± | | | | CHK'D: KEVINS31 2022/07/19 | | | | | |
| 3 PLACES ± | | | | APPR: ISHWARG 2022/07/19 | | | | PRODUCT CUSTOMER DRAWING | |
| 2 PLACES ± 0.25 | | | | INITIAL REVISION: | | | | | |
| 1 PLACE ± 0.4 | | | | DRWN: RFC_PLMIMP 2018/11/02 | | | | DOCUMENT NUMBER | |
| 0 PLACES ± | | | | APPR: JCOMERCI 2001/07/18 | | | | SDA-42820-0002 | |
| DRAFT WHERE APPLICABLE MUST REMAIN WITHIN DIMENSIONS | | THIRD ANGLE PROJECTION | | DRAWING | | SERIES | | MATERIAL NUMBER | |
| | | C-SIZE | | 42820 | | SEE CHART | | CUSTOMER | |
| | | | | | | GENERAL MARKET | | SHEET NUMBER | |
| | | | | | | 2 OF 2 | | | |