

REV. A		SHEET 1 OF 2		DOCUMENT NO. RVPX-P08DXX	
REVISIONS M					
LTR	DESCRIPTION			DATE	
A	INITIAL RELEASE			01-MAR-19	

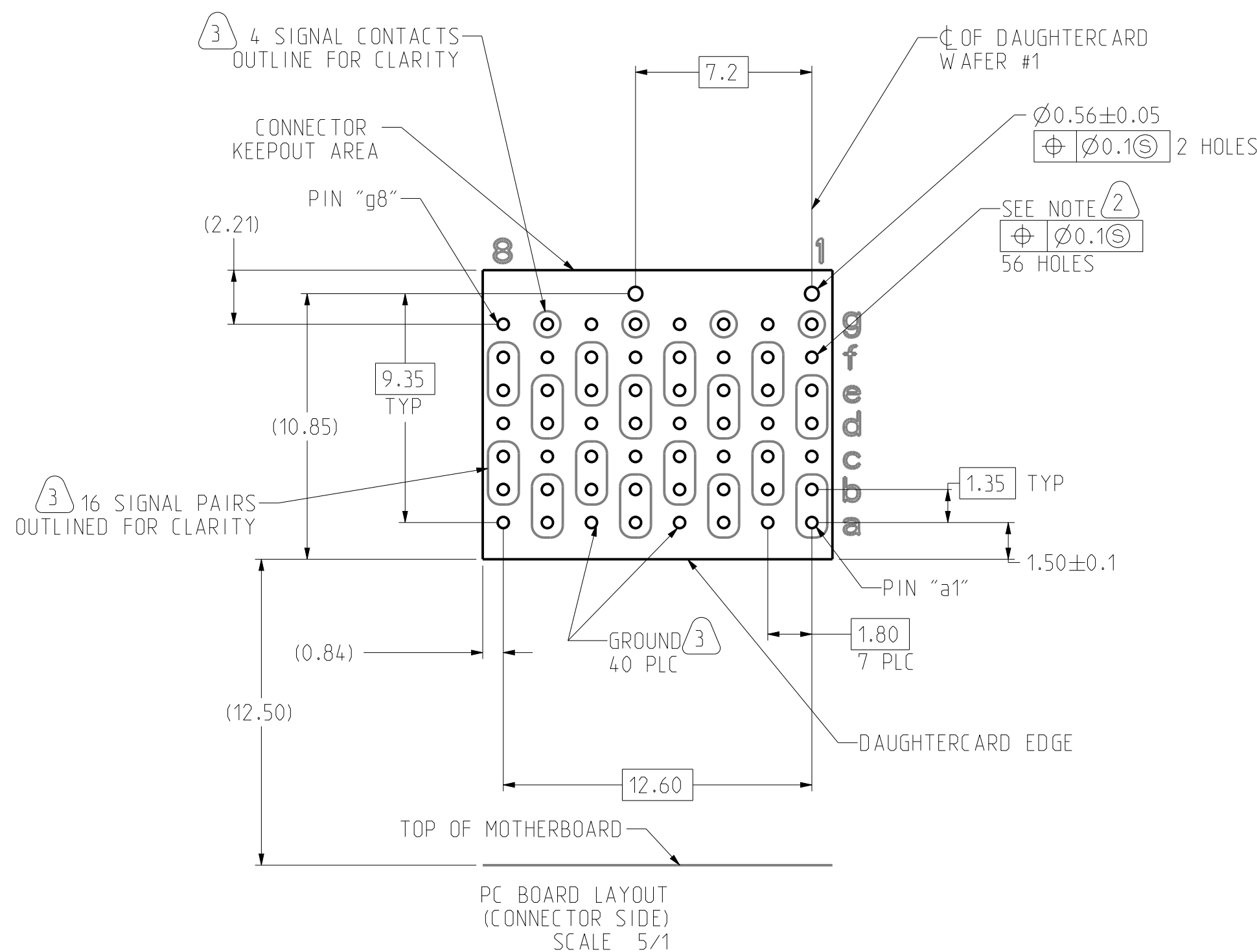
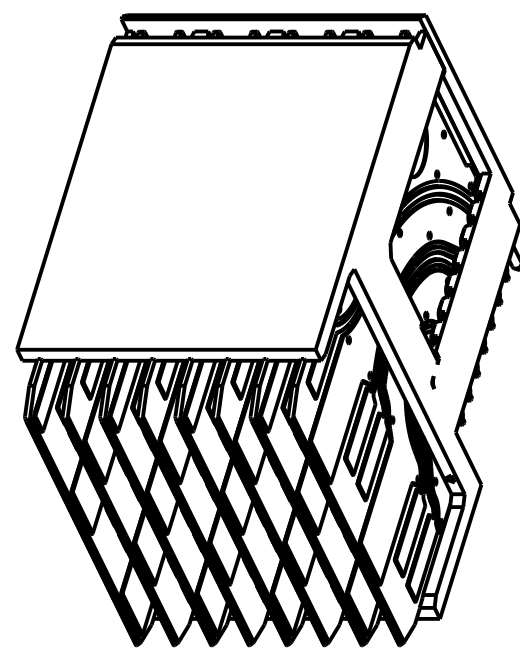


TABLE 1
INTERCONNECTIONS WITH BACKPLANE CONNECTOR RVPX-J08EXX

TYPICAL INTERCONNECTIONS FOR COLUMN (WAFER): 2,4,6,8		
CONTACT USAGE	DAUGHTERCARD CONNECTOR PIN	BACKPLANE CONNECTOR PIN
SIGNAL PAIR	bx	cx
SIGNAL PAIR	cx	dx
SIGNAL PAIR	ex	gx
SIGNAL PAIR	fx	hx
GROUND	ax, dx, gx, (ALL COMMONED)	ax, bx, ex, fx, ix

TYPICAL INTERCONNECTIONS FOR COLUMN (WAFER): 1,3,5,7		
CONTACT USAGE	DAUGHTERCARD CONNECTOR PIN	BACKPLANE CONNECTOR PIN
SIGNAL PAIR	ax	ax
SIGNAL PAIR	bx	bx
SIGNAL PAIR	dx	ex
SIGNAL PAIR	ex	fx
SIGNAL PAIR	gx	ix
GROUND	cx, fx, (ALL COMMONED)	cx, dx, gx, hx

NOTE: "x" DESIGNATES THE COLUMN NUMBER

TABLE 2

PLATING THICKNESS AND MATERIAL BY PART NUMBER			
PART NUMBER	GOLD IN CONTACT AREA	COMPLIANT	NICKEL OVERALL
RVPX-P08DM1	50 µ-INCH MIN	50 µ-INCH MIN TIN	50 µ-INCH MIN
RVPX-P08DM2	50 µ-INCH MIN	50 µ-INCH MIN TIN-LEAD	50 µ-INCH MIN
RVPX-P08DC1	30 µ-INCH MIN	50 µ-INCH MIN TIN	50 µ-INCH MIN
RVPX-P08DC2	30 µ-INCH MIN	50 µ-INCH MIN TIN-LEAD	50 µ-INCH MIN

- 4 SEE TABLE 2 FOR PART NUMBER AND FINISHES
- 3 SEE TABLE 1 FOR INTERCONNECTIONS TO BACKPLANE CONNECTOR
- 2 PTH CALLOUT TYPICAL HOLE
Ø0.53-.57 DRILL
Ø0.46 ±.05 FINISH HOLE
Ø0.92 PAD
- 1 HOUSING: GLASS FILLED LCP, UL94 - V0
CONTACT: CU ALLOY
POST: STAINLESS STEEL, PASSIVATED

NOTES:

THE USE OF THIS DOCUMENT IS UNLIMITED. HOWEVER, DOCUMENTS REFERENCED HEREON MAY CONTAIN LIMITED RIGHTS DATA.

RELEASED / May. 09 2019, 3:34:51 PM

DOCUMENT NO. RVPX-P08DXX

SHEET 1 OF 2

REV. A

NONE

NEXT ASSEMBLY

PRO/ENGINEER INFORMATION
Pro/e Model Used:
426-0010-005.PART
Drawing Name:
RVPX-P08DXX

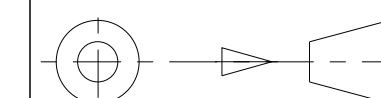
UNLESS OTHERWISE SPECIFIED
SPECIFICATIONS
MATERIAL SPEC.
N/A
PROCESS SPEC.
9-3895
9-3856-5

LINEAR DIMENSIONS ARE IN MILLIMETERS
TOLERANCES:
.XXXX = ±. - ANGLES = ±1°
.XXX = ±.
.XX = ±.13
.X = ±.5

DIM. & TOL. PER ASME Y14.5M;
DRM PER MIL-DTL-31000;
OTHER Amphenol Stds. PER 9-3800

LEGENDS:
= FLAG NOTE CALL OUT REFERENCE ONLY

POS	QTY	PART NUMBER	DESCRIPTION	NOTE
PARTS LIST				
AMPHENOL CORPORATION 40-60 DELAWARE AVENUE SIDNEY, N.Y. 13858				
RIGHT ANGLE PLUG ASSEMBLY HALF CENTER, RVPX DAUGHTERCARD CONNECTOR, VITA 46				
SIZE C	CAGE CODE 77820	DOCUMENT NO. RVPX-P08DXX	REV. A	
SCALE: 3/1		REF. RVPX-P08VXX	SHEET 1 OF 2	



DOCUMENT NO. RVPX-P08DXX SHEET 1 OF 2 REV. A

REVISION 0 REV. A Eng. PDM Information For Reference Only SHEET 1 OF 2 DOCUMENT NO. RVPX-P08DXX

RVPX-P08DXX

SHEET 2 OF 2

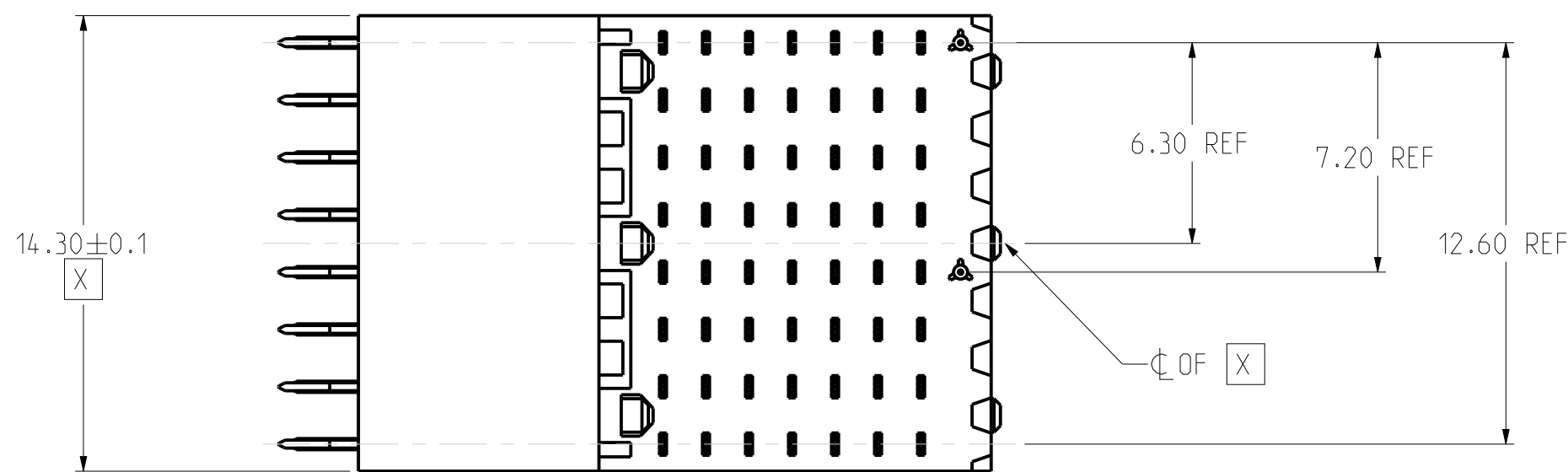
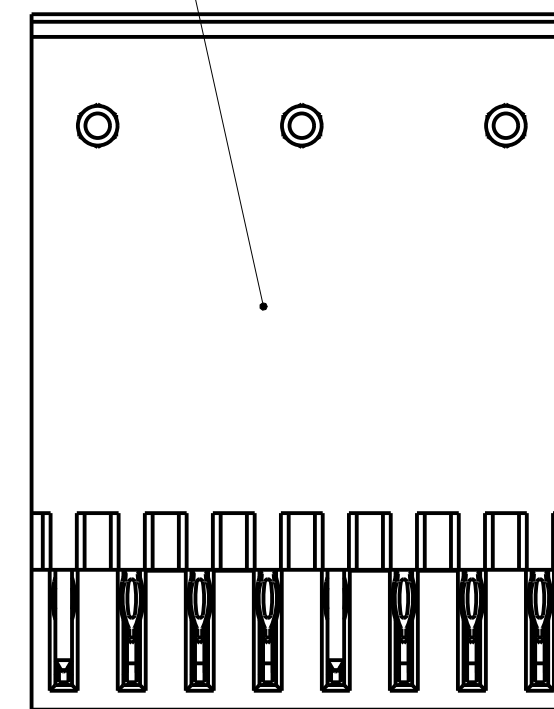
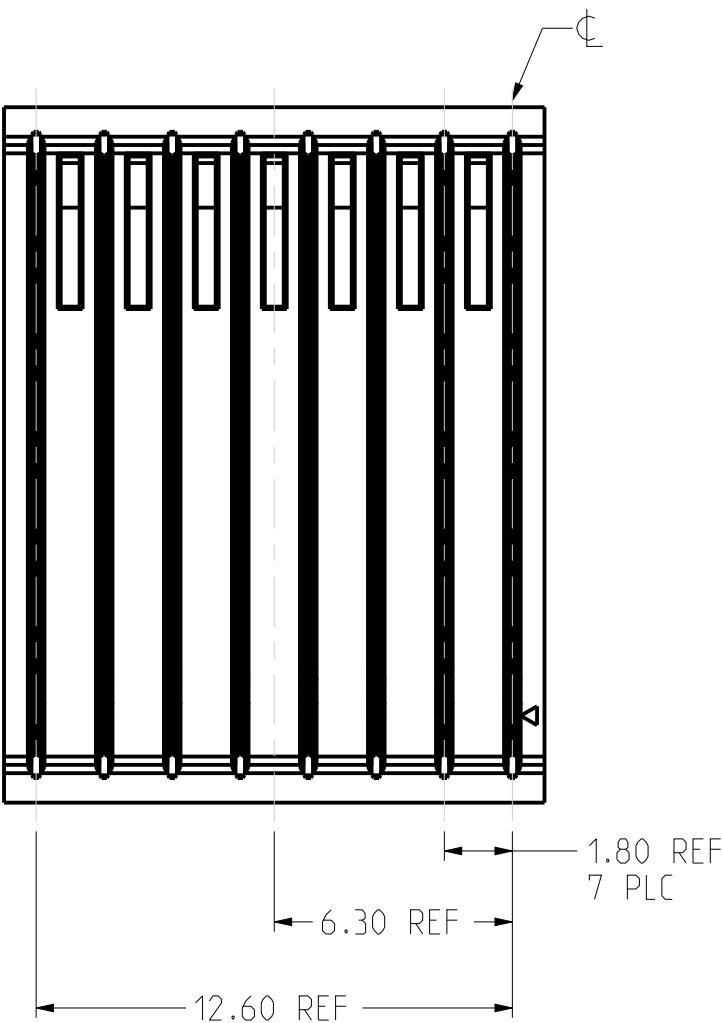
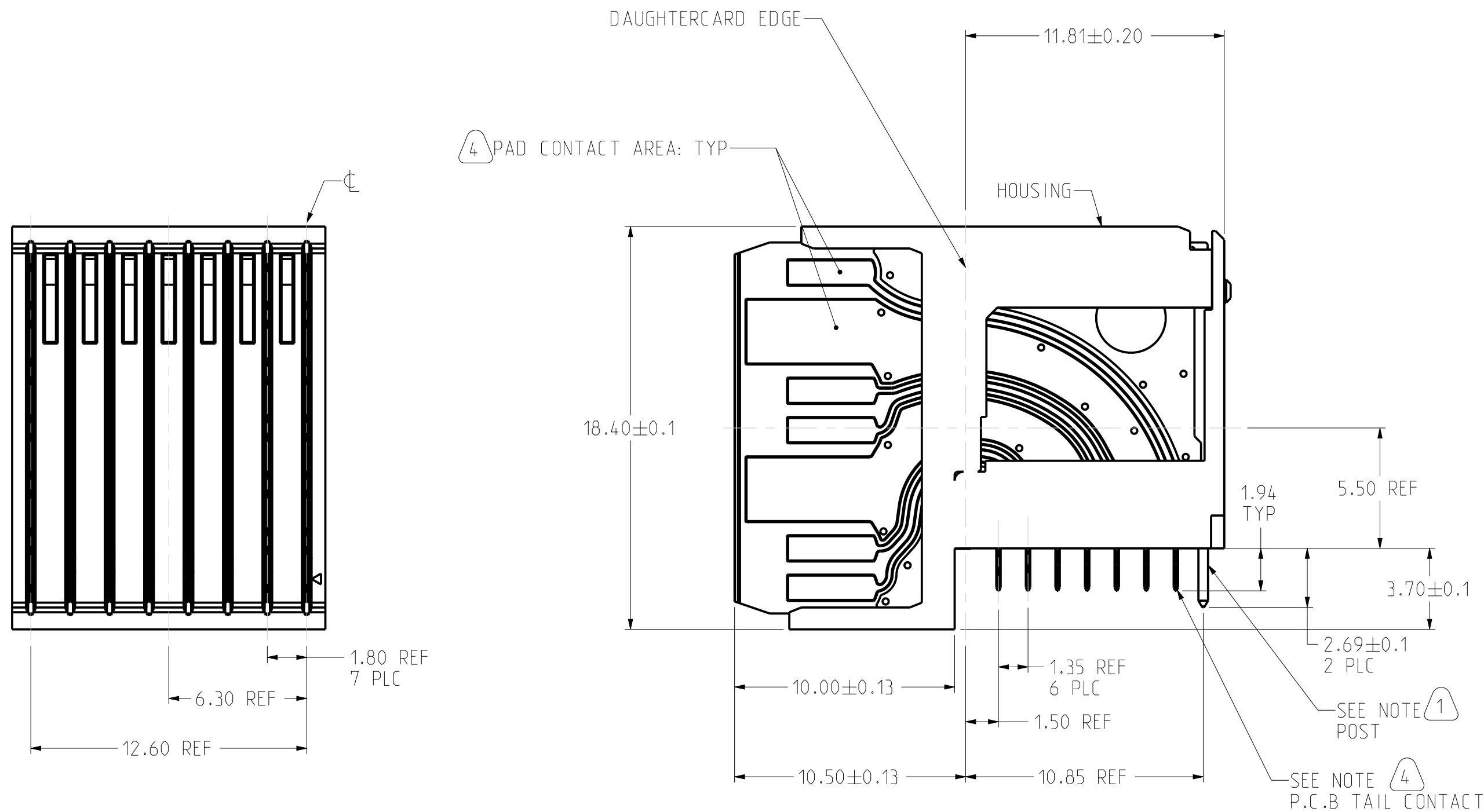
REV. A

C

B

A

PART MARKING AS FOLLOWS
AMPHENOL 77820
'AAO PART NUMBER' (SEE TABLE 1)
'DATE CODE'
'WORK ORDER NUMBER AS LOT NUMBER'



NOTES:

THE USE OF THIS DOCUMENT IS UNLIMITED.
HOWEVER, DOCUMENTS REFERENCED HEREON
MAY CONTAIN LIMITED RIGHTS DATA.

RELEASED / May. 09 2019, 3:34:51 PM

RVPX-P08DXX

SHEET 2 OF 2

REV. A

SIZE C	CAGE CODE 77820	DOCUMENT NO. RVPX-P08DXX	REV. A
SCALE: 3/1		REF: RVPX-P08VXX	SHEET 2 OF 2

D

C

0

A

Eng. PDM Information
For Reference Only

REV. A

SHEET 2 OF 2

RVPX-P08DXX

REV. A