



IP 67

RoHS

REACH

## PFB-5252-2 Stainless Steel Float

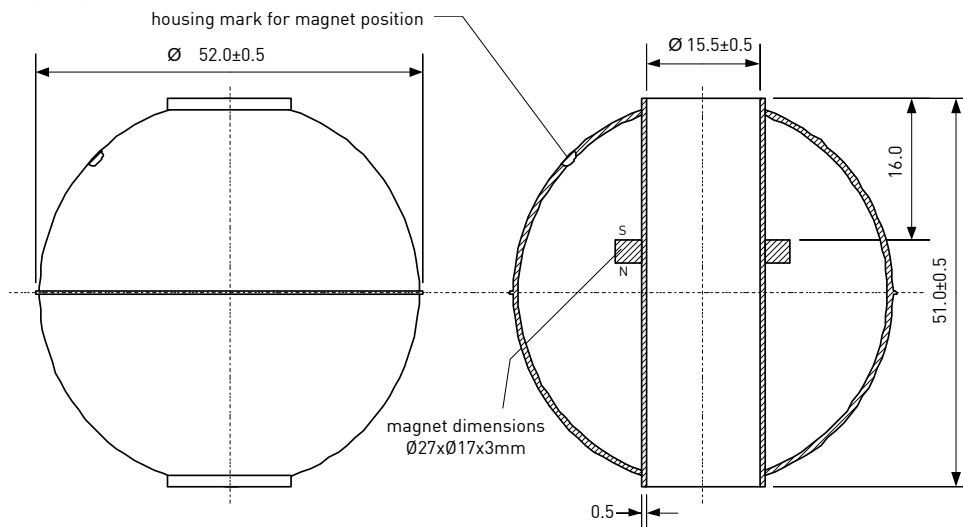
### Data

Float housing	Stainless Steel 316L, mechanically polished
Magnet	Ferrite
Magnetical Orientation	axially

Remanence Br	mT	225
Coercivity HcB	kA/m	151
Coercivity HcJ	kA/m	271
Energy density BHmax.	mT	0.105
Operating Temperature	°C	-10 to 180

Nominal values unless otherwise specified.

### Dimensions in mm



### Mechanical Characteristics

@ 25°C

Density of float typ. *	g/cm <sup>3</sup>	0.6
Recommended minimum gravity of medium	g/cm <sup>3</sup>	Density of float + 20%
Pressure max.	MPa	2.0

\* In delivery condition

### Ordering Information

Packing Unit	500 pcs
Weight per piece	31.0 g±0.5g