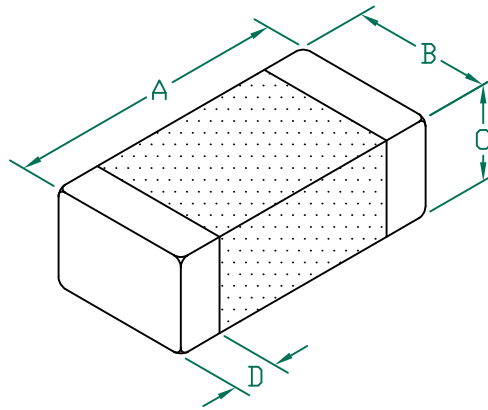


# HZ1206D102R-10

**UNCONTROLLED DOCUMENT**

**PHYSICAL DIMENSIONS:**

A	3.20 [.126]	+ 0.20 [.008]
B	1.60 [.063]	+ 0.20 [.008]
C	1.10 [.043]	+ 0.20 [.008]
D	0.51 [.020]	+ 0.25 [.010]

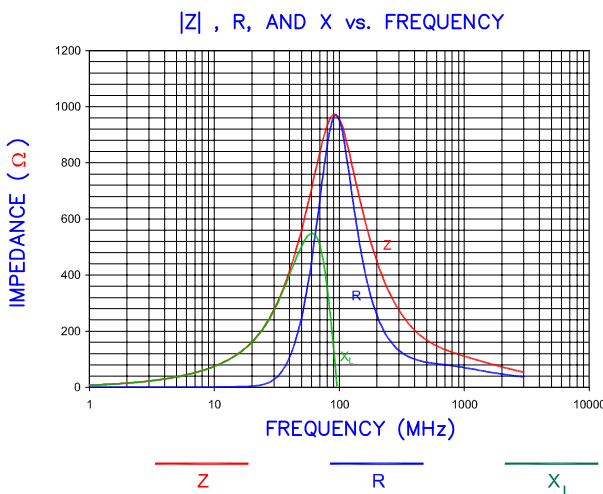
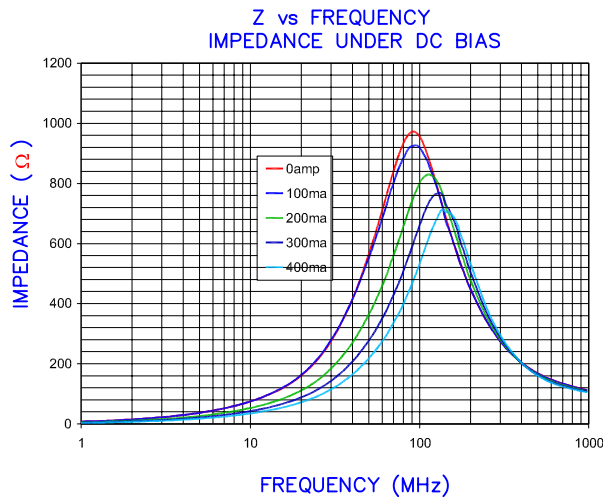


**ELECTRICAL CHARACTERISTICS:**

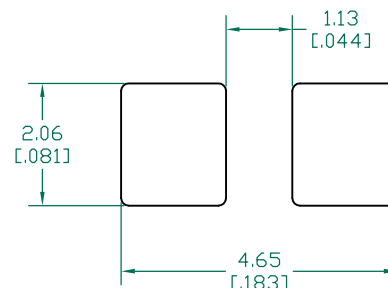
Z @ 100MHz (Ω)	DCR (Ω)	Rated Current
Nominal	1000	
Minimum	750	
Maximum	1250	0.400 400 mA

NOTES: UNLESS OTHERWISE SPECIFIED

1. TAPED AND REELED per CURRENT EIA SPECIFICATIONS 7" REELS, 3000 PCS/REEL.
2. TERMINATION FINISH IS 100% TIN.
3. COMPONENTS SHOULD BE ADEQUATELY PREHEATED BEFORE SOLDERING.
4. OPERATING TEMP. RANGE: -40°C~+125°C (INCLUDING SELF-HEATING)

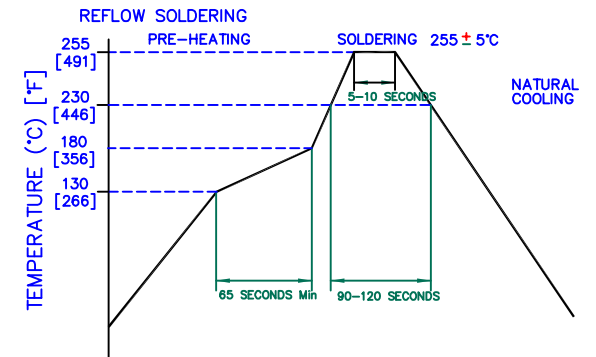


**LAND PATTERNS FOR REFLOW SOLDERING**



(For wave soldering, add 0.762 [.030] to this dimension)

**RECOMMENDED SOLDERING CONDITIONS**



DIMENSIONS ARE IN mm [INCHES].				This print is the property of Laird Tech. and is loaned in confidence subject to return upon request and with the understanding that no copies shall be made without the written consent of Laird Tech. All rights to design or invention are reserved.			
PROJECT/PART NUMBER: HZ1206D102R-10				REV: C	PART TYPE: CO-FIRE	DRAWN BY: TMB	
C	ADD OPERATING TEMPERATURE UPDATE LAIRD LOGO AND REFLOW CURVE	08/05/13	QU				
B	UPDATE COMPANY LOGO ADD ROHS	03/24/08	JRK	DATE: 04/03/04	SCALE: NTS	SHEET: 2 of 2	
A	ORIGINAL DRAFT	04/03/04	TMB				
REV	DESCRIPTION	DATE	INT	GAD # HZ1206D102R-10-C	TOOL # -		