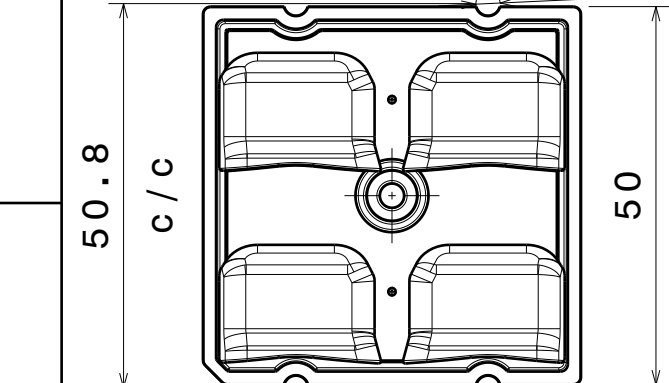
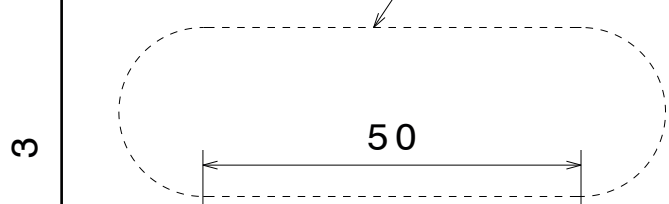
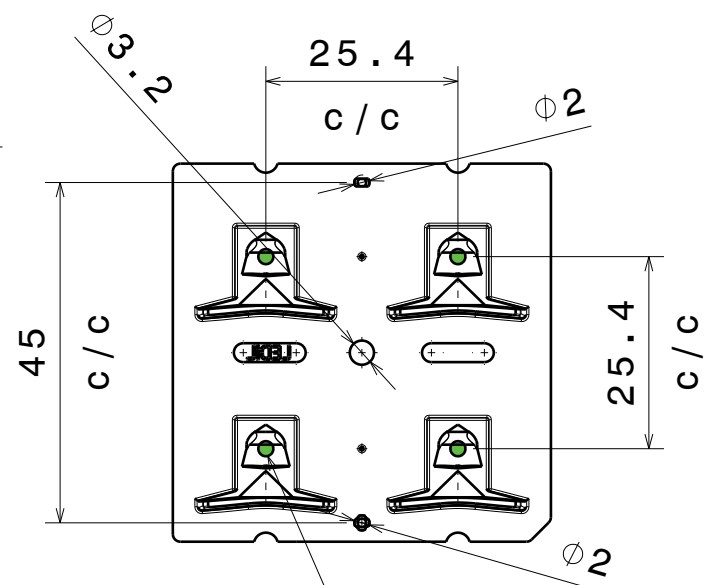


Front view

Isometric view  
Scale: 1:1



Top view

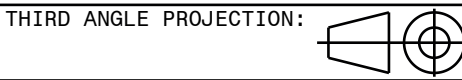


Bottom view

INDEX	PART NO	DESCRIPTION	MATERIAL	COLOUR
1	C16473	STRADA-2X2-SCL-PC	PC	CLEAR

Plastic moulding general tolerances according to DIN 16901-130 and applies if not otherwise shown in the drawing. Silicone moulding general tolerances according to ISO 3302-1 Class M3 and applies if not otherwise shown in the drawing.

**LEDiL** Ledil Oy  
Salorankatu 10  
FIN 24240 SALO  
Finland



DRAWING TITLE  
**C16473\_STRADA-2X2-SCL-PC**

This drawing is the property of LEDiL Oy. It may not be reproduced, copied or communicated without a written agreement with LEDiL Oy.

SIZE	PART NUMBER
A4	C16473

SCALE	1:1	WEIGHT	9,35 g	SHEET	1/1
-------	-----	--------	--------	-------	-----