

American Bright's 120V AC Plug & Play lighting fixture



Features:

- UL listed (UL 1598: Luminaire)
- 120V AC direct power
- Wet & damp locations applicable
- 5VA polymer lens protection
- High lumen output (>1000lm/ft)
- No hot spots
- Good heat dissipation (no extra heat sink required)
- Size available in 1' and 2'

Applications:

- General Lighting
- Office furniture
- Ceiling Lights
- Indicator
- Indoor Lighting
- Under Cabinet Lighting
- Spot Lights

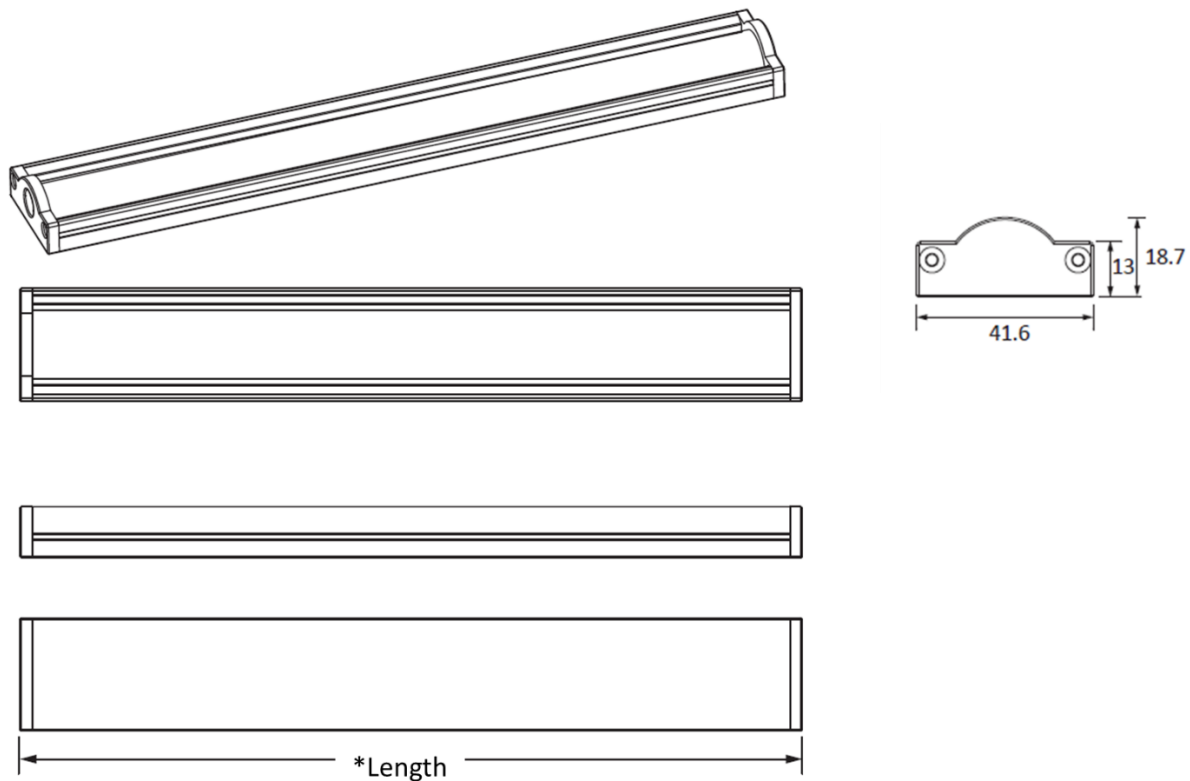


Models:

Length	Color temperature	Ordering part number
1'	2700K	AB-GES-F28112W27BFT1
	3000K	AB-GES-F28112W30BFT1
	4000K	AB-GES-F28112W40BFT1
	5000K	AB-GES-F28112W50BFT1
	6500K	AB-GES-F28112W65BFT1
2'	2700K	AB-GES-F56124W27BFT1
	3000K	AB-GES-F56124W30BFT1
	4000K	AB-GES-F56124W40BFT1
	5000K	AB-GES-F56124W50BFT1
	6500K	AB-GES-F56124W65BFT1

*If any customized CCT is required, please contact ABOC@americanbrightled.com

Outline Dimensions:



1. The lengths for 1'/2' version are 289mm/ 569mm (11.38"/22.4")
2. Unit: mm
3. Groove material: 6603 Al alloy

Characteristics:

- Absolute Maximum Ratings**

Parameter	Symbol	Rating	Unit
Input Voltage	V_{in}	130	VAC
LED Junction Temperature	T_J	115	°C
Storage Temperature	T_{stg}	-40~100°C	°C
Operation Temperature	T_{opr}	-40~85°C	°C

*Proper current rating must be observed to maintain junction temperature below maximum at all time. For this product, we suggest to keep the temperature of Tc point below 75°C, and the temperature of top IC surface below 115°C. If exceeding the maximum temperature of IC, the rated current will be decreased automatically to protect the whole circuit.

- Electrical Characteristics, Ta=25°C**

Parameter	Symbol	Min.	Max.	Unit
Input Voltage	V_{in}	110	130	VAC
Input Frequency	Freq.	50	60	Hz
Power Factor	PF	0.95		/
Flicker %	/		100%	/
Flicker Index	/		0.3	/
Surge protection	/		0.5	KV

- Optical Characteristics (Vin=120V), Ta=25°C**

Model	Power			CCT (k)	Luminous Flux (lm)		CRI
	Min.	Typ.	Max.		Min.	Typ.	
1'	10.5	12	13.5	2700-6500	1085	1250	>80
2'	21	24	27	2700-6500	2200	2550	>80

*Correlated color temperature is derived from the CIE 1931 Chromaticity diagram

*The luminous flux tolerance is ±10%

*The CRI value tolerance is ±2

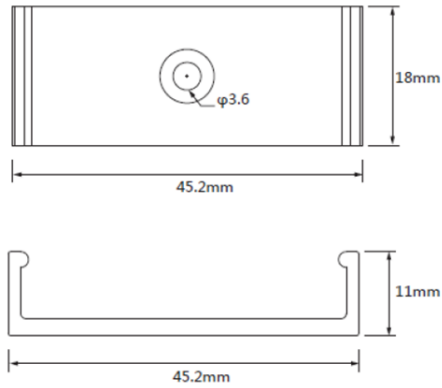
*Calibration of CCT tolerance: 2700K±175K; 3000K±225K; 4000K±300K; 5000K±350K; 6500K±400K

- Thermal Resistance, Ta=25°C**

Part	Min.	Typ.	Max.	Unit
LED		12		°C/W
IC	15		20	°C/W

Mounting Instruction:

A pair of mounting clips will be included with every single plug & play lighting fixture.



*Material of mounting clips: Mn steel alloy

*Unit: mm

UL Certificate:

CERTIFICATE OF COMPLIANCE

Certificate Number E330855
Report Reference E330855-20191212
Issue Date 2019-DECEMBER-19

Issued to: AMERICAN BRIGHT LIGHTING INC
13815C MAGNOLIA AVE
CHINO CA 91710-7028

This certificate confirms that
representative samples of

LIGHT-EMITTING-DIODE SURFACE-MOUNTED
LUMINAIRES

USL, CNL - LED Surface Mounted Luminaire
Model(s): AB-GES-F28112WkkBFT1, AB-GES-
F56124WkkBFT1
Where kk may be 27, 30, 40, 50, or 65

Have been investigated by UL in accordance with the
Standard(s) indicated on this Certificate.


Standard(s) for Safety: UL 1598 - Luminaires
CSA C22.2 No. 250.0 - Luminaires

Additional Information: See the UL Online Certifications Directory at
<https://iq.ulprospector.com> for additional information.

This *Certificate of Compliance* does not provide authorization to apply the UL Mark. Only the UL Follow-Up Services Procedure provides authorization to apply the UL Mark.

Only those products bearing the UL Mark should be considered as being UL Certified and covered under UL's Follow-Up Services.

Look for the UL Certification Mark on the product.



Bruce Mahrenholz, Director North American Certification Program
UL LLC

Any information and documentation involving UL Mark services are provided on behalf of UL LLC (UL) or any authorized licensee of UL. For questions, please contact a local UL Customer Service Representative at <http://ul.com/about/locations>



Warranty:

American Bright Optoelectronics Corp., warrants that its AC LED Plug & Plays will be free from defects in material and workmanship from the date of manufacture by American Bright Optoelectronics Corp. for a period of 5 years (LED light generation module case temperature(s) not to exceed 75°C, IC temperature(s) not to exceed 110°C). The AC LED Plug & Play consists of LED lighting components, 5VA polymer lens, and the driver circuit (collectively, the “Power circuit”). This limited warranty only applies when the American Bright Optoelectronics Corp. LED Plug & Play is properly connected and installed on the luminaire; operated within the electrical values recommended by American Bright Optoelectronics Corp.; and used in situations approved for the application and in the environmental conditions (temperature, humidity) within the normal specified operating range of the system.

This warranty is further conditioned upon proper storage, installation, use and maintenance. This warranty is not applicable to any Product which is not installed and operated in accordance with the current edition of The National Electric Code (NEC), the Standards for Safety of Underwriters’ Laboratory, Inc. (UL), the Standards for the American National Standards Institute (ANSI), and with American Bright Optoelectronics Corp.’s instructions and guidelines for the Product. This warranty is not applicable to any Product or component subjected to abnormal stresses and operating conditions. Replacement of the American Bright Optoelectronics Corp. Product with LED components of other manufacturers will void the entire warranty.

THE WARRANTIES AND REMEDIES SET FORTH HEREIN ARE EXCLUSIVE AND IN LIEU OF ALL OTHER WARRANTIES WHETHER, EXPRESS OR IMPLIED, INCLUDING ALL WARRANTIES OF MERCHANTABILITY AND FITNESS FOR A PARTICULAR PURPOSE AND ALL WARRANTIES ARISING FROM COURSE OF DEALING OR USAGE OR TRADE.

Purchaser’s exclusive remedy, for any nonconformity or defect in any product shall be only those explicitly set forth herein.