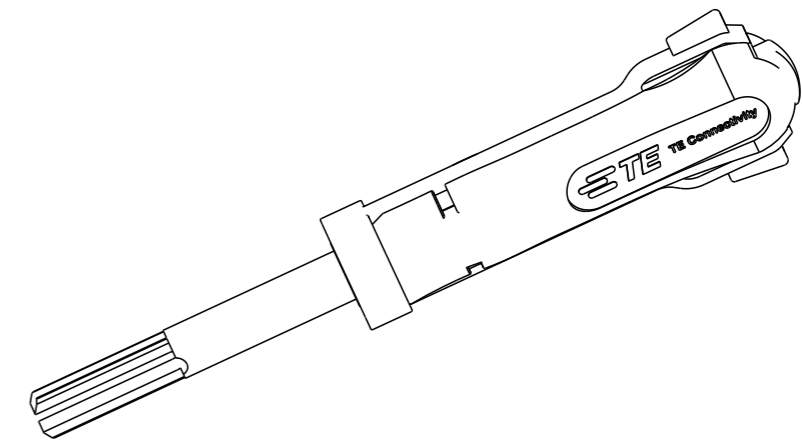
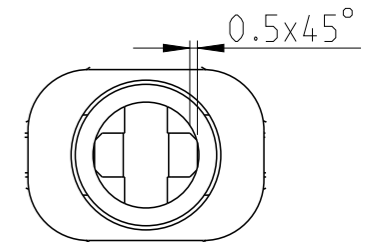
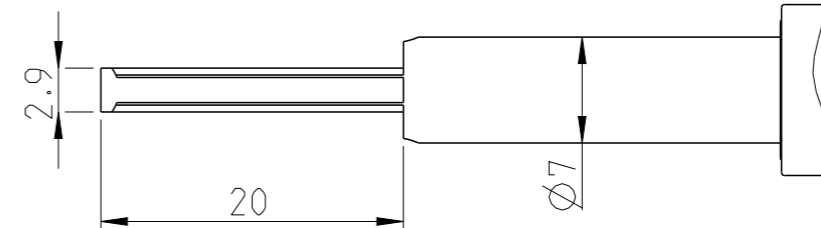
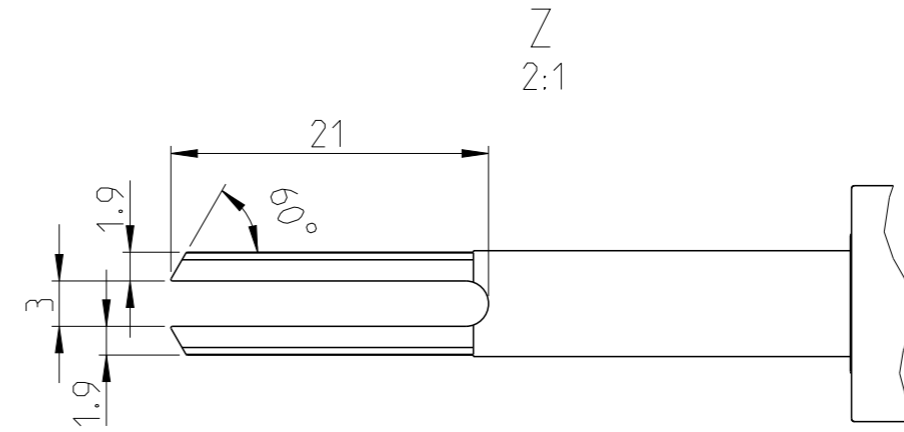
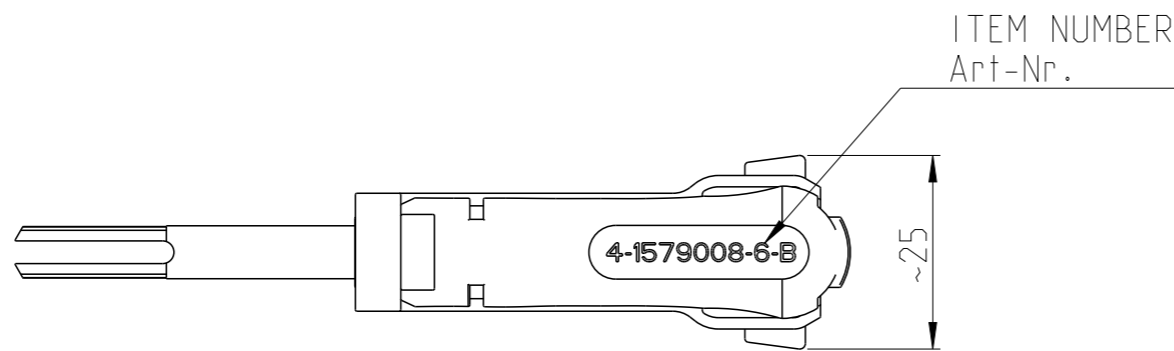
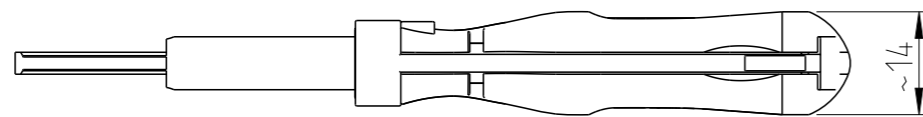
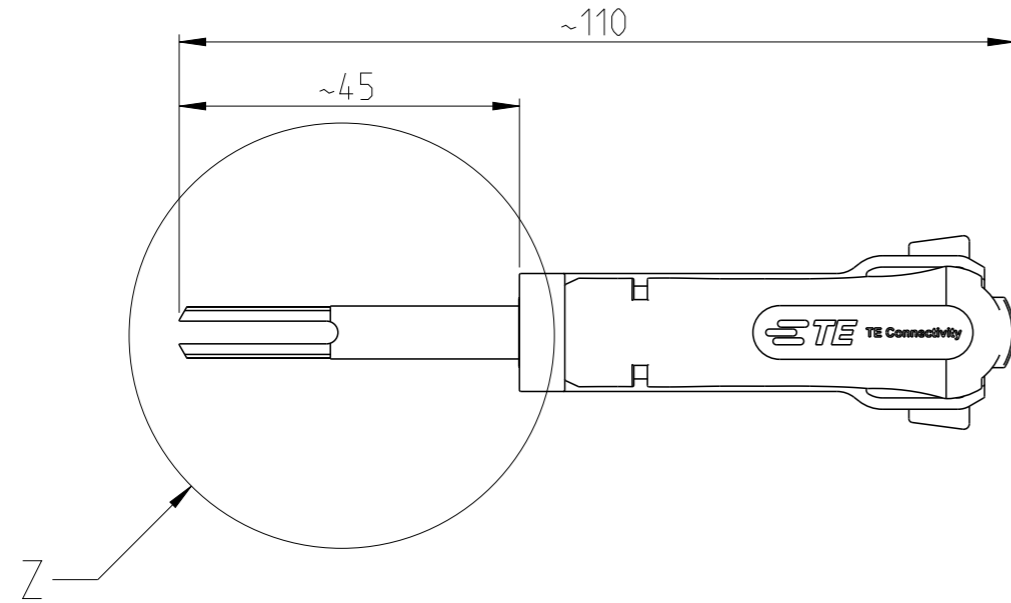


REVISIONS

P	LTR	DESCRIPTION	DATE	DWN	APVD
	B1	ECR-17-008557	14 JUN 2017	KH	BM
	B2	ECR-20-008954	11 JUL 2020	PNT	GS



1.6

THIS DRAWING IS A CONTROLLED DOCUMENT.		DWN S. Samstag	17MAR2009		
DIMENSIONS: mm		CHK	APVD		
		TOLERANCES UNLESS OTHERWISE SPECIFIED:		NAME EXTRACTION TOOL Entriegelungswerkzeug	
MATERIAL		FINISH		PRODUCT SPEC	APPLICATION SPEC
		0 PLC ± 1 PLC ± 2 PLC ± 3 PLC ± 4 PLC ± ANGLES ±		WEIGHT 0.018 kg	SIZE A3
				CAGE CODE 00779	DRAWING NO C-4-1579008-6
				CUSTOMER DRAWING	RESTRICTED TO -
				SCALE 1:1	SHEET 1 OF 1
					REV B2