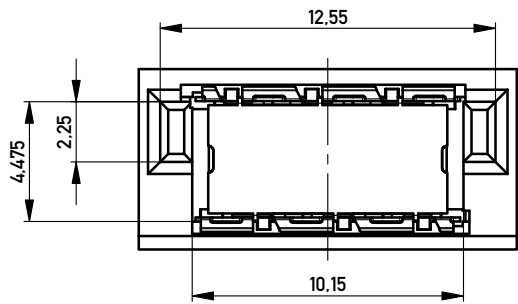
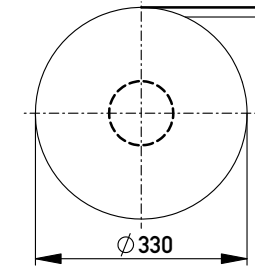
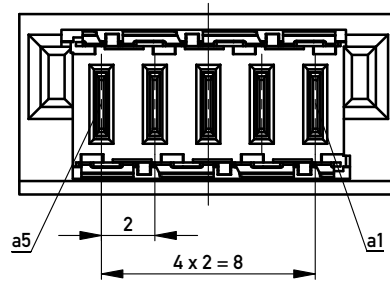


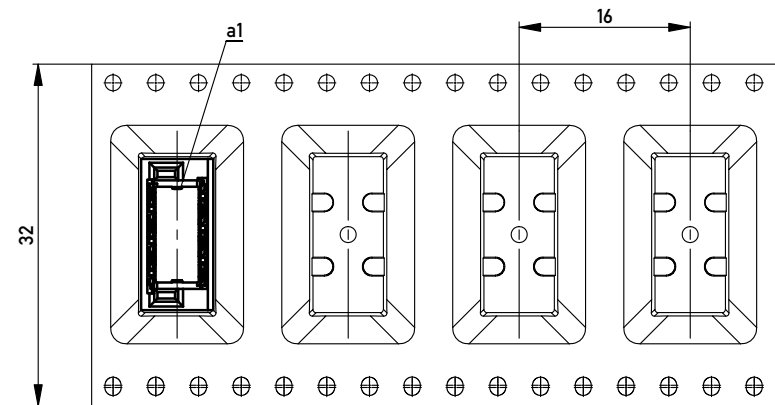
Verpackt in Gurtverpackung
 Tape on Reel Packaging
 Verpackungseinheit: 400 Stück
 Packaging unit: 400 pcs



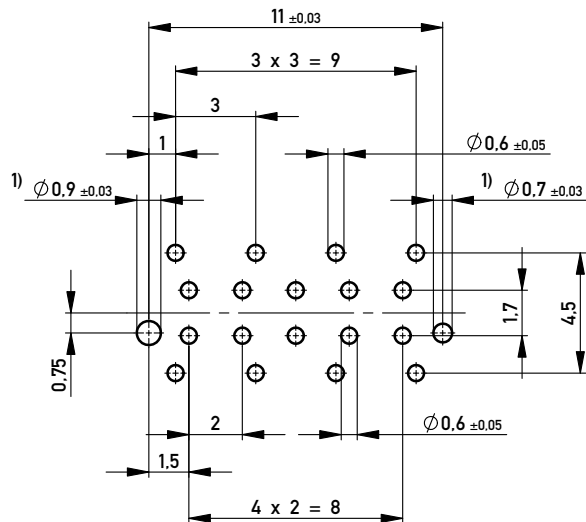
ohne Ansaughaube
 without hood



Abspulrichtung - Reel off Direction



Leiterplatten-Layout Vorschlag / PCB-layout proposal



1) Durchmesser des Bohrers
 drill tool

Anforderungsstufe 1
 Performance Level 1

Kontaktbereich vergoldet
 Mating Area gold plating

Anschlussbereich verzinkt 4-6µm
 Terminal Area 4-6µm tin plating

Information:		Tolerances		Scale	5:1
All rights reserved. Only for Information. To ensure that this is the latest version of this drawing, please contact one of the ERNI companies before using.		All Dimensions in mm		Designation	
Subject to modification without prior notice. Drawing will not be updated.				M01 MSpeed BlindMate PM THR	
www.ERNI.com		374955		I	
c	17.09.2012	www.ERNI.com		A3	
Index	Date	Class		MSPEED	

Copyright by ERNI GmbH
 Proprietary notice pursuant to ISO 9006 to be observed.