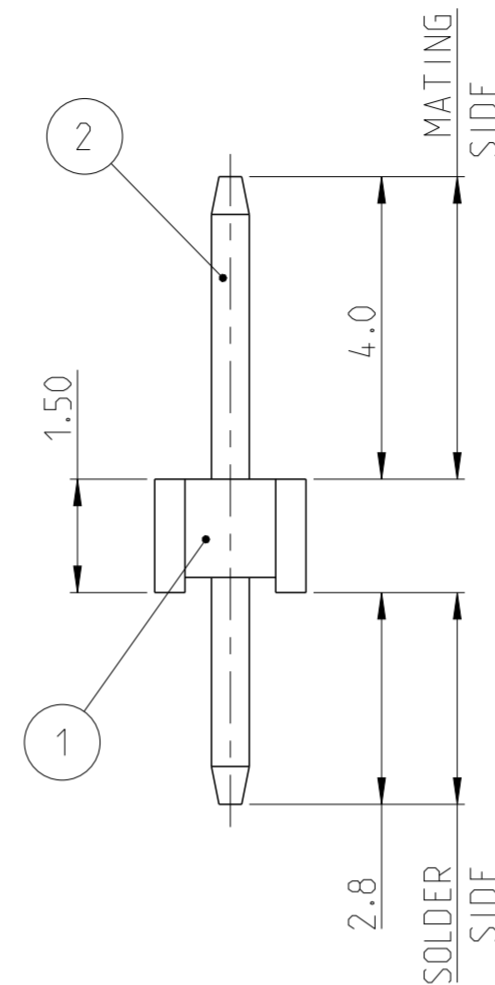
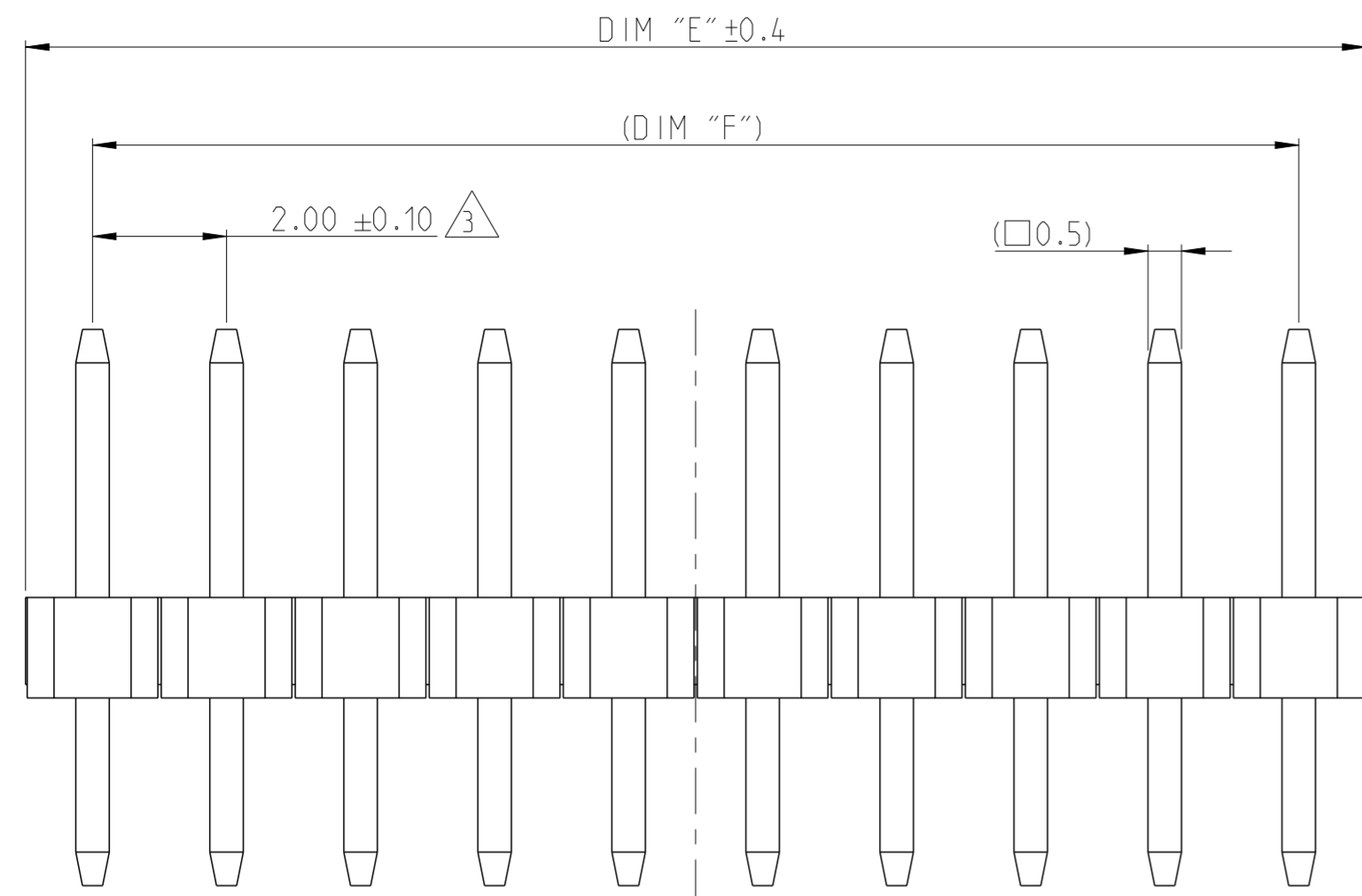
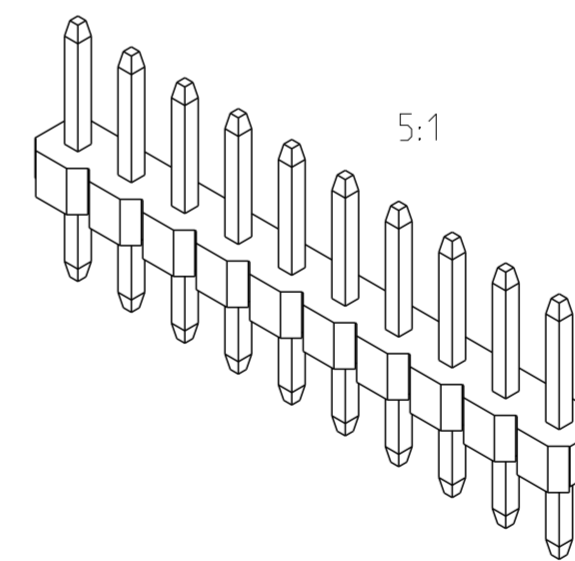
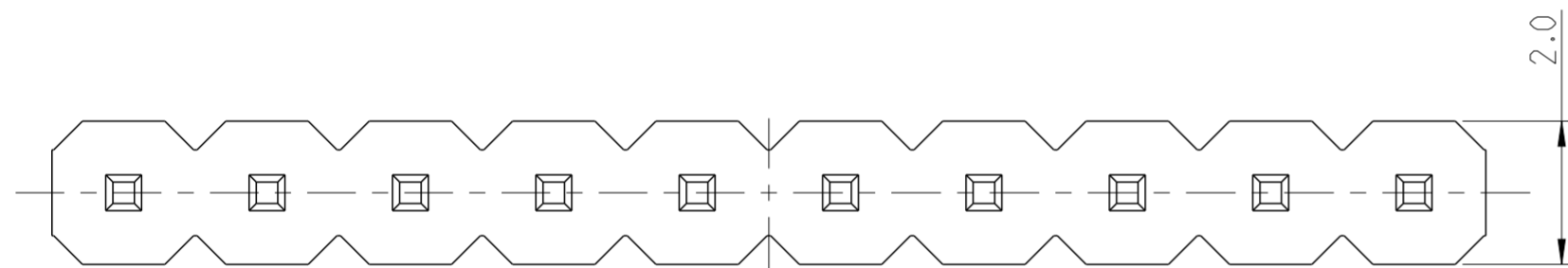


P	LTR	DESCRIPTION	DATE	DWN	APVD
A		RELEASE TO PRODUCTION	26AUG2019	AY	PS
A1		REMOVED TOLERANCE FROM DIM F	17DEC2019	AY	PS

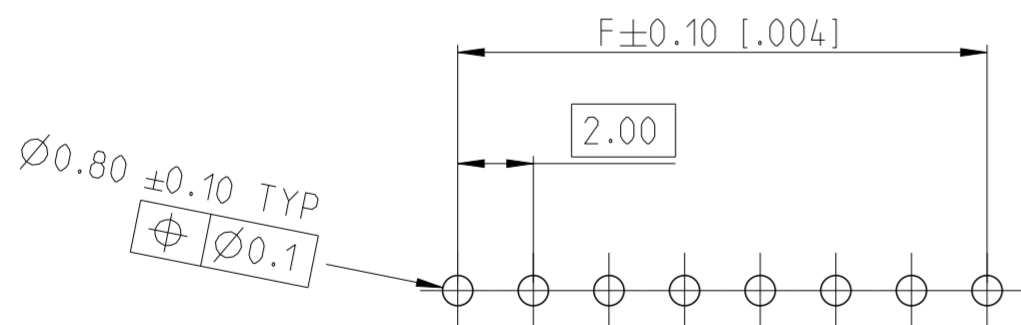


- NOTES:
- MATERIAL  
HOUSING : HIGH TEMPERATURE THERMOPLASTIC, UL94-V0; COLOR- BLACK  
POST : COPPER ALLOY  
FINISH :  
MATING SIDE: MIN. 0.38µm GOLD OVER NICKEL UNDER PLATING  
SOLDER SIDE: MIN. 2.0µm BRIGHT TIN OVER NICKEL UNDER PLATING
  - PACKAGING: TUBE.
  - TOLERANCE NOT CUMULATIVE.
  - CUTTING BURR MAX. 0.25 mm.

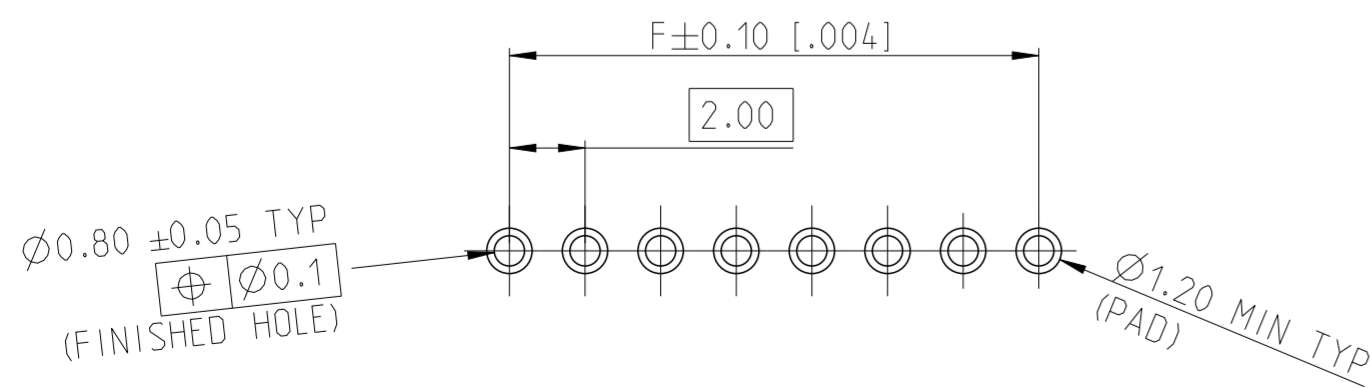


48.0	50.0	25	2-2355177-5
46.0	48.0	24	2-2355177-4
44.0	46.0	23	2-2355177-3
42.0	44.0	22	2-2355177-2
40.0	42.0	21	2-2355177-1
38.0	40.0	20	2-2355177-0
36.0	38.0	19	1-2355177-9
34.0	36.0	18	1-2355177-8
32.0	34.0	17	1-2355177-7
30.0	32.0	16	1-2355177-6
28.0	30.0	15	1-2355177-5
26.0	28.0	14	1-2355177-4
24.0	26.0	13	1-2355177-3
22.0	24.0	12	1-2355177-2
20.0	22.0	11	1-2355177-1
18.0	20.0	10	1-2355177-0
16.0	18.0	9	2355177-9
14.0	16.0	8	2355177-8
12.0	14.0	7	2355177-7
10.0	12.0	6	2355177-6
8.0	10.0	5	2355177-5
6.0	8.0	4	2355177-4
4.0	6.0	3	2355177-3
2.0	4.0	2	2355177-2
DIM "F"	DIM "E"	POS	TE PN

1-2355177-0 AS SHOWN



RECOMMENDED PCB HOLE PATTERN FOR THROUGH HOLE WAVE



RECOMMENDED PCB HOLE PATTERN FOR THROUGH HOLE REFLOW / PIN-IN-PASTE

CONTACT PIN	2
HOUSING	1
DESCRIPTION	ITEM NO.

DIMENSIONS:		TOLERANCES UNLESS OTHERWISE SPECIFIED:	
mm		0 PLC	±
		1 PLC	±0.2
		2 PLC	±0.15
		3 PLC	±
		4 PLC	±
		ANGLES	±2°
		FINISH	

THIS DRAWING IS A CONTROLLED DOCUMENT.		DWN	09APR2019
		CHK	14AUG2019
		APVD	16AUG2019
		NAME	PRASHANTH
		PRODUCT SPEC	108-64040
		APPLICATION SPEC	114-32259
		WEIGHT	-
		CUSTOMER DRAWING	

TE Connectivity		NAME	
		AMPMODU 2mm BREAKAWAY HEADER SINGLE ROW, VERTICAL, 0.38 Au, TUBE	
SIZE	CAGE CODE	DRAWING NO	RESTRICTED TO
A2	100779	C-2355177	-
SCALE 10:1		SHEET 1 OF 1	REV A1