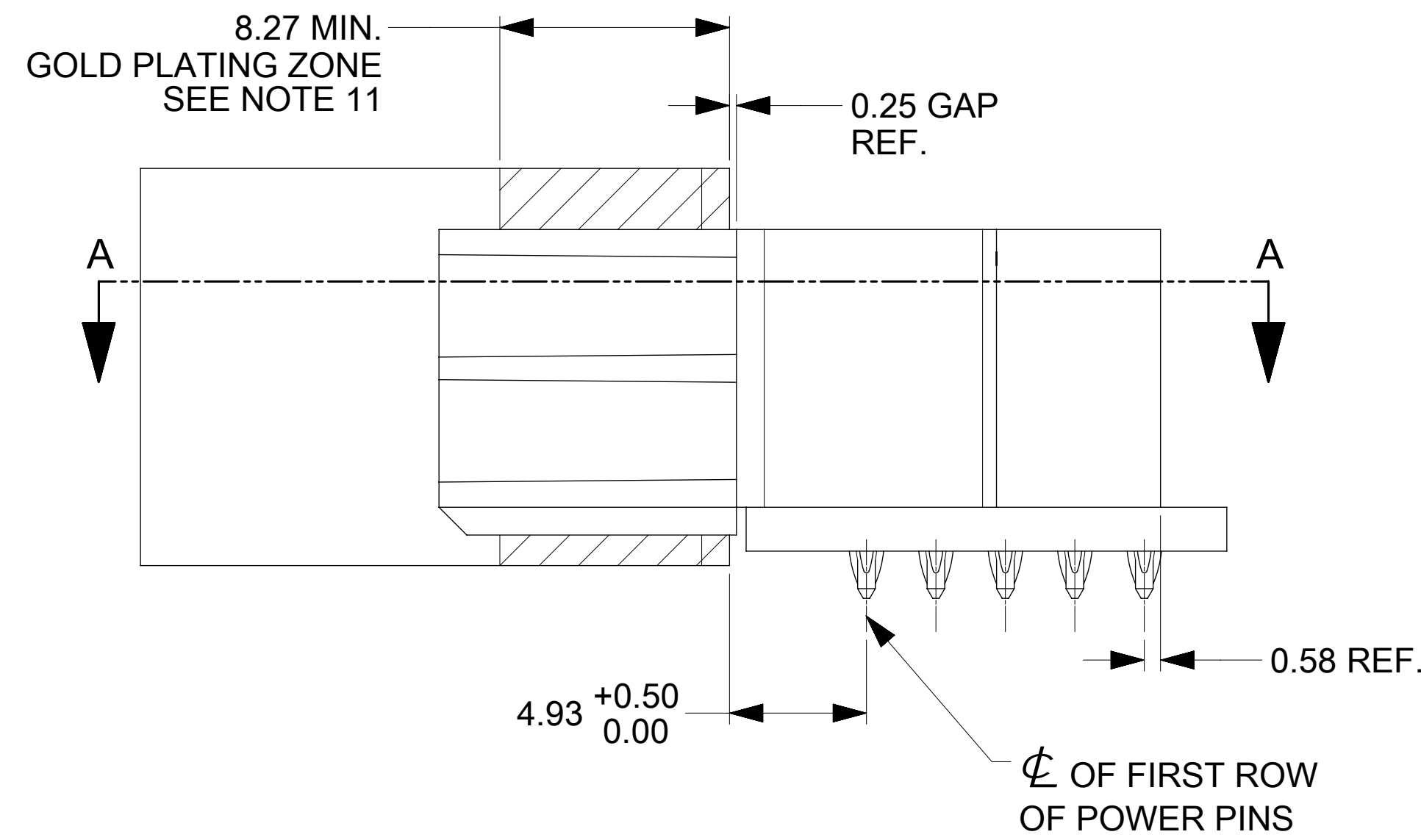


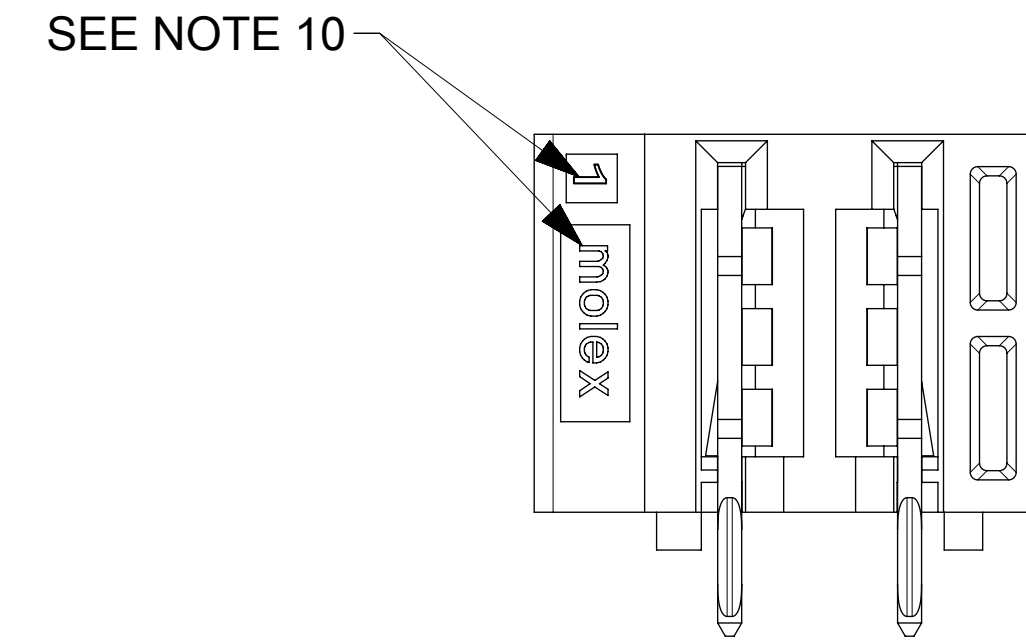
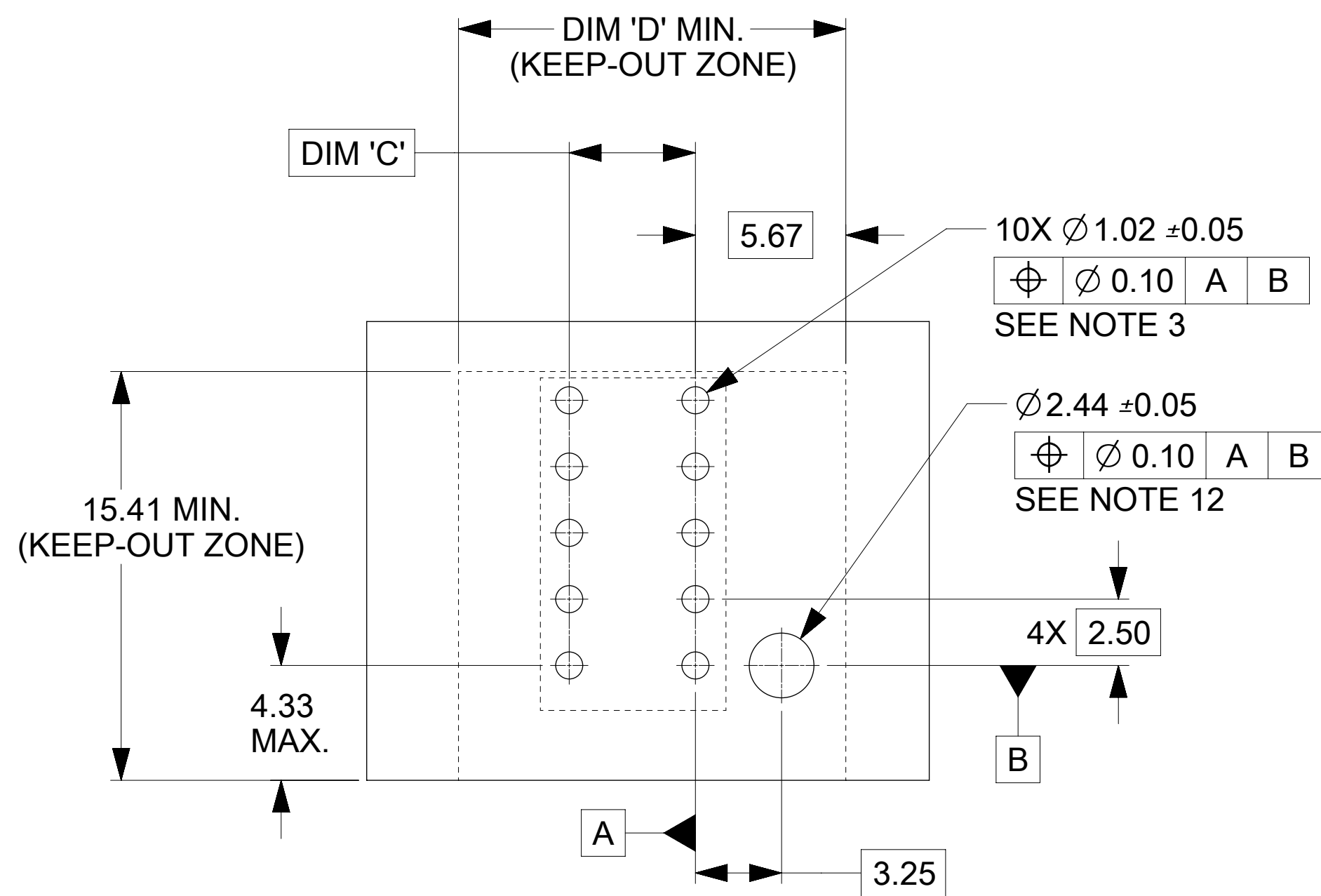
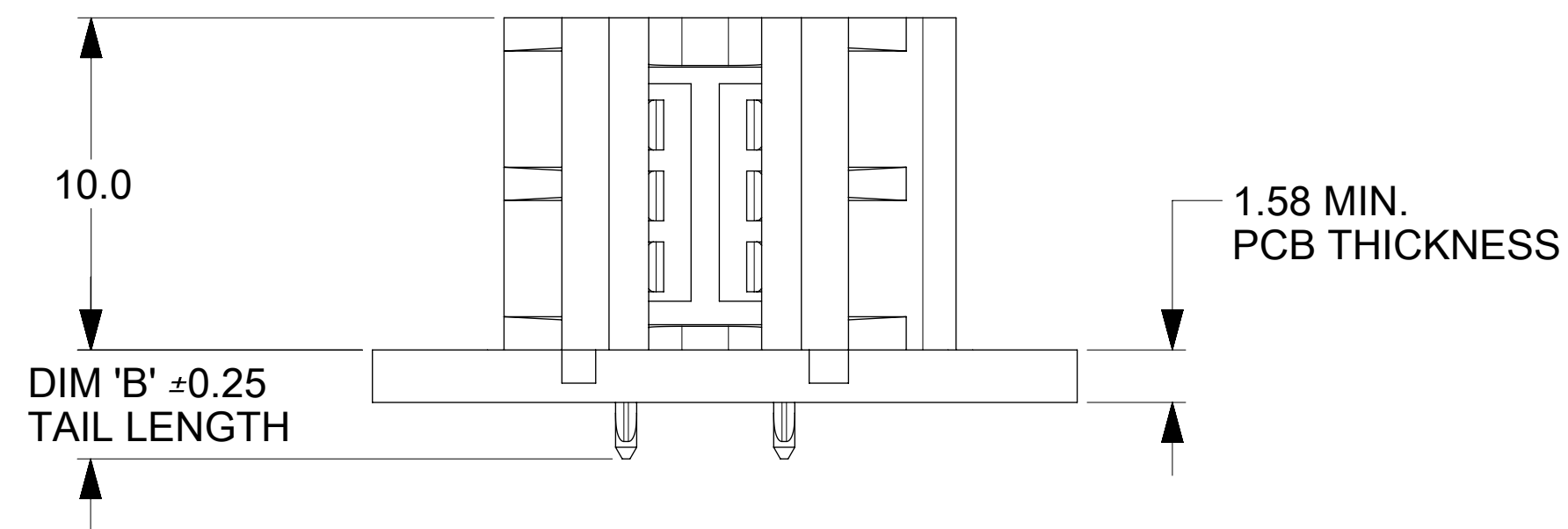
SECTION A-A



MATED PROFILE

NOTES:

- MATERIAL:
  - HOUSINGS: LCP UL94 V-0, COLOR: BLACK.
  - TERMINALS: COPPER ALLOY.
  - PLATING: 1.27 MICROMETER (50 MICROINCH) NICKEL OVERALL WITH:  
2.54 MICROMETER (100 MICROINCH) SELECTIVE TIN ON TAILS AND  
0.762 MICROMETER (30 MICROINCH) SELECTIVE GOLD ON CONTACT AREA
- PACKAGING: ASSEMBLIES TO BE TRAY PACKED PER PACKAGING SPEC: 1737080000-PK.
- PLATED THRU HOLE SIZE, REFER TO 173708-0000-PS FOR DETAILS.
- PRODUCT SPEC: 173708-0000-PS.
- PRODUCT TO MEET RoHS REQUIREMENTS.
- ASSEMBLY MATES WITH BUS BAR, SEE CHART FOR THICKNESS.
- TAIL DESIGN: SEE CHART.
- POWER CONTACTS ARE LUBRICATED.
- APPLICATION SPEC: AS-46436-100.
- MOLEX LOGO AND CAVITY ID TO BE LOCATED APPROXIMATELY AS SHOWN.
- BUSBAR MUST HAVE GOLD OVER NICKEL PLATING IN MATING ZONE, MOLEX RECOMMENDS GOLD PLATING BE COATED WITH AN ENVIRONMENTAL BARRIER
- DESIGNED FOR USE WITH #2-32 TYPE AB SELF TAPPING SCREW, RECOMMENDED TORQUE: .37 N-m MAX. TORQUE SCREWS ARE NOT SUPPLIED WITH THE CONNECTOR.
- PART NUMBER AND DATE CODE IN APPROX. LOCATION AS SHOWN.



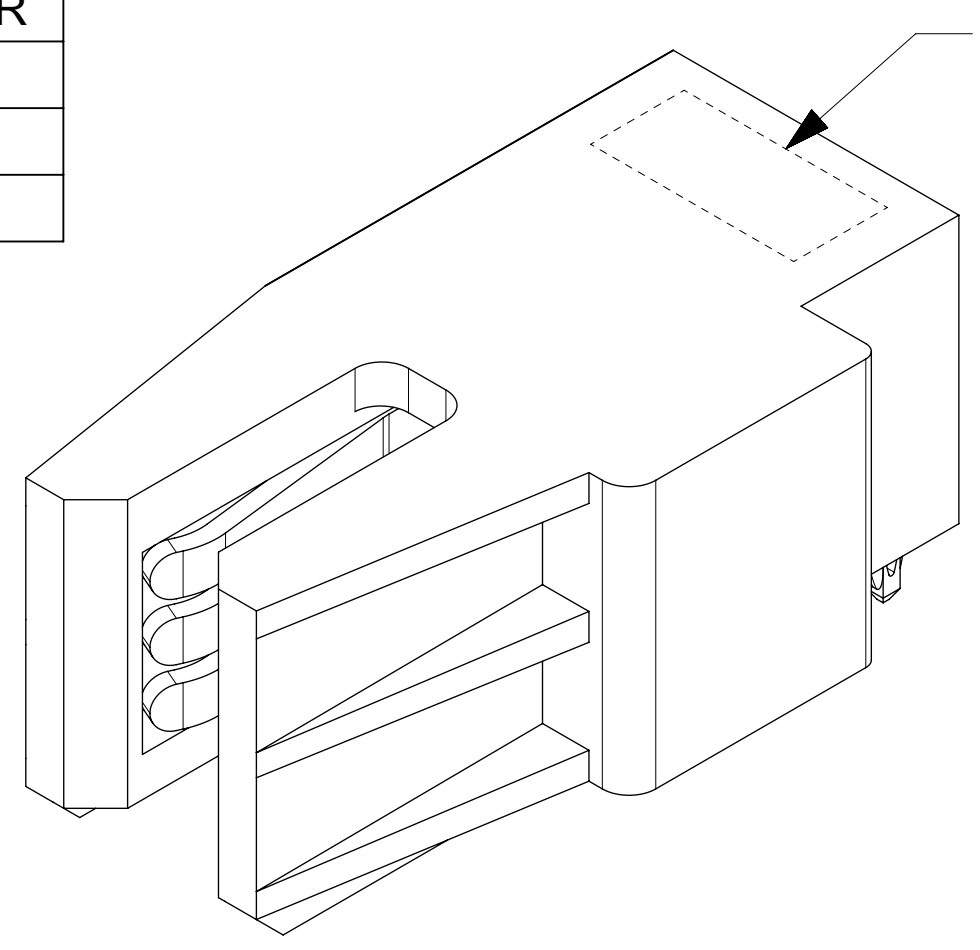
SEE NOTE 10

PART NUMBER	DIM 'A'	DIM 'B'	DIM 'C'	DIM 'D'	DIM 'E' BUS BAR THICKNESS	DIM 'F'	TAIL TYP.
173708-0001	13.61	3.28	4.76	14.61	3.00	2.38	PRESS-FIT
173708-0002	13.79	3.28	4.94	14.79	3.18	2.47	
173708-0003	16.71	3.28	7.86	17.71	6.10	2.38	
173708-0004	13.61	2.84	4.76	14.61	3.00	2.38	SOLDERTAIL (.062" PCB)
173708-0005	13.79	2.84	4.94	14.79	3.18	2.47	
173708-0006	16.71	2.84	7.86	17.71	6.10	2.38	
173708-0007	13.61	3.63	4.76	14.61	3.00	2.38	SOLDERTAIL (.093" PCB)
173708-0008	13.79	3.63	4.94	14.79	3.18	2.47	
173708-0009	16.71	3.63	7.86	17.71	6.10	2.38	

THIS DRAWING CONTAINS INFORMATION THAT IS PROPRIETARY TO MOLEX ELECTRONIC TECHNOLOGIES, LLC AND SHOULD NOT BE USED WITHOUT WRITTEN PERMISSION

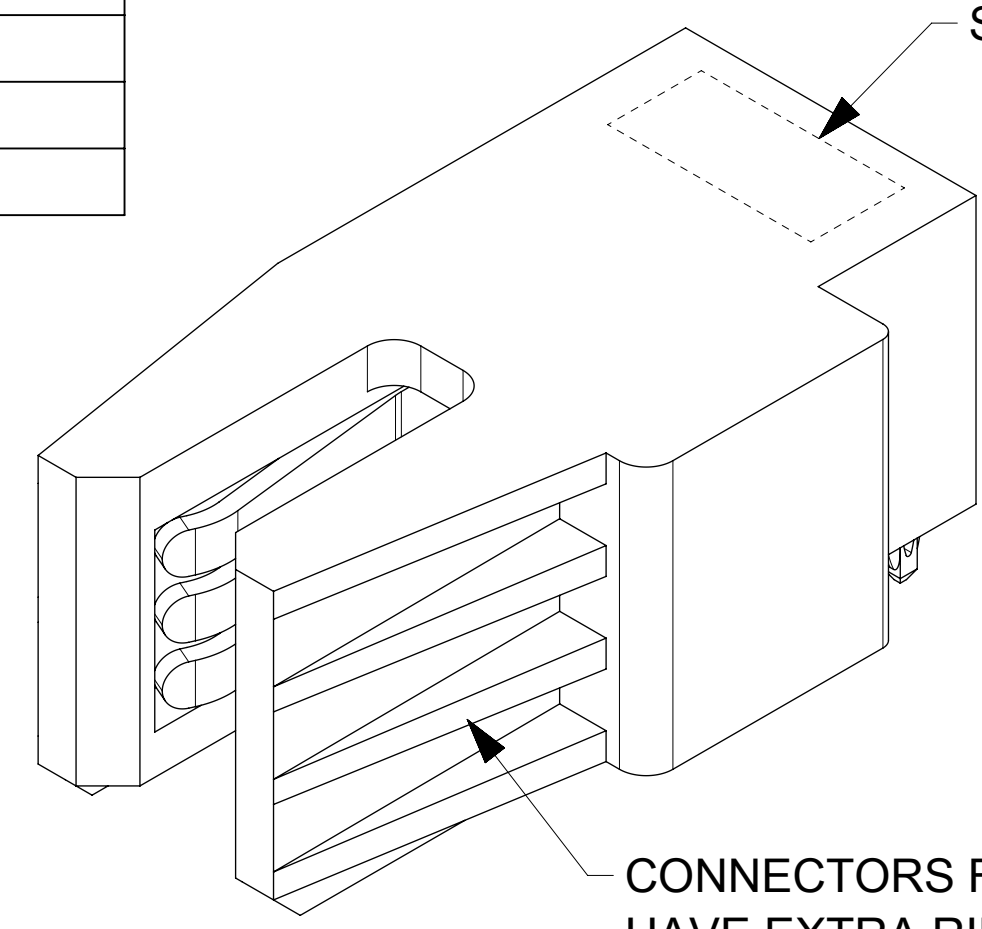
DIMENSION UNITS <b>mm</b>	SCALE <b>5:1</b>	CURRENT REV DESC: PRODUCTION RELEASE	<b>molex</b>		
GENERAL TOLERANCES (UNLESS SPECIFIED)		RELEASE			
ANGULAR TOL ± 0.5°	4 PLACES ±	EC NO: 606919	PRODUCT CUSTOMER DRAWING		
3 PLACES ±	2 PLACES ± 0.13	DRWN: GHP 2018/10/31	DOCUMENT NUMBER	DOC TYPE	DOC PART
2 PLACES ± 0.25	1 PLACE ±	CHK'D: YVENKATESWAR 2018/10/31	<b>1737080000</b>	PSD	000
0 PLACES ±		APPR: ISHWARG 2018/10/31			
DRAFT WHERE APPLICABLE MUST REMAIN WITHIN DIMENSIONS	THIRD ANGLE PROJECTION	INITIAL REVISION:	SHEET NUMBER		
	DRAWING	DRWN: LZABJANOVSKI 2016/09/08	MATERIAL NUMBER	CUSTOMER	
	SERIES	APPR: JCOMERCI 2016/10/24	SEE CHART		1 OF 2
	D-SIZE	173708			

MATES TO 3.00mm BUS BAR
173708-0001
173708-0004
173708-0007



SEE NOTE 13

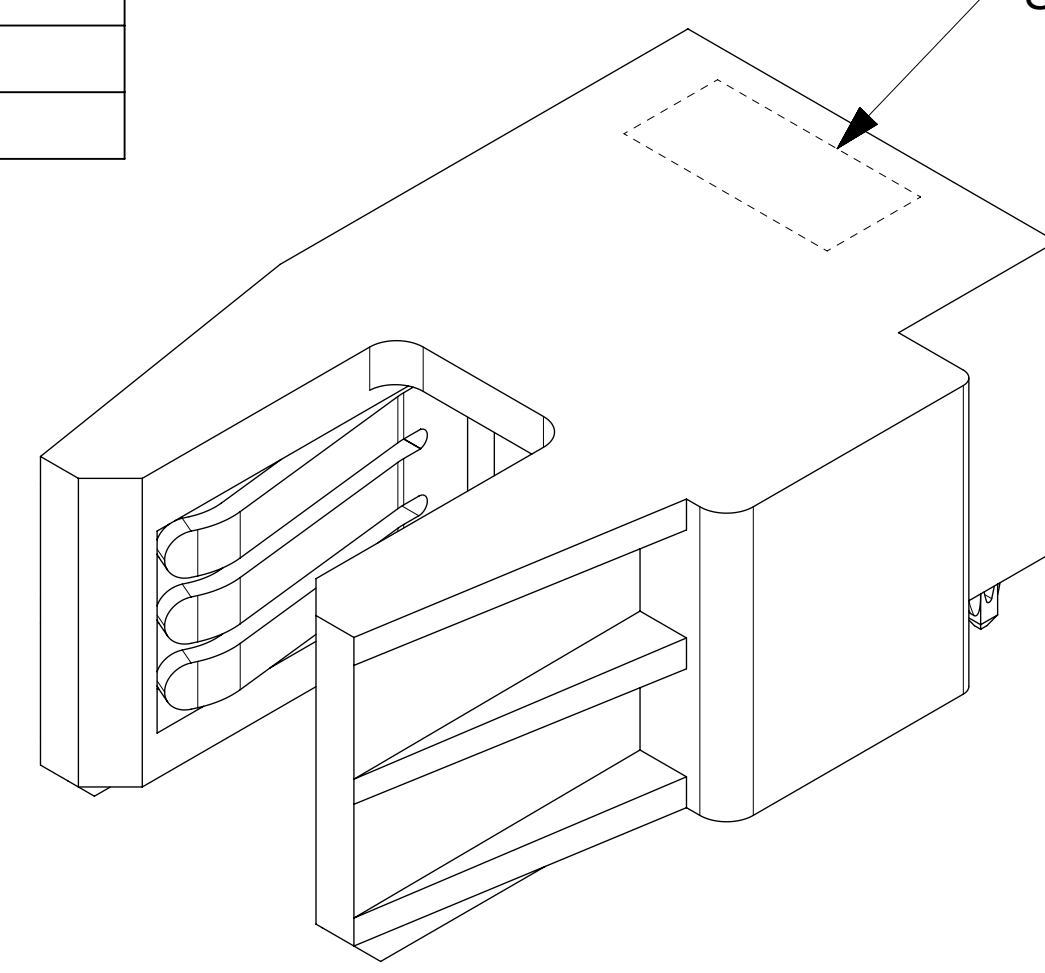
MATES TO 3.18mm BUS BAR
173708-0002
173708-0005
173708-0008



SEE NOTE 13

CONNECTORS FOR 3.18mm BUS BARS  
HAVE EXTRA RIB FOR IDENTIFICATION

MATES TO 6.10mm BUS BAR
173708-0003
173708-0006
173708-0009



SEE NOTE 13

THIS DRAWING CONTAINS INFORMATION THAT IS PROPRIETARY TO MOLEX ELECTRONIC TECHNOLOGIES, LLC AND SHOULD NOT BE USED WITHOUT WRITTEN PERMISSION											
DIMENSION UNITS <b>mm</b>		SCALE <b>5:1</b>		CURRENT REV DESC: PRODUCTION RELEASE				<b>molex</b>			
GENERAL TOLERANCES (UNLESS SPECIFIED)						EC NO: 606919					
ANGULAR TOL ± 0.5°		4 PLACES ±		3 PLACES ±		2 PLACES ± 0.13		1 PLACE ± 0.25		0 PLACES ±	
DRAFT WHERE APPLICABLE MUST REMAIN WITHIN DIMENSIONS		THIRD ANGLE PROJECTION		DRAWING		SERIES		MATERIAL NUMBER		CUSTOMER	
		D-SIZE		173708		SEE CHART				SHEET NUMBER	
										2 OF 2	

DOCUMENT STATUS	P1	RELEASE DATE	2018/10/31	12:50:34
-----------------	----	--------------	------------	----------