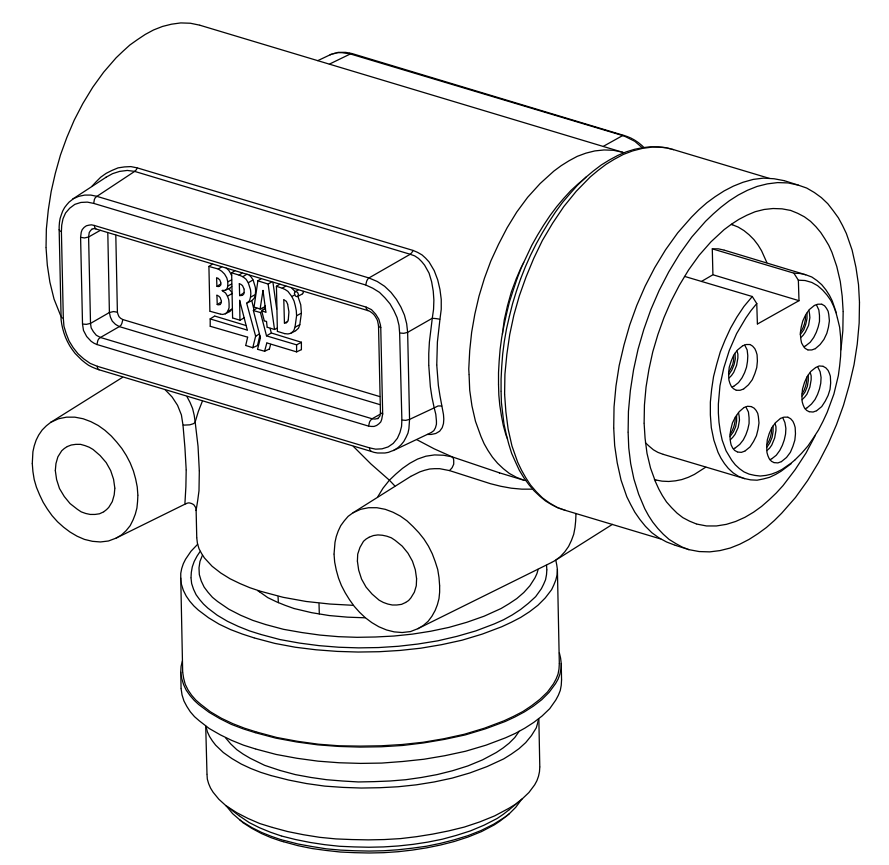
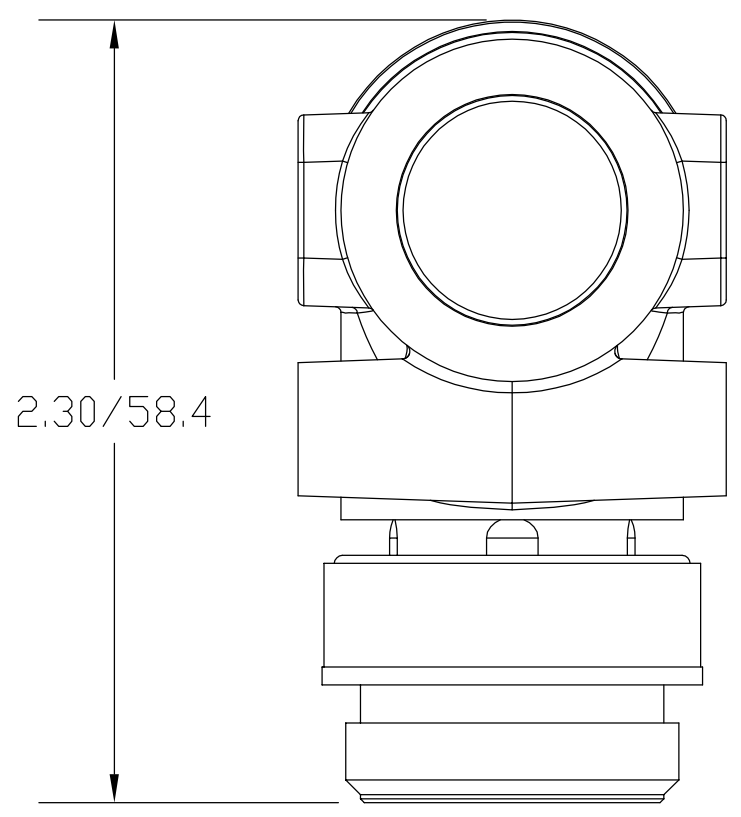
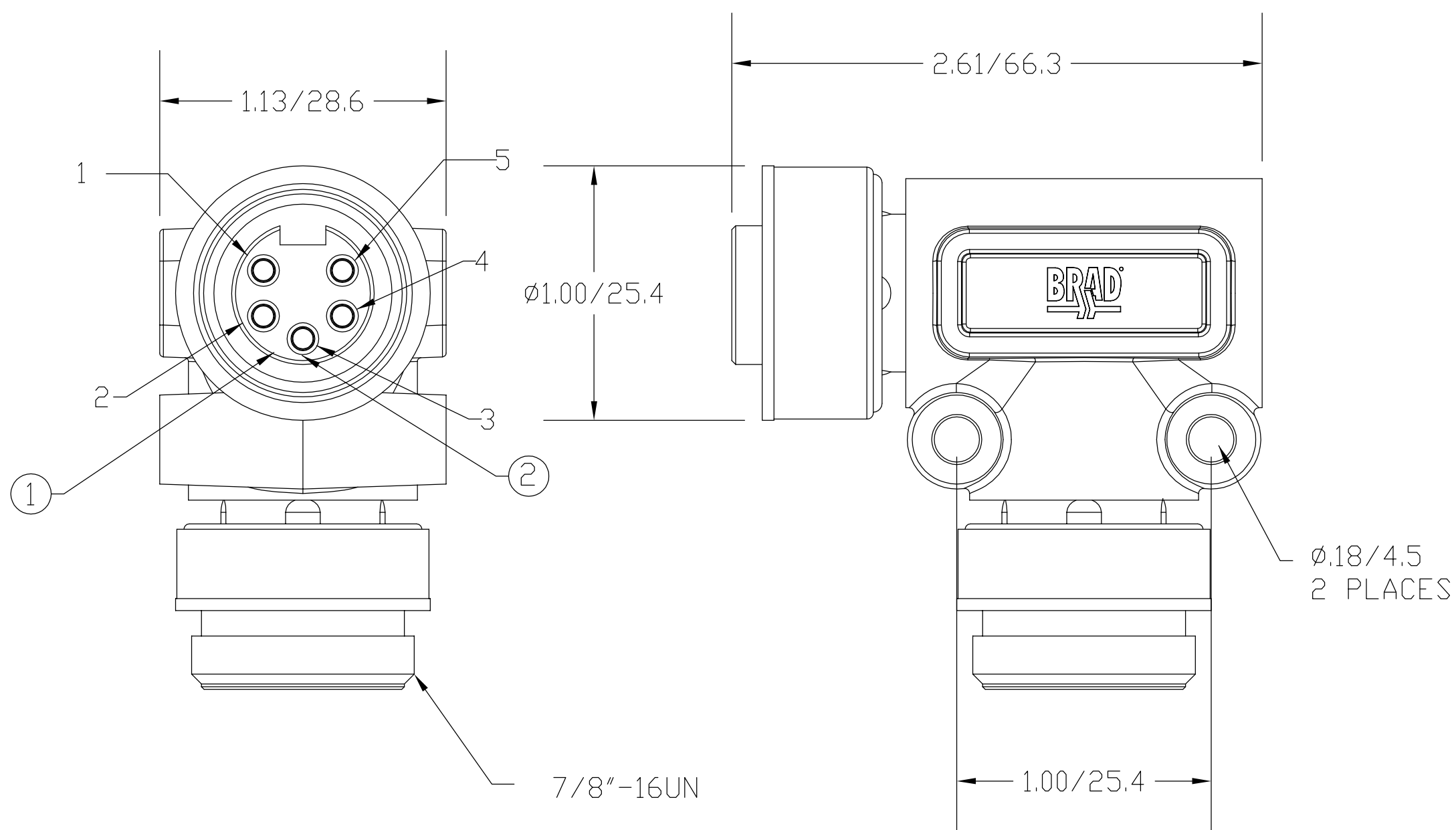


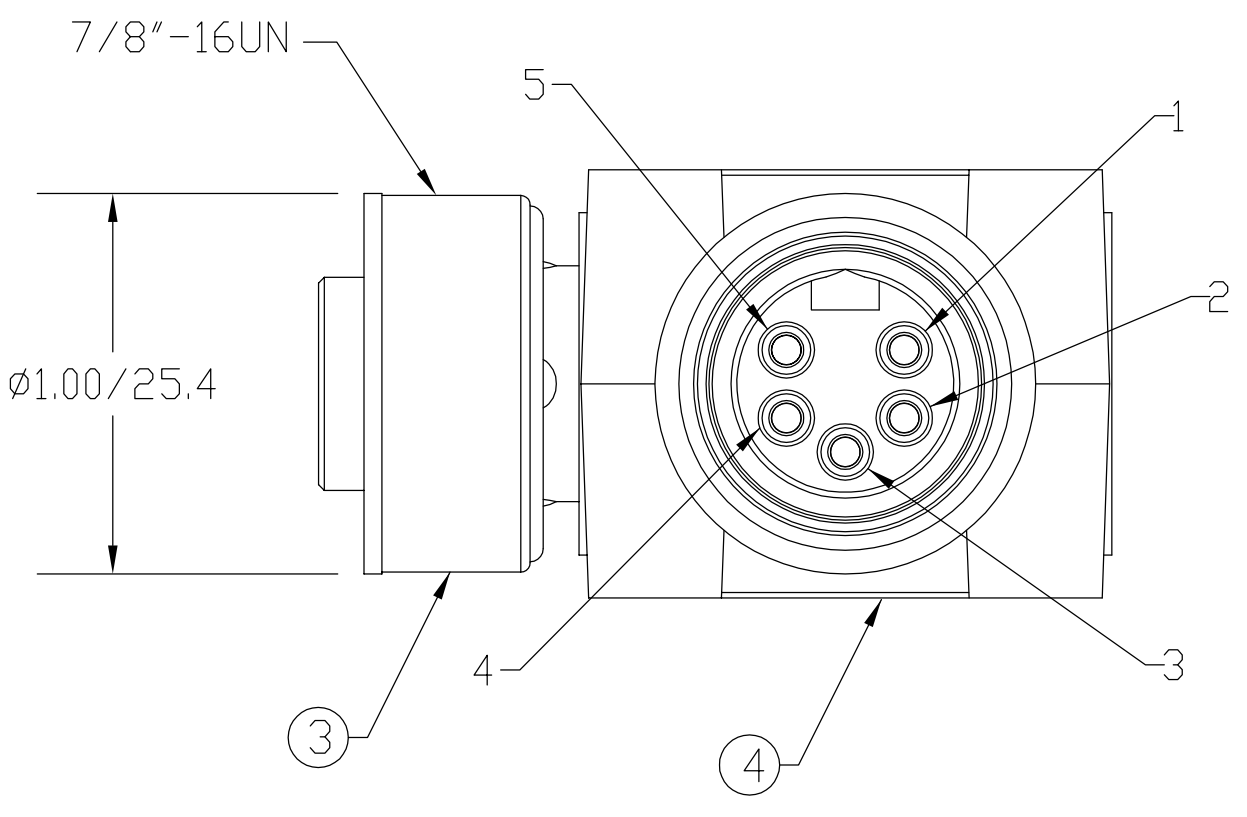
MATERIAL NUMBER	OLD PART NUMBER
130035-0013	115032A



SCHEMATIC

- 1 ← → 1 - DRAIN
- 2 ← → 2 - V+
- 3 ← → 3 - V-
- 4 ← → 4 - CAN_H
- 5 ← → 5 - CAN_L

VOLTAGE RATING	600 VAC/VDC
AMPERAGE RATING	8 AMPS
PROTECTION	IP67
OPERATING TEMPERATURE	-20°C TO 80°C
UL CERTIFICATIONS	UL RECOGNIZED, FILE NO. E152210
CSA CERTIFICATIONS	CSA CERTIFIED, FILE NO. LR6837



ITEM	COMPONENT	MATERIAL	FINISH
1	INSERT	TPE	GRAY
2	CONTACT	COPPER ALLOY	GOLD OVER NICKEL
3	COUPLING NUT	ZINC DIE CAST	BLACK E-COATED
4	OVERMOLD	TPE	GRAY

RLSD DRAWING
 EC NO: WNA2010-0120
 DRWN: BWOODMAN 8/20/09
 CH'KD: KJ
 APPR: JFMURPHY 2009/08/27
 REV A

QUALITY SYMBOL
 ▽=0
 ▽C=0
 GENERAL TOLERANCES (UNLESS SPECIFIED)

	mm	INCH
4 PLACES	±----	±----
3 PLACES	±----	±----
2 PLACES	±----	±.01
1 PLACE	±0.3	±----

 ANGULAR ±----°
 DRAFT WHERE APPLICABLE MUST REMAIN WITHIN DIMENSIONS

DIMENSION STYLE IN/MM
 DRAWN BY DATE
 BW 2009/08/20
 CHECKED BY DATE
 JM 2009/08/20
 APPROVED BY DATE
 JFMURPHY 2009/08/26
 MATERIAL NO.
 SEE CHART
 SIZE C
 THIS DRAWING CONTAINS INFORMATION THAT IS PROPRIETARY TO MOLEX INCORPORATED AND SHOULD NOT BE USED WITHOUT WRITTEN PERMISSION

SCALE ---
 DESIGN UNITS ---
 THIRD ANGLE PROJECTION
 TITLE MC 5P FEMALE/MALE 90
 MOLEX INCORPORATED
 DOCUMENT NO. SD-130035-004
 SHEET NO. 1 OF 1