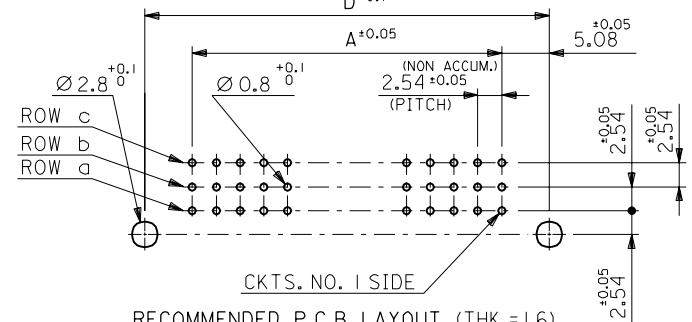
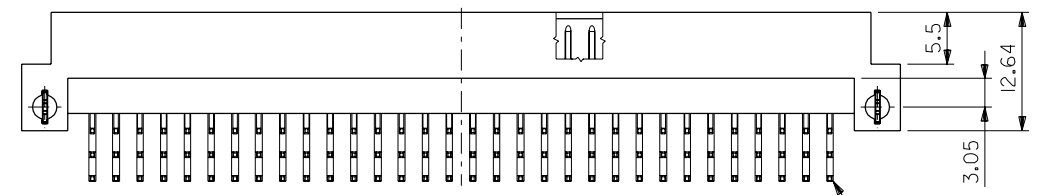
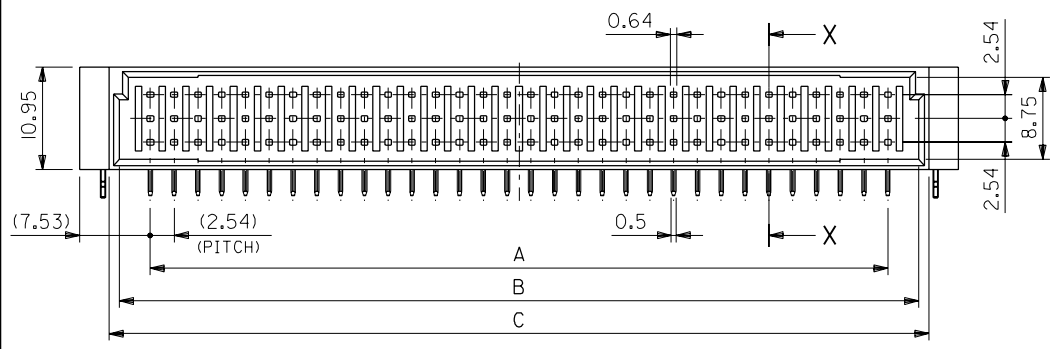
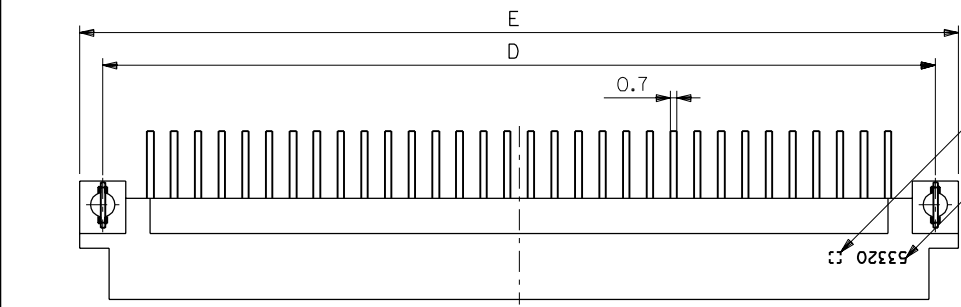


ENG. NO. SD-53320-****
 EDP NO.
 DIMENSIONS IN METRIC DO NOT SCALE DRAWING



RECOMMENDED P.C.B. LAYOUT (THK.=1.6)
(VIEW ON COMPONENT SIDE)

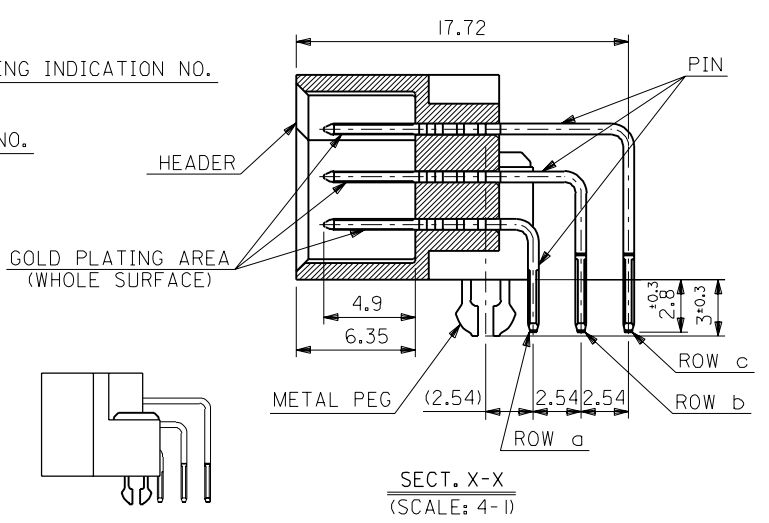
| | |
|-------------------------|-------|
| 角度 ANGLE | ±3° |
| 30以上 OVER | +0.3 |
| 10以上 30未滿 UNDER | +0.25 |
| 10未滿 UNDER | +0.2 |
| 一般公差 GENERAL TOLERANCES | |

| | |
|-------------------------------|----------------------------|
| 材料 MATERIAL | SEE NOTES |
| 仕上げ FINISH | SEE NOTES |
| 適用電線範囲 WIRE RANGE | —H— |
| 被覆外径 INS. RANGE | —H— |
| DRAWN BY '90/8/27 S.MOCHIZUKI | CHK'D BY '91/2/21 Y.YAMADA |
| APP'D BY '91/2/22 M.ENOMOTO | 尺 度 SCALE 2 - 1 |

| | | | | |
|------------|----------------------------|-------------------------------|-----------------------------|---------------------------|
| 53320-***3 | 0.76 | I.O | I.O | 3 |
| 53320-***2 | 0.5 | | | 2 |
| 53320-***1 | 0.3 | | | 1 |
| 53320-***0 | 0.1 | | | 0 |
| ENG. NO. | CONTACT AREA GOLD [µmMIN.] | SOLDER AREA TIN-LEAD [µmMIN.] | UNDER PLATE NICKEL [µmMIN.] | PLATING INDICATION NUMBER |

3. MATE WITH : 52302, 52386, 52480, 52483 SERIES.

| | | | | | | |
|-------|-------|-------|-------|-------|------------|--------------|
| 93.8 | 88.9 | 87.5 | 85.3 | 78.74 | 53320-096* | 96 |
| 53.16 | 48.26 | 46.86 | 44.66 | 38.1 | 53320-048* | 48 |
| E | D | C | B | A | ENG. NO. | NO. OF CKTS. |



NOTES: 1. MATERIAL
 HEADER: GLASS FILLED P.B.T. (WHITE), UL94V-0
 PIN: BRASS (t=0.58)
 METAL PEG: PHOSPHOR BRONZE (t=0.48),
 TIN-LEAD OVER COPPER PLATING

△ PLATING & PLATING INDICATION NUMBER

REVISION RECORD

| | | | |
|--------|----------------------|----------|----------|
| 記号 LTR | 変更内容 REVISION RECORD | DR. CHK. | 日付 DATE |
| A | REVISED (J10138) | H.H. | '91/2/20 |
| O | RELEASED (J00922) | S.M. | '90/8/27 |

THIS DRAWING CONTAINS INFORMATION THAT IS PROPRIETARY TO MOLEX(JAPAN) AND SHOULD NOT BE USED WITHOUT WRITTEN PERMISSION
 本図面は日本モレックス(株)の所有する情報を含むもので 当社の許可なく複製を禁止する。

注記
NOTES

1. 材質
MATERIAL

ヘッダーガラス入り PBTP(白色), UL94V-0
HEADER : GLASS FILLED PBTP (WHITE), UL94V-0

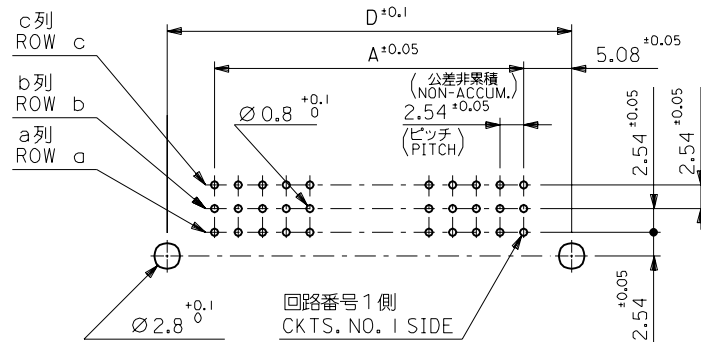
ピン : 黄銅 (t=0.58)
PIN : BRASS (t=0.58)

金属ペグ : リン青銅、銅下地半田メッキ (t=0.48)
METAL PEG : PHOSPHOR BRONZE (t=0.48), TIN-LEAD OVER COPPER PLATING

△ メッキ仕様及び仕様番号
PLATING AND PLATING INDICATION NUMBER

| | | | | |
|------------|--|--|---|--------------------------------------|
| 53320-***3 | 0.76 | I.O | I.O | 3 |
| 53320-***2 | 0.5 | | | 2 |
| 53320-***1 | 0.3 | | | 1 |
| 53320-***0 | 0.1 | | | 0 |
| ENG. NO. | 接点部 金メッキ [μm以上] CONTACT AREA GOLD PLATING [μmMIN.] | 半田付け部 半田メッキ [μm以上] SOLDER AREA TIN-LEAD PLATING [μmMIN.] | 下地 ニッケルメッキ [μm以上] UNDER PLATE NICKEL PLATING [μmMIN.] | メッキ仕様番号 PLATING INDICATION NO. |

3. 嵌合相手 : 52302, 52386, 52480, 52483 シリーズ
MATES WITH : 52302, 52386, 52480, 52483 SERIES



基板穴推奨寸法
RECOMMENDED P. C. BOARD LAYOUT
(部品実装側) (t=1.6)
(VIEW ON COMPONENT SIDE)

DIMENSIONS IN METRIC DO NOT SCALE DRAWING

| | | | | | | |
|----------------------------|--|-------------------|--|-------------------------|--|--|
| 材料 MATERIAL | | 注記参照 SEE NOTES | | M.F. H.H. '92/7/30 | | MOLEX-JAPAN CO.,LTD. 日本モレックス株式会社 |
| 仕上げ FINISH | | 注記参照 SEE NOTES | | H.H. '92/2/20 | | |
| 適用電線範囲 WIRE RANGE | | —H— | | S.M. H.H. '90/8/27 | | TITLE 名称 2.54 B TO B CONN. RIGHT ANGLE HEADER ASS'Y WITH METAL PEG (TRIPLE ROW) |
| 被覆外径 INS. RANGE | | —H— | | S.M. H.H. '90/8/27 | | DWG. NO. SHEET 2 OF 2 REV |
| DRAWN BY '90/8/27 | | CHK'D BY '92/7/30 | | S.M. H.H. '90/8/27 | | SD-53320-***** |
| DRAWN BY '92/7/30 | | CHK'D BY '92/7/30 | | S.M. H.H. '90/8/27 | | B |
| APP'D BY '92/7/30 | | DATE | | M.FUKUSHIMA | | SCALE 2 - 1 |
| 一般公差 GENERAL TOLERANCES | | 記号 LTR | | 変更内容 REVISION RECORD | | |
| 角度 ANGLE | | +3° | | DR. / CHK. | | |
| 30°以上 OVER | | +0.3 | | B | | |
| 10°以上 30°未満 OVER UNDER | | +0.25 | | A | | |
| 10°未満 UNDER | | +0.2 | | O | | |