

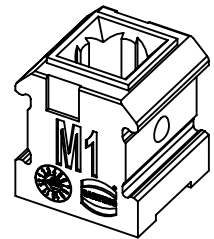
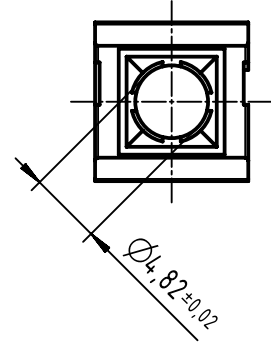
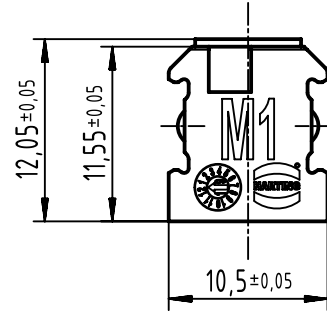
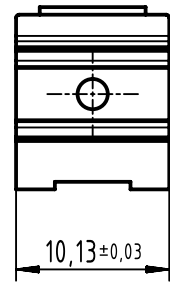
1 2 3 4 5 6

A


B

C

D



board drilling: hole diameter is to be co-ordinated with the respective contact

	All rights reserved Department EL PD	All Dimensions in mm Original Size DIN A4	Scale 2:1	Free size tol.		Ref.
		HARTING Electronics GmbH D-32339 Espelkamp	Created by HASELOH	Inspected by WOLF	Standardisation KOHLER	Date 2020-09-25
Title har-modular M1-module flat female straight					Doc-Key / ECM-Nr. 100812366/UGD/001/D 500000180142	
			Type TB	Number 02529010451		Rev. D
						Page 1/1