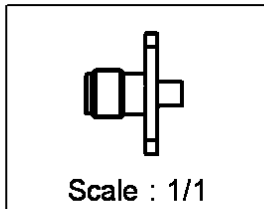
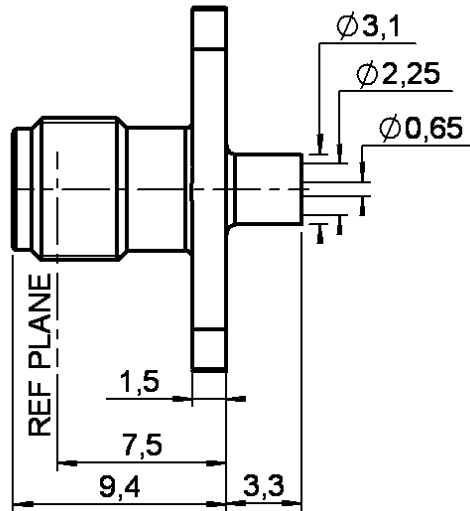
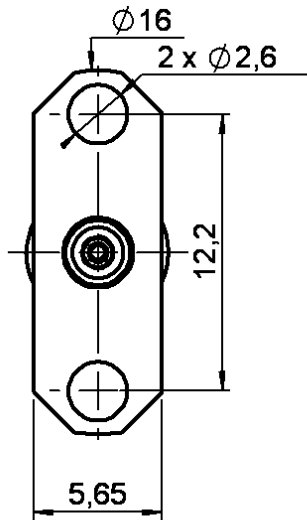


**STRAIGHT 2 HOLES FLANGE JACK SOLDER TYPE**

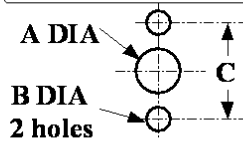
**R125.252.000**

**CABLE .085**

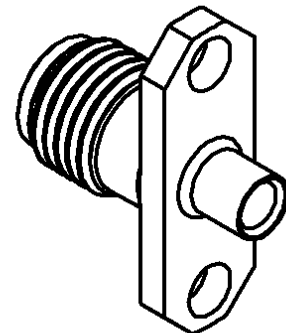
Series : SMA



**PANEL CUT OUT**



mm		
	Maxi	mini
A	6.6	6.5
B	2.7	2.6
C	12.25	12.15



All dimensions are in mm.

COMPONENTS	MATERIALS	PLATINGS (µm)
BODY	INOX	GOLD 0.5 OVER NICKEL 2
CENTER CONTACT	BERYLLIUM COPPER	GOLD 1.3 OVER NICKEL 2
OUTER CONTACT	-	-
INSULATOR	PTFE	-
GASKET	-	-
OTHERS PARTS	-	-
-	-	-
-	-	-

Issue : 1216 J

In the effort to improve our products, we reserve the right to make changes judged to be necessary.



**STRAIGHT 2 HOLES FLANGE JACK SOLDER TYPE**

**R125.252.000**

**CABLE .085**

Series : SMA

**PACKAGING**

Standard	Unit	Other
<b>100</b>	<b>'W' option</b>	<b>Contact us</b>

**SPECIFICATION**

**CABLE ASSEMBLY**

**ELECTRICAL CHARACTERISTICS**

Stripping	a	b	c	d	e	f
mm	3,17	0,00	0,00	0,00	0,00	0,00

Impedance		<b>50</b>	$\Omega$
Frequency		<b>0-18</b>	GHz
VSWR	<b>1.07</b> +	<b>0,0080</b>	x F(GHz) Maxi
Insertion loss		<b>0.03</b>	$\sqrt{F}$ (GHz) dB Maxi
RF leakage	- (	<b>90</b>	- F(GHz)) dB Maxi
Voltage rating		<b>335</b>	Veff Maxi
Dielectric withstanding voltage		<b>750</b>	Veff mini
Insulation resistance		<b>5000</b>	M $\Omega$ mini

Assembly instruction : **Solder 01**

Recommended cable(s)  
RG 405  
KS 1

Cable retention

- pull off **130** N mini  
- torque **NA** N.cm

**MECHANICAL CHARACTERISTICS**

**TOOLING**

Center contact retention			
Axial force – Mating end	<b>NA</b>	N mini	
Axial force – Opposite end	<b>NA</b>	N mini	
Torque	<b>NA</b>	N.cm mini	
Recommended torque			
Mating	<b>NA</b>	N.cm	
Panel nut	<b>NA</b>	N.cm	
Clamp nut	<b>NA</b>	N.cm	
A/F clamp nut	<b>0,0000</b>	mm	
Mating life	<b>500</b>	Cycles mini	
Weight	<b>1,8000</b>	g	

Part Number	Description	Hexagon
R282.063.000	POINTER GAUGE	
R282.051.000	STRIPPING TOOL	denudage(denude)
R282.744.010	SOLDERING POSITIONER (BODY)	
R282.740.000	SOLDERING MOUNTING	
R282.914.010	DIELETRIC RECESS GAUGE	
R282.744.220	SOLDERING POSITIONER(CENTER CONTACT)	
R282.730.043	INSULATOR MOUNTING TOOL	
R282.915.010	DIELECTRIC RECESS TOOL	
R282.862.060	CONTROL GAUGE	
R282.120.010	SMA TOOLBOX	

**ENVIRONMENTAL**

Operating temperature	<b>-65/+105</b>	$^{\circ}$ C
Hermetic seal	<b>NA</b>	Atm.cm3/s
Panel leakage	<b>NA</b>	

**OTHERS CHARACTERISTICS**

Issue : 1216 J

In the effort to improve our products, we reserve the right to make changes judged to be necessary.

