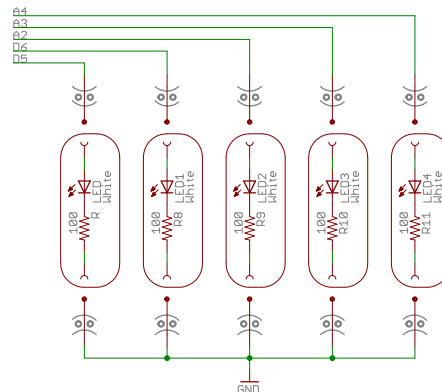


LilyPad - MainBoard Simple

TITLE: LilyPad-Dev-v34	LilyPad
Document Number: Spark Fun Electronics	REV:
Date: not saved!	Sheet: 1/1

Released under the Creative Commons Attribution Share-Alike 3.0 License
<http://creativecommons.org/licenses/by-sa/3.0>

Designed by:
 L. Buchley
 N. Seidle
 P. Lewis



Changes to U33 (12/22/11)
 -fixed miso line

Changes to U34 (1/9/2012)
 -moved to SMD vibrate motor
 -changed lots of silk to vector style font
 -modified dimension on all outer boards to make for easier snapping
 -added more perforation drills on tabs for easier cutting
 -added DSHL to main board