

NO: LS-074 **PRODUCT:** D4GL Safety Door Switch
DATE: April 2015 **TYPE:** Discontinuation Notice Update

D4GL Safety Door Switches were Discontinued March 2015;
 Replace with D4SL-N Series



Discontinuation date: March 2015

Caution on Apply Recommended Replacements

For all models, Dimensions, Wire connection, Mounting dimensions and part of Characteristics and Operation ratings are different.

Affected Parts

Updated parts are shown in **red**.

Product discontinuation	Recommended replacement
D4GL-1AFA-A	D4SL-N4AFA
	D4SL-N4AFA-N
D4GL-1AFA-A4	D4SL-N4AFA
	D4SL-N4AFA-N
D4GL-1AFG-A	D4SL-N4AFG
	D4SL-N4AFG-N
D4GL-1AFG-A4	D4SL-N4AFG
	D4SL-N4AFG-N
D4GL-1BFA-A	D4SL-N4BFA
	D4SL-N4BFA-N
D4GL-1BFA-A4	D4SL-N4BFA
	D4SL-N4BFA-N
D4GL-1BFG-A	D4SL-N4BFG
	D4SL-N4BFG-N
D4GL-1BFG-A4	D4SL-N4BFG
	D4SL-N4BFG-N

Product discontinuation	Recommended replacement
D4GL-1CFA-A	D4SL-N4CFA
	D4SL-N4CFA-N
D4GL-1CFA-A4	D4SL-N4CFA
	D4SL-N4CFA-N
D4GL-1CFG-A	D4SL-N4CFG
	D4SL-N4CFG-N
D4GL-1CFG-A4	D4SL-N4CFG
	D4SL-N4CFG-N
D4GL-1DFA-A	D4SL-N4DFA
	D4SL-N4DFA-N
D4GL-1DFA-A4	D4SL-N4DFA
	D4SL-N4DFA-N
D4GL-1DFG-A	D4SL-N4DFG
	D4SL-N4DFG-N
D4GL-1DFG-A4	D4SL-N4DFG
	D4SL-N4DFG-N
D4GL-1EFA-A	D4SL-N4EFA-D
	D4SL-N4EFA-DN
D4GL-1EFA-A4	D4SL-N4EFA-D4
	D4SL-N4EFA-D4N
D4GL-1EFG-A	D4SL-N4EFG-D
	D4SL-N4EFG-DN
D4GL-1EFG-A4	D4SL-N4EFG-D4
	D4SL-N4EFG-D4N
D4GL-1FFA-A	D4SL-N4FFA-D
	D4SL-N4FFA-DN
D4GL-1FFA-A4	D4SL-N4FFA-D4
	D4SL-N4FFA-D4N
D4GL-1FFG-A	D4SL-N4FFG-D
	D4SL-N4FFG-DN
D4GL-1FFG-A4	D4SL-N4FFG-D4
	D4SL-N4FFG-D4N
D4GL-1GFA-A	D4SL-N4GFA-D
	D4SL-N4GFA-DN
D4GL-1GFA-A4	D4SL-N4GFA-D4
	D4SL-N4GFA-D4N
D4GL-1GFG-A	D4SL-N4GFG-D
	D4SL-N4GFG-DN
D4GL-1GFG-A4	D4SL-N4GFG-D4
	D4SL-N4GFG-D4N
D4GL-1HFA-A	D4SL-N4HFA-D
	D4SL-N4HFA-DN
D4GL-1HFA-A4	D4SL-N4HFA-D4
	D4SL-N4HFA-D4N
D4GL-1HFG-A	D4SL-N4HFG-D
	D4SL-N4HFG-DN

Product discontinuation	Recommended replacement
D4GL-1HFG-A4	D4SL-N4HFG-D4
	D4SL-N4HFG-D4N
D4GL-2AFA-A	D4SL-N2AFA
	D4SL-N2AFA-N
D4GL-2AFA-A4	D4SL-N2AFA
	D4SL-N2AFA-N
D4GL-2AFG-A	D4SL-N2AFG
	D4SL-N2AFG-N
D4GL-2AFG-A4	D4SL-N2AFG
	D4SL-N2AFG-N
D4GL-2BFA-A	D4SL-N2BFA
	D4SL-N2BFA-N
D4GL-2BFA-A4	D4SL-N2BFA
	D4SL-N2BFA-N
D4GL-2BFG-A	D4SL-N2BFG
	D4SL-N2BFG-N
D4GL-2BFG-A4	D4SL-N2BFG
	D4SL-N2BFG-N
D4GL-2CFA-A	D4SL-N2CFA
	D4SL-N2CFA-N
D4GL-2CFA-A4	D4SL-N2CFA
	D4SL-N2CFA-N
D4GL-2CFG-A	D4SL-N2CFG
	D4SL-N2CFG-N
D4GL-2CFG-A4	D4SL-N2CFG
	D4SL-N2CFG-N
D4GL-2DFA-A	D4SL-N2DFA
	D4SL-N2DFA-N
D4GL-2DFA-A4	D4SL-N2DFA
	D4SL-N2DFA-N
D4GL-2DFG-A	D4SL-N2DFG
	D4SL-N2DFG-N
D4GL-2DFG-A4	D4SL-N2DFG
	D4SL-N2DFG-N
D4GL-2EFA-A	D4SL-N2EFA-D
	D4SL-N2EFA-DN
D4GL-2EFA-A4	D4SL-N2EFA-D4
	D4SL-N2EFA-D4N
D4GL-2EFG-A	D4SL-N2EFG-D
	D4SL-N2EFG-DN
D4GL-2EFG-A4	D4SL-N2EFG-D4
	D4SL-N2EFG-D4N
D4GL-2FFA-A	D4SL-N2FFA-D
	D4SL-N2FFA-DN

Product discontinuation	Recommended replacement
D4GL-2FFA-A4	D4SL-N2FFA-D4
	D4SL-N2FFA-D4N
D4GL-2FFG-A	D4SL-N2FFG-D
	D4SL-N2FFG-DN
D4GL-2FFG-A4	D4SL-N2FFG-D4
	D4SL-N2FFG-D4N
D4GL-2GFA-A	D4SL-N2GFA-D
	D4SL-N2GFA-DN
D4GL-2GFA-A4	D4SL-N2GFA-D4
	D4SL-N2GFA-D4N
D4GL-2GFG-A	D4SL-N2GFG-D
	D4SL-N2GFG-DN
D4GL-2GFG-A4	D4SL-N2GFG-D4
	D4SL-N2GFG-D4N
D4GL-2HFA-A	D4SL-N2HFA-D
	D4SL-N2HFA-DN
D4GL-2HFA-A4	D4SL-N2HFA-D4
	D4SL-N2HFA-D4N
D4GL-2HFG-A	D4SL-N2HFG-D
	D4SL-N2HFG-DN
D4GL-2HFG-A4	D4SL-N2HFG-D4
	D4SL-N2HFG-D4N
D4GL-4AFA-A	D4SL-N4AFA
	D4SL-N4AFA-N
D4GL-4AFA-A4	D4SL-N4AFA
	D4SL-N4AFA-N
D4GL-4AFG-A	D4SL-N4AFG
	D4SL-N4AFG-N
D4GL-4AFG-A4	D4SL-N4AFG
	D4SL-N4AFG-N
D4GL-4BFA-A	D4SL-N4BFA
	D4SL-N4BFA-N
D4GL-4BFA-A4	D4SL-N4BFA
	D4SL-N4BFA-N
D4GL-4BFG-A	D4SL-N4BFG
	D4SL-N4BFG-N
D4GL-4BFG-A4	D4SL-N4BFG
	D4SL-N4BFG-N
D4GL-4CFA-A	D4SL-N4CFA
	D4SL-N4CFA-N
D4GL-4CFA-A4	D4SL-N4CFA
	D4SL-N4CFA-N
D4GL-4CFG-A	D4SL-N4CFG
	D4SL-N4CFG-N
D4GL-4CFG-A4	D4SL-N4CFG
	D4SL-N4CFG-N

Product discontinuation	Recommended replacement
D4GL-4DFA-A	D4SL-N4DFA
	D4SL-N4DFA-N
D4GL-4DFA-A4	D4SL-N4DFA
	D4SL-N4DFA-N
D4GL-4DFG-A	D4SL-N4DFG
	D4SL-N4DFG-N
D4GL-4DFG-A4	D4SL-N4DFG
	D4SL-N4DFG-N
D4GL-4EFA-A	D4SL-N4EFA-D
	D4SL-N4EFA-DN
D4GL-4EFA-A4	D4SL-N4EFA-D4
	D4SL-N4EFA-D4N
D4GL-4EFG-A	D4SL-N4EFG-D
	D4SL-N4EFG-DN
D4GL-4EFG-A4	D4SL-N4EFG-D4
	D4SL-N4EFG-D4N
D4GL-4FFA-A	D4SL-N4FFA-D
	D4SL-N4FFA-DN
D4GL-4FFA-A4	D4SL-N4FFA-D4
	D4SL-N4FFA-D4N
D4GL-4FFG-A	D4SL-N4FFG-D
	D4SL-N4FFG-DN
D4GL-4FFG-A4	D4SL-N4FFG-D4
	D4SL-N4FFG-D4N
D4GL-4GFA-A	D4SL-N4GFA-D
	D4SL-N4GFA-DN
D4GL-4GFA-A4	D4SL-N4GFA-D4
	D4SL-N4GFA-D4N
D4GL-4GFG-A	D4SL-N4GFG-D
	D4SL-N4GFG-DN
D4GL-4GFG-A4	D4SL-N4GFG-D4
	D4SL-N4GFG-D4N
D4GL-4HFA-A	D4SL-N4HFA-D
	D4SL-N4HFA-DN
D4GL-4HFA-A4	D4SL-N4HFA-D4
	D4SL-N4HFA-D4N
D4GL-4HFG-A	D4SL-N4HFG-D
	D4SL-N4HFG-DN
D4GL-4HFG-A4	D4SL-N4HFG-D4
	D4SL-N4HFG-D4N
D4GL-2ADA-A4	D4SL-N2AFA
	D4SL-N2AFA-N
D4GL-2BDA-A	D4SL-N2BFA
	D4SL-N2BFA-N

Product discontinuation	Recommended replacement
D4GL-2EDA-A	D4SL-N2EDA-D
	D4SL-N2EDA-DN
D4GL-2EDG-A	D4SL-N2EDG-D
	D4SL-N2EDG-DN
D4GL-2FDA-A	D4SL-N2FDA-D
	D4SL-N2FDA-DN
D4GL-2FDG-A	D4SL-N2FDG-D
	D4SL-N2FDG-DN
D4GL-2GDA-A	D4SL-N2GDA-D
	D4SL-N2GDA-DN
D4GL-2GDG-A	D4SL-N2GDG-D
	D4SL-N2GDG-DN
D4GL-2HDA-A	D4SL-N2HDA-D
	D4SL-N2HDA-DN
D4GL-2HDG-A	D4SL-N2HDG-D
	D4SL-N2HDG-DN
D4GL-4ADA-A	D4SL-N4AFA
	D4SL-N4AFA-N
D4GL-4CDG-A4	D4SL-N4CFG
	D4SL-N4CFG-N
D4GL-4GDG-A4	D4SL-N4GDG-D4
	D4SL-N4GDG-D4N
D4GL-2AFA-A-SJ	D4SL-N2AFA
	D4SL-N2AFA-N
D4GL-2AFG-A-SJ	D4SL-N2AFG
	D4SL-N2AFG-N
D4GL-2BFA-A-SJ	D4SL-N2BFA
	D4SL-N2BFA-N
D4GL-2BFG-A-SJ	D4SL-N2BFG
	D4SL-N2BFG-N
D4GL-2CFA-A-SJ	D4SL-N2CFA
	D4SL-N2CFA-N
D4GL-2CFG-A-SJ	D4SL-N2CFG
	D4SL-N2CFG-N
D4GL-2DFA-A-SJ	D4SL-N2DFA
	D4SL-N2DFA-N
D4GL-2DFG-A-SJ	D4SL-N2DFG
	D4SL-N2DFG-N
D4GL-2EFA-A-SJ	D4SL-N2EFA-D
	D4SL-N2EFA-DN
D4GL-2EFG-A-SJ	D4SL-N2EFG-D
	D4SL-N2EFG-DN
D4GL-2FFA-A-SJ	D4SL-N2FFA-D
	D4SL-N2FFA-DN
D4GL-2FFG-A-SJ	D4SL-N2FFG-D
	D4SL-N2FFG-DN

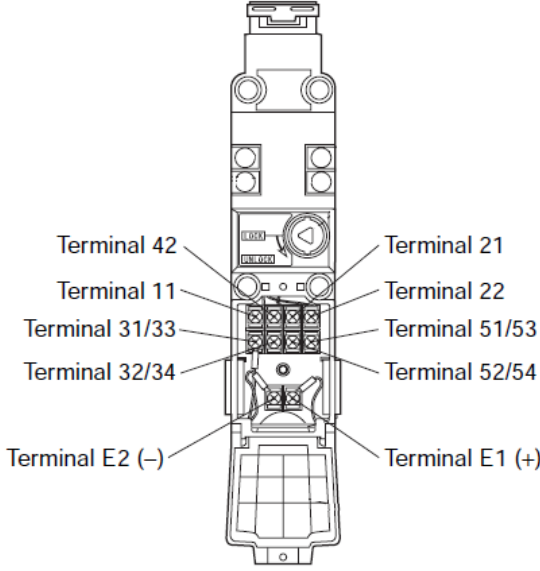
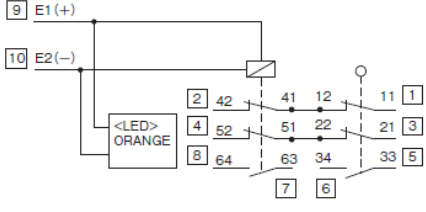
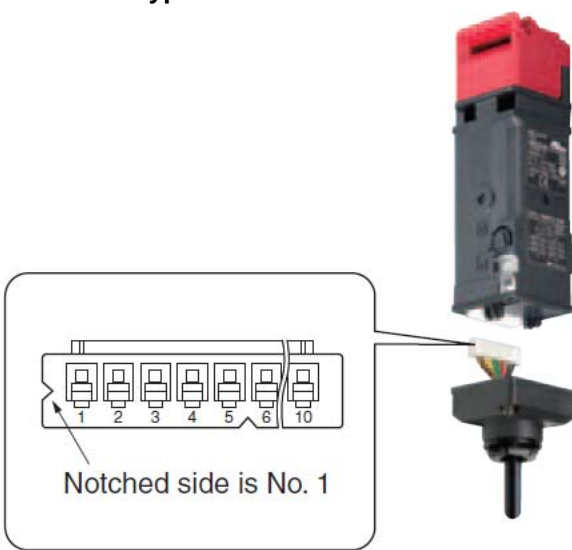
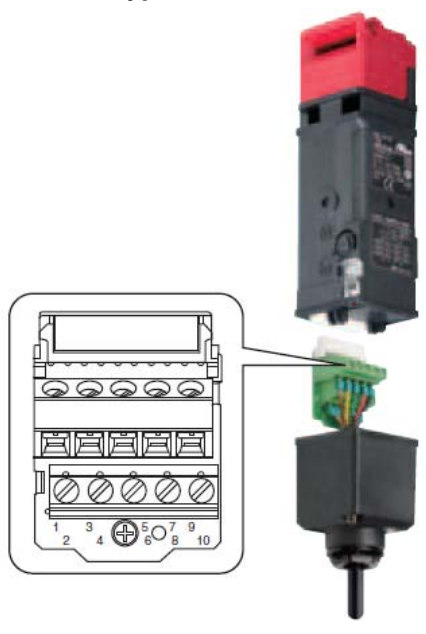
Product discontinuation	Recommended replacement
D4GL-2GFA-A-SJ	D4SL-N2GFA-D
	D4SL-N2GFA-DN
D4GL-2GFG-A-SJ	D4SL-N2GFG-D
	D4SL-N2GFG-DN
D4GL-2HFA-A-SJ	D4SL-N2HFA-D
	D4SL-N2HFA-DN
D4GL-2HFG-A-SJ	D4SL-N2HFG-D
	D4SL-N2HFG-DN
D4GL-4AFA-A-SJ	D4SL-N4AFA
	D4SL-N4AFA-N
D4GL-4AFG-A-SJ	D4SL-N4AFG
	D4SL-N4AFG-N
D4GL-4BFA-A-SJ	D4SL-N4BFA
	D4SL-N4BFA-N
D4GL-4BFG-A-SJ	D4SL-N4BFG
	D4SL-N4BFG-N
D4GL-4CFA-A-SJ	D4SL-N4CFA
	D4SL-N4CFA-N
D4GL-4CFG-A-SJ	D4SL-N4CFG
	D4SL-N4CFG-N
D4GL-4DFA-A-SJ	D4SL-N4DFA
	D4SL-N4DFA-N
D4GL-4DFG-A-SJ	D4SL-N4DFG
	D4SL-N4DFG-N
D4GL-4EFA-A-SJ	D4SL-N4EFA-D
	D4SL-N4EFA-DN
D4GL-4EFG-A-SJ	D4SL-N4EFG-D
	D4SL-N4EFG-DN
D4GL-4FFA-A-SJ	D4SL-N4FFA-D
	D4SL-N4FFA-DN
D4GL-4FFG-A-SJ	D4SL-N4FFG-D
	D4SL-N4FFG-DN
D4GL-4GFA-A-SJ	D4SL-N4GFA-D
	D4SL-N4GFA-DN
D4GL-4GFG-A-SJ	D4SL-N4GFG-D
	D4SL-N4GFG-DN
D4GL-4HFA-A-SJ	D4SL-N4HFA-D
	D4SL-N4HFA-DN
D4GL-4HFG-A-SJ	D4SL-N4HFG-D
	D4SL-N4HFG-DN
D4GL-4AFA-A-NPT	D4SL-N3AFA
	D4SL-N3AFA-N
D4GL-4AFA-A4-NPT	D4SL-N3AFA
	D4SL-N3AFA-N

Product discontinuation	Recommended replacement
D4GL-4AFG-A-NPT	D4SL-N3AFG
	D4SL-N3AFG-N
D4GL-4AFG-A4-NPT	D4SL-N3AFG
	D4SL-N3AFG-N
D4GL-4BFA-A-NPT	D4SL-N3BFA
	D4SL-N3BFA-N
D4GL-4BFA-A4-NPT	D4SL-N3BFA
	D4SL-N3BFA-N
D4GL-4BFG-A-NPT	D4SL-N3BFG
	D4SL-N3BFG-N
D4GL-4BFG-A4-NPT	D4SL-N3BFG
	D4SL-N3BFG-N
D4GL-4CFA-A-NPT	D4SL-N3CFA
	D4SL-N3CFA-N
D4GL-4CFA-A4-NPT	D4SL-N3CFA
	D4SL-N3CFA-N
D4GL-4CFG-A-NPT	D4SL-N3CFG
	D4SL-N3CFG-N
D4GL-4CFG-A4-NPT	D4SL-N3CFG
	D4SL-N3CFG-N
D4GL-4DFA-A-NPT	D4SL-N3DFA
	D4SL-N3DFA-N
D4GL-4DFA-A4-NPT	D4SL-N3DFA
	D4SL-N3DFA-N
D4GL-4DFG-A-NPT	D4SL-N3DFG
	D4SL-N3DFG-N
D4GL-4DFG-A4-NPT	D4SL-N3DFG
	D4SL-N3DFG-N
D4GL-4EFA-A-NPT	D4SL-N3EFA-D
	D4SL-N3EFA-DN
D4GL-4EFA-A4-NPT	D4SL-N3EFA-D4
	D4SL-N3EFA-D4N
D4GL-4EFG-A-NPT	D4SL-N3EFG-D
	D4SL-N3EFG-DN
D4GL-4EFG-A4-NPT	D4SL-N3EFG-D4
	D4SL-N3EFG-D4N
D4GL-4FFA-A-NPT	D4SL-N3FFA-D
	D4SL-N3FFA-DN
D4GL-4FFA-A4-NPT	D4SL-N3FFA-D4
	D4SL-N3FFA-D4N

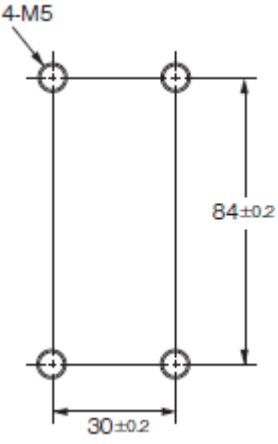
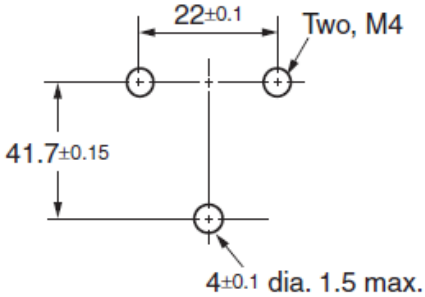
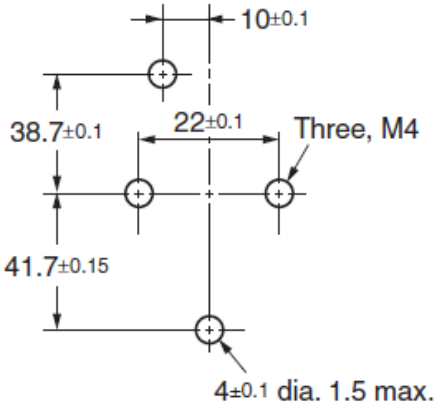
Product discontinuation	Recommended replacement
D4GL-4FFG-A-NPT	D4SL-N3FFG-D
	D4SL-N3FFG-DN
D4GL-4FFG-A4-NPT	D4SL-N3FFG-D4
	D4SL-N3FFG-D4N
D4GL-4GFA-A-NPT	D4SL-N3GFA-D
	D4SL-N3GFA-DN
D4GL-4GFA-A4-NPT	D4SL-N3GFA-D4
	D4SL-N3GFA-D4N
D4GL-4GFG-A-NPT	D4SL-N3GFG-D
	D4SL-N3GFG-DN
D4GL-4GFG-A4-NPT	D4SL-N3GFG-D4
	D4SL-N3GFG-D4N
D4GL-4HFA-A-NPT	D4SL-N3HFA-D
	D4SL-N3HFA-DM
D4GL-4HFA-A4-NPT	D4SL-N3HFA-D4
	D4SL-N3HFA-D4N
D4GL-4HFG-A-NPT	D4SL-N3HFG-D
	D4SL-N3HFG-DN
D4GL-4HFG-A4-NPT	D4SL-N3HFG-D4
	D4SL-N3HFG-D4N
D4GL-4GDG-A4-NPT	D4SL-N3GDG-D4
	D4SL-N3GDG-D4N
D4GL-SK10-LK	D4SL-NSK10-LK
D4GL-SK10-LKH	D4SL-NSK10-LKH
D4GL-SK10-LK-K	D4SL-NSK10-LK-K
D4GL-SK10-LKH-K	D4SL-NSK10-LKH-K

Detail of Differences

Wiring Diagrams

Product discontinuation Model D4GL series	Recommended replacement Model D4SL-N series
<p>Terminal Layout</p>  <p>Terminal 42</p> <p>Terminal 11</p> <p>Terminal 31/33</p> <p>Terminal 32/34</p> <p>Terminal E2 (-)</p> <p>Terminal 21</p> <p>Terminal 22</p> <p>Terminal 51/53</p> <p>Terminal 52/54</p> <p>Terminal E1 (+)</p>	<p>Terminal Layout (In case of 2NC/1NO+2NC/1NO contact type)</p>  <p>Connector type</p>  <p>Terminal type</p> 

Mounting Holes

Product discontinuation Model D4GL series	Recommended replacement Model D4SL-N series
 <p>4-M5</p> <p>30±0.2</p> <p>84±0.2</p>	<p>Front mounting</p>  <p>22±0.1</p> <p>Two, M4</p> <p>41.7±0.15</p> <p>4±0.1 dia. 1.5 max.</p> <p>Side mounting</p>  <p>10±0.1</p> <p>38.7±0.1</p> <p>22±0.1</p> <p>Three, M4</p> <p>41.7±0.15</p> <p>4±0.1 dia. 1.5 max.</p>

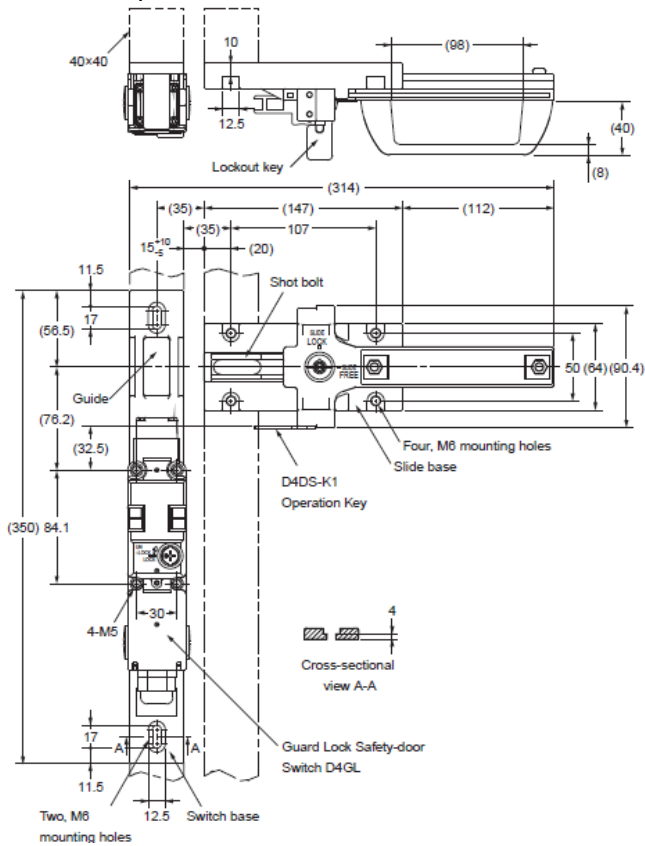
Dimensions

Product discontinuation Model D4GL series / D4GL-SK10-LK series	Recommended replacement Model D4SL-N series / D4SL-NSK10-LK series
<p>D4GL series</p> <p>Four, head mounting screws</p> <p>Head cap</p> <p>Pre-travel distance</p> <p>Operation Key</p> <p>47</p> <p>40</p> <p>38</p> <p>23.5</p> <p>15.3</p> <p>34.4</p> <p>31.5</p> <p>84±0.2</p> <p>148</p> <p>187</p> <p>Four, 5.2-dia. holes</p> <p>Four, 9.2-dia. spot facings (depth: 10)</p> <p>Four, LED indicators</p> <p>Release key</p> <p>UN Lock LOCK</p> <p>Cover mounting screw</p> <p>Two, cap screws</p> <p>21.5</p> <p>23.5</p> <p>3</p> <p>30±0.2</p> <p>43</p> <p>Conduit cap</p> <p>18.5</p>	<p>D4SL-N series</p> <p>Connector type</p> <p>Head cap</p> <p>29.2</p> <p>29.2</p> <p>9</p> <p>Pre-travel distance</p> <p>Operation Key</p> <p>Front-side mounting</p> <p>Two, 4.3 dia. Mounting hole</p> <p>39</p> <p>4.5 dia. (depth: 1.6)</p> <p>22±0.2</p> <p>4 31.5 42.9</p> <p>41.7±0.2</p> <p>(62.75)</p> <p>(73.5)</p> <p>112.1±0.8</p> <p>LED indicators</p> <p>Release key</p> <p>26 dia.</p> <p>(10.85)</p> <p>(1)</p> <p>(8)</p> <p>Conduit cap</p> <p>One, Conduit</p> <p>Two, Cover mounting screw</p> <p>Side mounting</p> <p>Three, 4.3 dia. Mounting hole</p> <p>39</p> <p>37</p> <p>22±0.2</p> <p>10</p> <p>38.7±0.2</p> <p>38.5</p> <p>41.7±0.2</p> <p>4.5 dia. (depth: 1.6)</p> <p>179.9</p>
	<p>Terminal type</p> <p>Head cap</p> <p>29.2</p> <p>29.2</p> <p>9</p> <p>Pre-travel distance</p> <p>Operation Key</p> <p>Front-side mounting</p> <p>Two, 4.3 dia. Mounting hole</p> <p>39</p> <p>4.5 dia. (depth: 1.6)</p> <p>22±0.2</p> <p>4 31.5 42.9</p> <p>41.7±0.2</p> <p>(62.75)</p> <p>(73.5)</p> <p>137±0.8</p> <p>LED indicators</p> <p>Release key</p> <p>26 dia.</p> <p>(10.85)</p> <p>(1)</p> <p>(8)</p> <p>Conduit cap</p> <p>One, Conduit</p> <p>Two, Cover mounting screw</p> <p>Side mounting</p> <p>Three, 4.3 dia. Mounting hole</p> <p>39</p> <p>37</p> <p>22±0.2</p> <p>10</p> <p>38.7±0.2</p> <p>38.5</p> <p>41.7±0.2</p> <p>4.5 dia. (depth: 1.6)</p> <p>179.9</p>

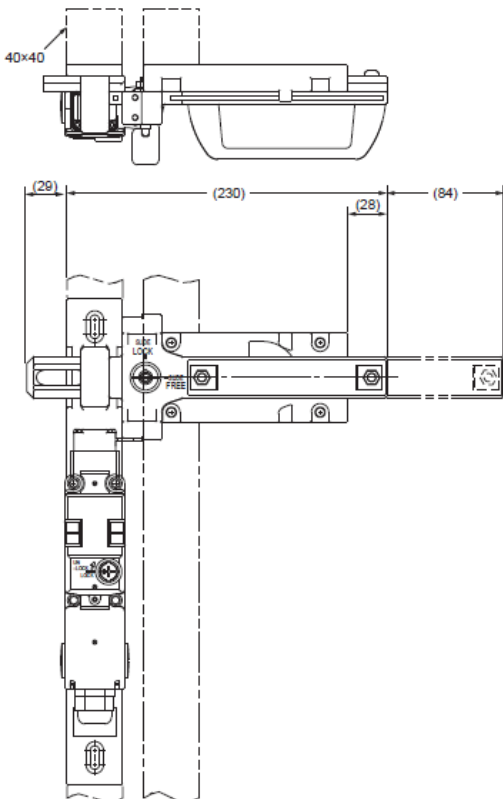
Product discontinuation
Model D4GL series / D4GL-SK10-LK series

D4GL-SK10-LK series

Door open



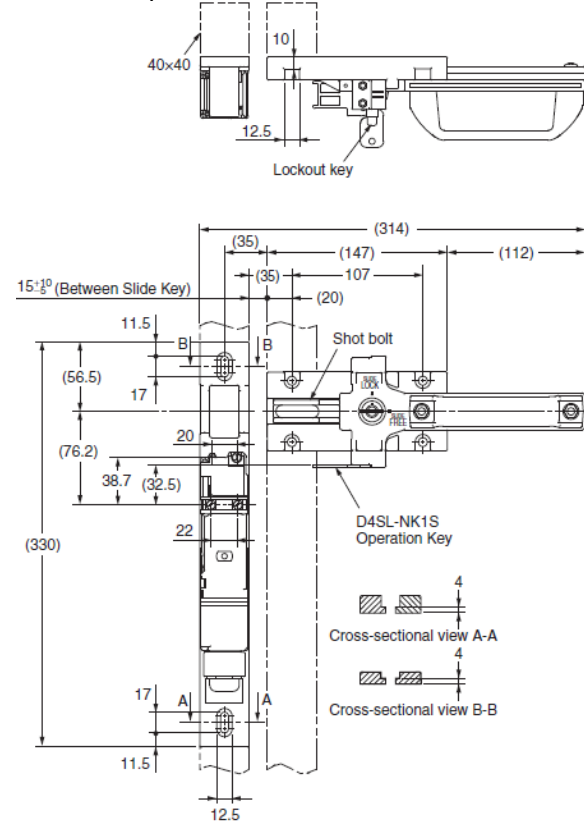
Door closed



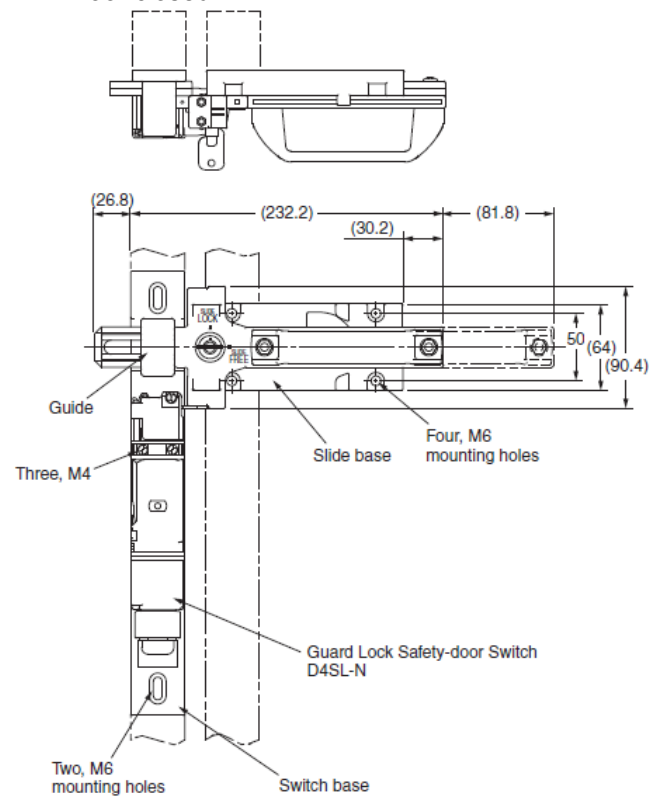
Recommended replacement
Model D4SL-N series / D4SL-NSK10-LK series

D4SL-NSK10-LK series

Door open



Door closed



Characteristics

Item	Product discontinuation Model D4GL series	Recommendable replacement Model D4SL-N series
TUV certified ratings	AC-15 Rated operating current (Ie): 0.75A Rated operating voltage (Ue): 240V DC-13 Rated operating current (Ie): 0.27A Rated operating voltage (Ue): 250V	AC-15 Rated operating current (Ie): 11-42, 21-52, 21-22: 1.5A Other terminals: 1A Rated operating voltage (Ue): 120V DC-13 Rated operating current (Ie): 0.22A Rated operating voltage (Ue): 125V
UL certified ratings	AC: C300 DC: Q300	AC: C150 DC: R150
Solenoid coil current consumption	Approx. 200mA	Power ON 6 contact type: Approx. 260mA 4 contact/5 contact type: Approx. 200mA Constant Approx. 200mA
Indicator (LED) current consumption	Approx. 3mA	Approx. 10mA
Electrical durability	500,000 operations min. (4mA resistive load at 24VDC) 150,000 operations min. (1A resistive load at AC125V, 2 circuits / 4mA resistive load at 24VDC, 2 circuits)	150,000 operations min. (1A resistive load at 125VAC)
Operating speed	0.05 to 0.5 m/s	0.05 to 1 m/s
Operating frequency	30 operations/minute max.	5 operations/minute max.
Direct opening travel	10mm min.	15mm min.
Holding force	1,000N min.	1,300N min.
Contact resistance	100mΩ max.	200mΩ max.
Minimum applicable load	4mA resistive load at 24VDC	1mA resistive load at 5VDC
Rated insulation voltage (Ui)	300V	150V
Impulse withstand voltage	Between terminals of same polarity: 2.5kV Between terminals of different polarity : 4kV Between other terminals and non-current carrying metallic parts: 4kV	Between terminals of same polarity: 1.5kV Between terminals of different polarity : 1.5kV Between other terminals and non-current carrying metallic parts: 2.5kV
Vibration resistance (Malfunction)	10 to 55Hz, 0.75 mm single amplitude	10 to 55Hz, 0.35 mm single amplitude
Shock resistance (Malfunction)	300m/s ² min.	80m/s ² min.

Operation Methods

Product discontinuation Model D4GL series	Recommended replacement Model D4SL-N series
Pre-travel Distance 10mm max. Movement before being locked 4mm min.	Pre-travel Distance 15mm max. Movement before being locked 3mm min.

Specifications and prices in this product news are as of the issue date and are subject to change without notice. Only main changes in specifications are described in this document. Please be sure to read the relevant catalogs, datasheets, product specifications, instructions, and manuals for precautions and necessary information when using products.