



ANATECH ELECTRONICS INC
RF & Microwave Filters & Products

950.5 MHz Cavity Bandpass Filter

Part Number: AE950B11600



Electrical Specifications

Center Frequency: 950.5 MHz
Bandwidth: 4 MHz(946.3-950.3 MHz)
Insertion Loss: <4dB (3.0 dB typical)
Passband Return Loss: 18dB
Passband Ripple: <0.2dB
Rejection: ≥40dB @ 940.5-945.5 MHz (45dB typical)
Power Handling: 20 W CW, 200 W peak
Input / Output Impedance: 50 Ohms

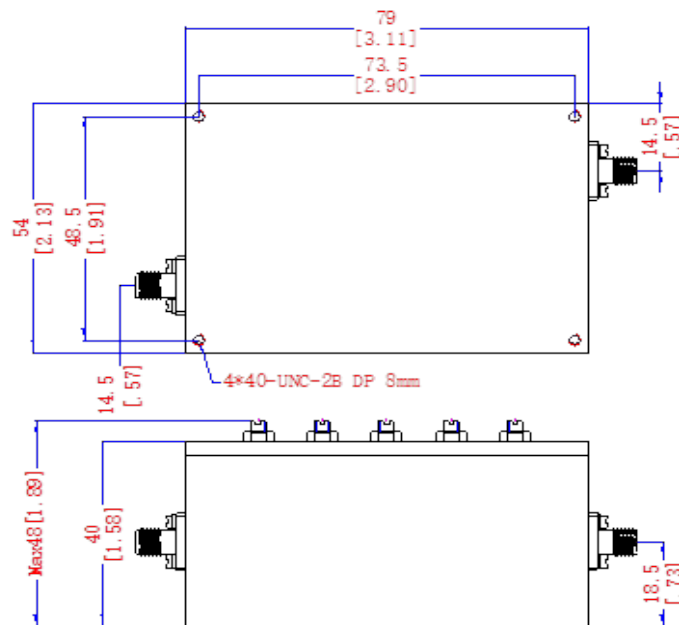
Mechanical

Mounting Method: 4-40 UNC Threaded Holes
Connector Type: N-Type(F)
Dimensions: 79 x 54 x 40 mm

Environmental

Operating Temperature: 0°C to +50°C
Storage Temperature: -55°C to +85°C
Shock: 20 G. 11ms
Vibration: 20 G. 5 to 200Hz

Outline Drawing:





ANATECH ELECTRONICS INC
RF & Microwave Filters & Products

950.5 MHz Cavity Bandpass Filter

Part Number: AE950B11600



Simulation Plot:

