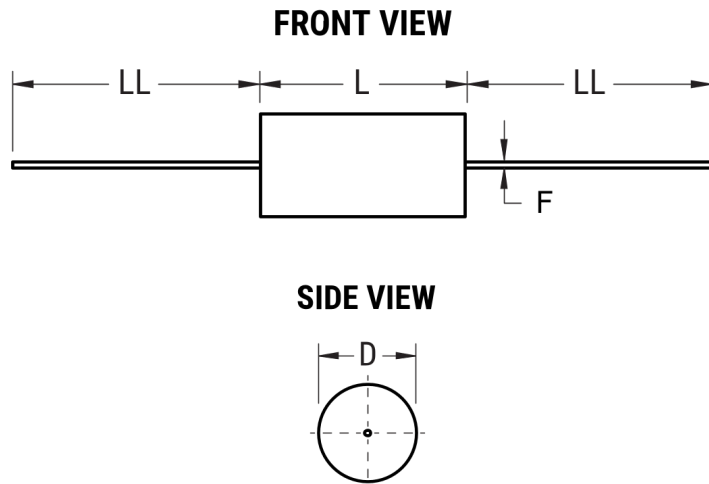


A70PF11002600J

Aliases (70PF11002600J)

A70, Film, Metallized Polypropylene, General Purpose, 1000 pF, 5%, 250 VAC, 630 VDC, 85°C



Click [here](#) for the 3D model.

Dimensions	
D	5mm MAX
L	11mm MAX
LL	38mm MIN
F	0.5mm +/-0.05mm

Packaging Specifications	
Packaging	T&R
Packaging Quantity	3000

General Information	
Series	A70
Dielectric	Metallized Polypropylene
Style	Axial
RoHS	Yes
Lead	Wire Leads
AEC-Q200	No
Component Weight	0.6 g
Miscellaneous	Above 85C DC And AC Voltage Derating Is 1.25%/C. maxKO = 38000.

Specifications	
Capacitance	1000 pF
Capacitance Tolerance	5%
Voltage AC	250 VAC
Voltage DC	630 VDC, 472.5 VDC (105C)
Temperature Range	-55/+105°C
Rated Temperature	85°C
Dissipation Factor	0.06% 1kHz, 0.1% 10kHz, 0.3% 100kHz
Insulation Resistance	100 GOhms
Max dV/dt	30 V/us
Inductance	11 nH

Statements of suitability for certain applications are based on our knowledge of typical operating conditions for such applications, but are not intended to constitute - and we specifically disclaim - any warranty concerning suitability for a specific customer application or use. This information is intended for use only by customers who have the requisite experience and capability to determine the correct products for their application. Any technical advice inferred from this information or otherwise provided by us with reference to the use of our products is given gratis, and we assume no obligation or liability for the advice given or results obtained.