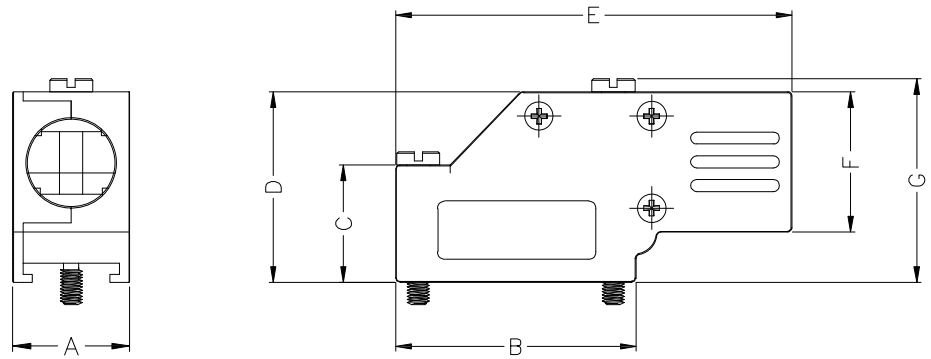


DESCRIPTION: D-SUB BACKSHELL - RIGHT ANGLE - 9 & 25 POSITION

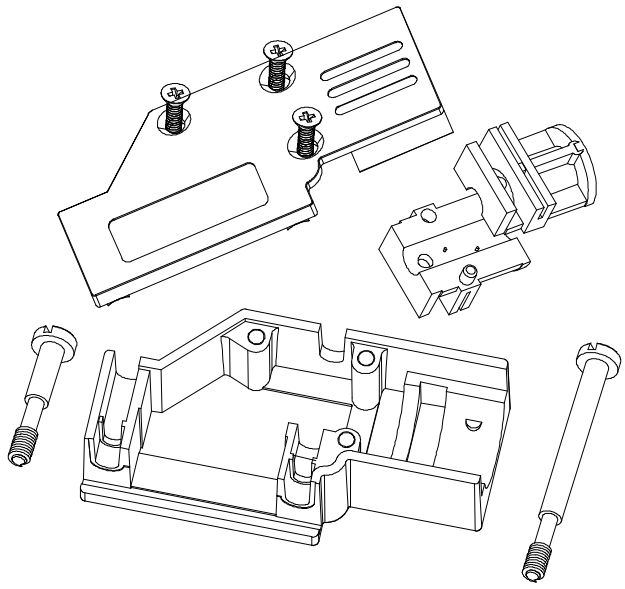


DIMENSIONS(mm/in)							
SIZE	A ± 1.20 ± 0.047	B ± 1.20 ± 0.047	C ± 0.80 ± 0.031	D ± 0.80 ± 0.031	E ± 0.80 ± 0.031	F ± 0.80 ± 0.031	G ± 0.80 ± 0.031
9	15.0	30.8	15.0	24.4	50.8	18.0	26.2
	0.59	1.21	0.59	0.96	2.0	0.71	1.03
25	15.8	53.3	23.1	34.5	72.4	24.3	36.6
	0.62	2.10	0.91	1.36	2.85	0.96	1.44


BACKSHELL KIT INCLUDES:

- (2) BACKSHELL HALVES
- (3) HOUSING SCREWS
- (1) 4-40 LONG FLAT HEAD SCREW
- (1) 4-40 SHORT FLAT HEAD SCREW
- (1) SET OF COMPRESSION INSERTS-VARIOUS SIZES
DIAMETERS 0.157"(4mm), 0.167"(5mm), 0.276"(7mm), 0.354"(9mm)

BACKSHELL MATERIAL: DIE CAST ZINC ALLOY, NICKEL PLATED
 4-40 FLAT HEAD SCREWS: STEEL, ZINC PLATED
 HOUSING SCREWS: STEEL, ZINC PLATED
 COMPRESSION INSERT: ABS, UL RECOGNIZED
 OPERATING TEMP: -40°C TO +120°C



DO NOT SCALE FROM DRAWING

	THESE DRAWINGS AND SPECIFICATIONS ARE THE PROPERTY OF NorComp AND SHALL NOT BE REPRODUCED, COPIED OR USED AS THE BASIS FOR THE MANUFACTURE OF SALE OF APPARATUS WITHOUT WRITTEN PERMISSION.		DRAWN: B. BRIDGES	DATE: 02-14-18
	<h1>NorComp</h1>		SCALE: NTS	SHEET 1 OF 1
DWG NO. 962-YYY-030R121				

RoHS COMPLIANT