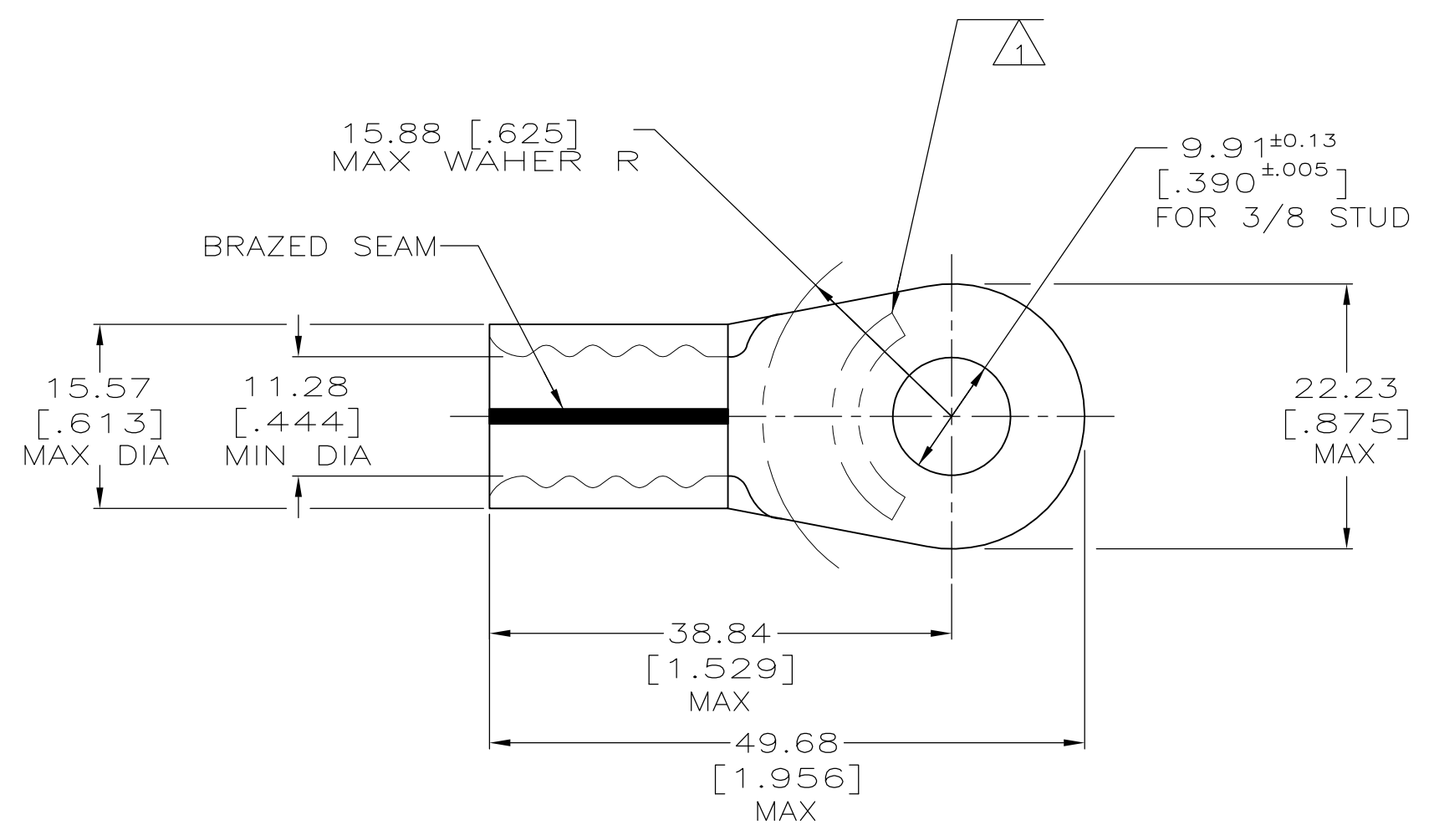


LOC	DIST	REVISIONS			
P	LTR	DESCRIPTION	DATE	OWN	APVD
G	14	L5	REVISED PER ECO-14-015173	08OCT2014	NK DR

<b>AMP</b> WIRE RANGE	Listed FILE E13288	LR7189 Certified
1/0 AWG STRANDED	1/0 AWG STRANDED	1/0 AWG STRANDED



- 1 STAMP AMP 1/0W\* APPROX AS SHOWN
- 2 MATERIAL THK: 1.78±0.08 [.070±.003]
- 3 0.00254 [.000100] MIN TIN PLATE PER ASTM B-545
- 4 GOLD PLATE 0.00127[.000050]MIN. EXT. THK. PER ASTM B488, TYPE 1, CODE C OVER NICKEL PLATE 0.00127 [.000050] MIN. EXT. THK. PER SAE AMS QQ-N-290 OVER Cu FLASH PER SAE AMS 2418.

170°C [338°F]	25	LOOSE PIECE		8-36917-3
260°C [500°F]	50	LOOSE PIECE		36917-1
170°C [338°F]	50	LOOSE PIECE		36917
MAX TEMP RATING	QTY	PACKAGE TYPE	FINISH	PART NO.

<b>AMP INCORPORATED CUSTOMER SERVICE SYSTEMS</b>		MAX RECOMMENDED OPERATING TEMPERATURE: SEE TABLE
FOR ADDITIONAL PRODUCT INFORMATION OR COPIES OF DRAWINGS AND TECHNICAL DOCUMENTS	PRODUCT INFORMATION CENTER 1-800-522-6752	VOLTAGE RATING: N/A
FOR APPLICATION TOOLING INFORMATION	TOOLING ASSISTANCE CENTER 1-800-722-1111	CIRCULAR MIL AREA: 42.4-60.6mm² [83,700-119,500] SOLID OR STRANDED
FOR ORDER ENTRY	1-800-526-5142	THIS DRAWING IS A CONTROLLED DOCUMENT FOR AMP INCORPORATED. IT IS SUBJECT TO CHANGE AND THE CONTROLLING ENGINEERING ORGANIZATION SHOULD BE CONTACTED FOR THE LATEST REVISION.

THIS DRAWING IS A CONTROLLED DOCUMENT.		DWN DK SCHRUM 7/21/91	TE Connectivity	
DIMENSIONS: mm[INCHES]		CHK RD HEIM 8/15/91	NAME	
TOLERANCES UNLESS OTHERWISE SPECIFIED:		APVD AJ KAUFFMAN 8/15/91	PRODUCT SPEC	
0 PLC ± -		APPLICATION SPEC		
1 PLC ± -		SIZE CAGE CODE DRAWING NO RESTRICTED TO		
2 PLC ± 0.20[.008]		A2 00779 C-36917		
3 PLC ± -		WEIGHT -		
4 PLC ± ± -		CUSTOMER DRAWING SCALE 2:1 SHEET 1 OF 1 REV L5		
MATERIAL COPPER ASTM B-152 ANNEALED		FINISH SEE TABLE		