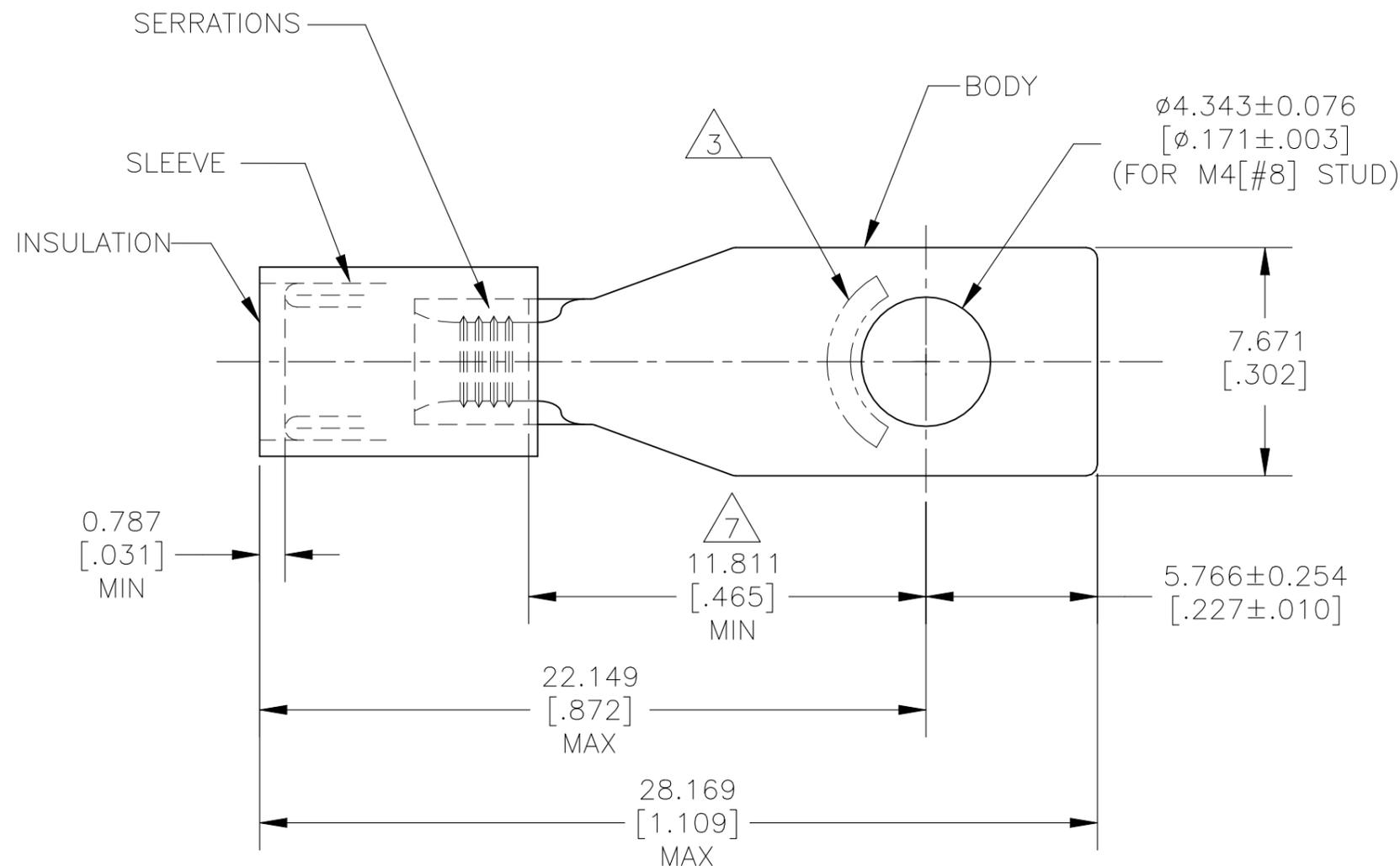


P	LTR	DESCRIPTION	DATE	DWN	APVD
	K5	REVISED PER ECN-22-156403	03JUN2022	RK	CSD

AMP WIRE RANGE	E13288 Listed	LR7189 Certified
22-16 AWG SOLID OR STRANDED	22-16 AWG SOLID OR STRANDED	22-16 AWG SOLID OR STRANDED



- 1 NOTE DELETED.
- 2 BODY MATERIAL THK=0.787±0.051[.031±.002]
- 3 STAMP AMP 22-18* APPROX AS SHOWN. 22-16 TERMINALS ARE STAMPED 22-18 IN ACCORDANCE WITH MILITARY SPEC SAE AS 7928. COMMERCIAL WIRE RANGE IS 22-16.
- 4 MEETS MS17143-7, CLASS 1.
- 5 NOTE DELETED.
- 6 FOR $\phi 2.667[\phi .105]$ TO $\phi 3.556[\phi .140]$ WIRE INS.
- 7 APPLIES FROM EDGE OF METAL WIRE BARREL TO CENTER OF STUD HOLE.
- 8 MATERIAL:
BODY & SLEEVE: COPPER ASTM B-152
INSULATION: NYLON.
- 9 FINISH:
BODY & SLEEVE: TIN PLATED ASTM B-545
INSULATION: COLOR-RED.

1000	LOOSE PIECE	327944	
QTY	PACKAGE TYPE	PART NO	

AMP INCORPORATED
CUSTOMER SERVICE SYSTEMS

THIS DRAWING IS A CONTROLLED DOCUMENT.

DWN	09JUN08
RAGHAVENDRA HM	
CHK	09JUN08
T MICHIELUTTI	
APVD	09JUN08
T MICHIELUTTI	



FOR ADDITIONAL PRODUCT INFORMATION OR COPIES OF DRAWINGS AND TECHNICAL DOCUMENTS	PRODUCT INFORMATION CENTER 1-800-522-6752
FOR APPLICATION TOOLING INFORMATION	TOOLING ASSISTANCE CENTER 1-800-722-1111
FOR ORDER ENTRY	1-800-526-5142

MAX RECOMMENDED OPERATING TEMPERATURE: 105°C[221°F] MAX
VOLTAGE RATING: 300 V MAX
WIRE CROSS SECTIONAL AREA RANGE, 0.26-1.65mm²[509-3,260] SOLID OR STRANDED

DIMENSIONS: mm [INCHES]	TOLERANCES UNLESS OTHERWISE SPECIFIED:
	0 PLC ± -
	1 PLC ± -
	2 PLC ± -
	3 PLC ± 0.127[.005]
	4 PLC ± -
	ANGLES ± 5°
MATERIAL	FINISH

PRODUCT SPEC	UL 486 A-B
APPLICATION SPEC	114-2157
WEIGHT	-
CUSTOMER DRAWING	

NAME WIRE TERMINAL, PIDG, RECTANGULAR TONGUE WIRE SIZE : 22-16 AWG			
SIZE	CAGE CODE	DRAWING NO	RESTRICTED TO
A3	00779	C-327944	-
SCALE 5:1		SHEET 1 OF 1	REV K5