

Chandler, February 2020

## HDMI CONNECTOR CHANGE NOTICE, WITH DATE CODES 20/02 AND LATER

CnC Tech is notifying you that we changed how we are manufacturing our HDMI connectors.

All HDMI connectors are now migrated into the new manufacturing process.

These will continue to mate with the same industry standard parts they have, but there will be some minimal changes in the body of the connectors as well as some slight tolerance changes due to the manufacturing process.

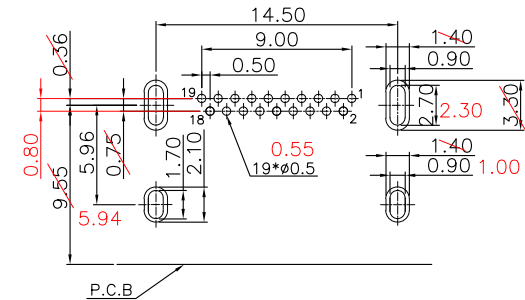
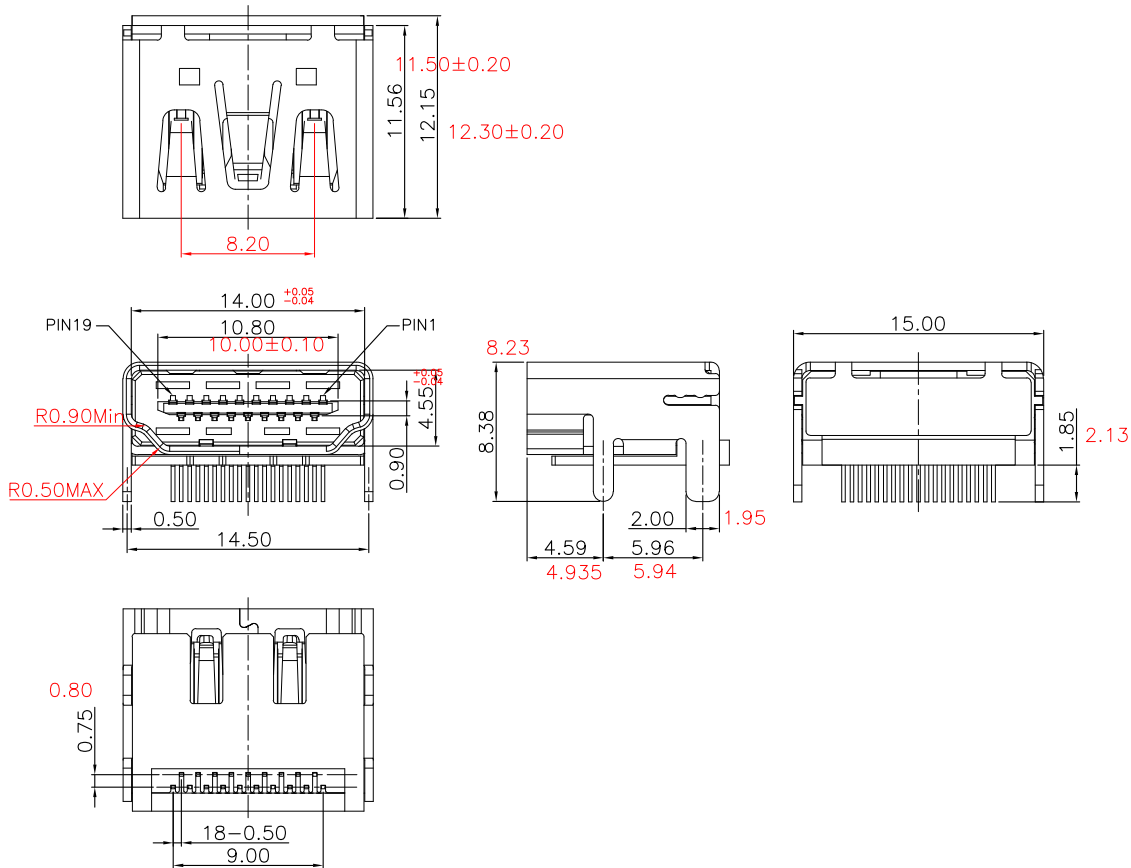
All dimensional and tolerance changes are shown in the comparison drawings placed on our web page.

*H. Meyer*

CnC Tech

Specifications:  
 Current rating:0.5A AC/DC.  
 Voltage rating:40V AC/DC  
 Contact resistance:30m ohm Max.  
 Insulation resistance: 100M ohm. Min.  
 Withstanding voltage:300V AC/minute.  
 Operating temperature range:-20°C~+85°C

Material:  
 Insulator:High Temp. Plastic(UL94V-0)  
 Insulator Color:Black  
 Contact:Copper Alloy  
 Plated:Gold Plated on Contact Area,  
 Tin Plated on Solder Tails.  
 Shell:Steel & Copper Alloy, Nickel Plated  
 Iron Alloy



PCB Layout

Note: Dimension in red represents old dimension

RoHS Compliant

				DRAWN:	GENERAL TOLERANCE: .X=±0.25 .XX=±0.15	<h1 style="text-align: center; color: red;">CnC Tech</h1> <p style="text-align: center;">Industrial Cable and Connector Technology</p>	
				CHECKED:	UNIT: MM		
					SCALE:1:1	HDMI Receptacle R/A Dip Type	SIZE
	05-FEB-2020			APPROVAL:	SHEET: 1 / 1	PART NO:	A4
REV	DATE	FILE	BY		PROJECTION:	2000-1-1-20-00-BK	

A

B

C

D