

EiceDRIVER™ gate driver 1EDI3031AS

Single channel isolated SiC-MOSFET driver



Order now



Technical documents



Simulation



Family overview



Support



RoHS



ISO 26262 compliant

Features

- Single channel isolated SiC driver using coreless transformer technology
- For SiC-MOSFETs up to 1200 V
- CMTI up to 150 V/ns at 1000 V
- 8 kV basic insulation according to VDE V 0884-11:2017-01
- Basic insulation recognized according to UL 1577
- Min. 12 A peak current rail-to-rail output
- Propagation delay 60 ns typical
- Typ. 10 A integrated Active Miller Clamp supports unipolar switching
- ASC pin for PMSM motor drive application
- Integrated safety features to support ASIL B(D):
 - Redundant DESAT and OCP protection
 - Gate and output stage monitoring
 - Shoot-through protection
 - Primary/secondary supply monitoring
 - Internal supervision
- ISO 26262 Safety Element out of Context for safety requirements up to ASIL B
- Green Product (RoHS compliant)



Potential applications

- Traction inverters for HEV and EV
- Auxiliary inverters for HEV and EV
- High power DC/DC converters

Product validation

Qualified for automotive applications. Product validation according to AEC-Q100.

Description

The EiceDRIVER™ gate driver 1EDI3031AS is a high-voltage SiC-MOSFET driver designed for automotive motor drives above 5 kW. The device is based on Infineon's coreless transformer (CT) technology, providing galvanic insulation between low voltage and high voltage domains. The device has been designed to support 400 V, 600 V and 1200 V SiC-MOSFET technologies.

EiceDRIVER™ gate driver 1EDI3031AS

Single channel isolated SiC-MOSFET driver



Description

The device features a high output stage of minimum 12 A peak current. A comprehensive feature set allows advanced protection of the device and the power switch, as well as optimized driver performance and robustness.

The device can be connected on the low voltage side (“primary” side) to 5 V and 3.3 V logic.

On the high voltage side (secondary side), the device is dimensioned to drive the gate of SiC-MOSFETs directly. Short propagation delays and controlled internal tolerances lead to a minimal distortion of the PWM signal. In addition, there is a Miller clamping stage with minimum 12 A integrated, which allows unipolar supply of the SiC-MOSFET.

The device features a secondary side active short circuit pin (ASC) to trigger a safe state for PMSM drive applications and a detailed error diagnosis via a PWM signal.

A large panel of safety related functions supports functional safety requirements at system level as per ISO 26262. Besides, these integrated features ease the implementation of a transition to safe-state.

Type	Package	Marking
1EDI3031AS	PG-DSO-20	1EDI3031AS

Table of contents

	Features	1
	Potential applications	1
	Product validation	1
	Description	1
	Table of contents	3
1	Block diagram	5
2	Pin configuration	6
2.1	Pin definitions and functions	6
3	General product characteristics	8
3.1	Absolute maximum ratings	8
3.2	Functional range	9
3.3	Thermal characteristics	10
3.4	Insulation characteristics	12
4	Operating modes	14
4.1	Operating modes diagram	14
4.2	Operating modes description	14
4.3	Single failure events in Normal_Mode	15
5	Power supply	16
5.1	Bipolar and unipolar supplies	16
5.2	Electrical characteristics power supply	16
6	Switching characteristics	18
6.1	Functional description switching	18
6.2	Electrical characteristics switching	18
7	Protection and monitoring functions	20
7.1	DESAT protection	20
7.2	Over Current Protection (OCP)	22
7.3	Safe turn-off	24
7.4	Shoot Through Protection (STP)	26
7.5	Power supply monitoring	27
7.6	Gate monitoring	29
7.7	Output stage monitoring	31
8	Clamping functions	35
8.1	Active Miller clamp	35
8.2	Passive clamping	36
9	Active Short Circuit (ASC)	37
9.1	Functional description ASC	37

Table of contents

9.2	Electrical characteristics ASC	38
10	Interface	40
10.1	Reset (NRST)	40
10.2	Ready (RDY)	40
10.3	Fault (NFLT)	41
10.4	I/O levels	42
10.5	DATA read-out	42
11	Application information	45
11.1	Electrical characteristics external components	45
11.2	Typical application example	46
12	Package information	47
	Revision history	48
	Disclaimer	49

1 Block diagram

1 Block diagram

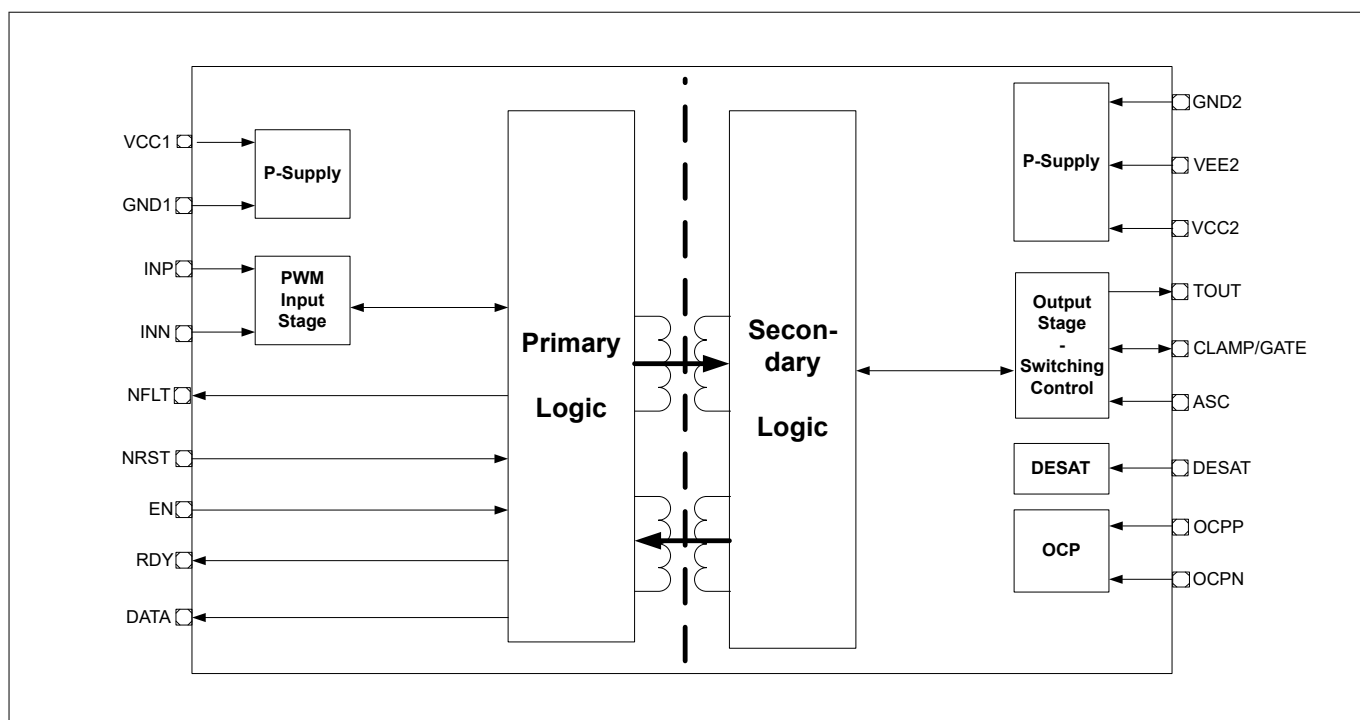


Figure 1 Block diagram

2 Pin configuration

2 Pin configuration

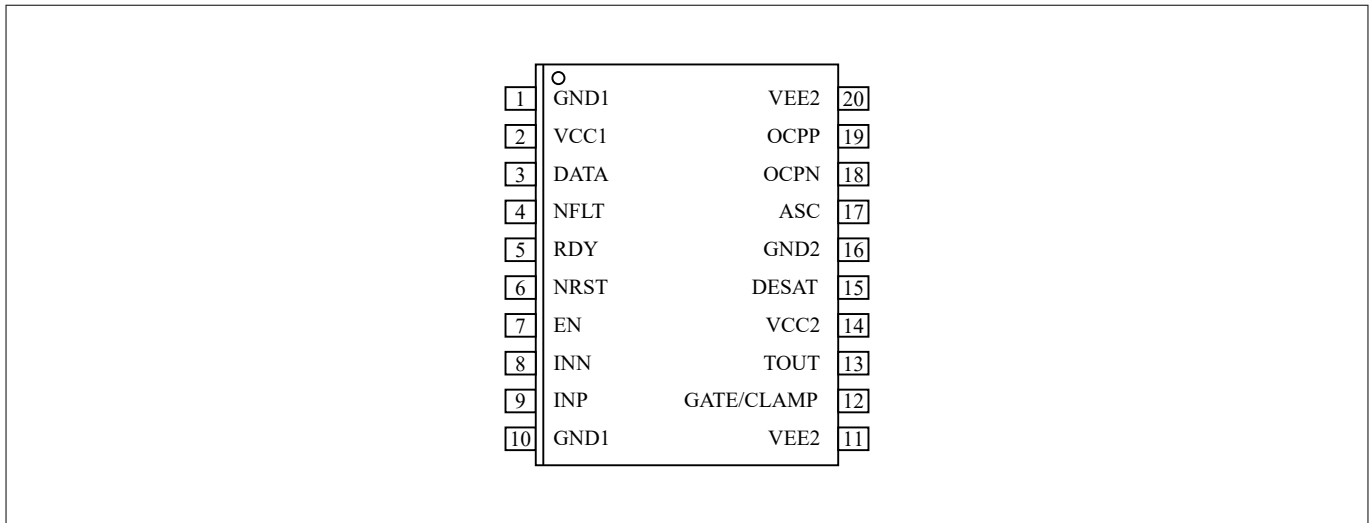


Figure 2 Pin assignment

2.1 Pin definitions and functions

Table 1 Pin definition and functions

Pin #	Pin name	I/O	Voltage class	Function
1	GND1	Ground	Primary ground	Ground connection for the primary side.
2	VCC1	Supply	Primary supply	5 V/3.3 V power supply for the primary side (referring to GND1).
3	DATA	Output	5 V primary	The data pin is used for ADC or diagnosis data. This pin is a push-pull output which is driving a PWM signal according to the data.
4	NFLT	Output	5 V primary	The fault open-drain signal is used to report failure events triggered by DESAT or OCP protection. As a result the pin is driven to low. This pin has to be connected externally to VCC1 with a pull-up resistance.
5	RDY	Output	5 V primary	The ready open-drain signal is used to report failure events like UVLO1, UVLO2, OVLO2, Life Sign Lost, Output Stage Error, Gate Monitoring Error, etc. As a result this pin is driven to low. This pin has to be connected externally to VCC1 with a pull-up resistance.
6	NRST	Input	5 V primary	The reset signal is used to clear the failure/fault events which triggered RDY or NFLT active low. The signal is clearing an error on rising edge. An internal pull-down resistance is driving this pin to low state in case the pin is floating.
7	EN	Input	5 V primary	The enable signal allows the logic on the primary side to enable or disable the device. The logic levels are according

(table continues...)

2 Pin configuration

Table 1 (continued) Pin definition and functions

Pin #	Pin name	I/O	Voltage class	Function
				to the used power supply. An internal weak pull-down resistance is disabling the device in case the pin is floating.
8	INN	Input	5 V primary	The inverting PWM signal is used for monitoring for shoot through protection. An internal weak pull-up resistor to VCC1 drives this input to high state in case the pin is floating.
9	INP	Input	5 V primary	The non-inverting PWM signal of the driver. An internal weak pull-down resistor to GND1 drives this input to low state in case the pin is floating.
10	GND1	Ground	Primary ground	Ground connection for the primary side.
11	VEE2	Supply	Secondary supply	Negative power supply for the secondary side (referring to GND2).
12	GATE/ CLAMP	Input/ Output	15 V secondary	The gate monitoring and clamp signal is monitoring the gate of the power switch and clamping the gate to VEE2 if the threshold VCLAMP is reached.
13	TOUT	Output	15 V secondary	The transistor drive voltage signal switches the power switch gate to VCC2 or VEE2, according to the PWM input.
14	VCC2	Supply	Secondary supply	Positive power supply for the secondary side (referring to GND2).
15	DESAT	Input	15 V secondary	The desaturation protection signal monitors the voltage across the power switch. An internal current source to VCC2 drives this signal to high level in case it is floating.
16	GND2	Ground	Secondary ground	Reference ground for the secondary side.
17	ASC	Input	15V secondary	The ASC signal is used to switch the gate of the power switch on. This signal has higher priority as PWM and will overrule other inputs. If a Soft-Turn-Off is in progress this signal will not stop the turn-off, it will be delayed until after the soft-turn-off is finished.
18	OCPN	Input	5 V secondary	The negative over current protection signal is differential therefore it should be always close to OCPP signal. A common-mode filter should be applied to the OCPP signal.
19	OCPP	Input	5 V secondary	The positive over current protection signal is differential therefore it should be always close to OCPN signal. A common-mode filter should be applied to the OCPN signal. An internal weak pull-up resistor drives this input to high state in case the pin is floating.
20	VEE2	Supply	Secondary supply	Negative power supply for the secondary side (referring to GND2).

3 General product characteristics

3 General product characteristics

3.1 Absolute maximum ratings

Table 2 Absolute maximum ratings

$T_J = -40^{\circ}\text{C}$ to 150°C ; all voltages with respect to ground, pos. current flowing into pin (unless otherwise specified). Absolute maximum ratings are defined as ratings which when being exceeded may lead to destruction of the integrated circuit. Absolute maximum ratings are not subject to production test, specified by design.

Parameter	Symbol	Values			Unit	Note or condition	P-Number
		Min.	Typ.	Max.			
Positive power supply (primary)	V_{VCC1_MAX}	-0.3	–	7	V	Referenced to GND1	PRQ-560
Positive power supply (secondary)	V_{VCC2_MAX}	-0.3	–	30	V	Referenced to GND2	PRQ-561
Negative power supply (secondary)	V_{VEE2_MAX}	-13	–	0.3	V	Referenced to GND2	PRQ-562
Power supply voltage difference (secondary) VCC2-VEE2	$V_{VCC2-VEE2_MAX}$	–	–	40	V		PRQ-563
Voltages on any I/O pin on primary side (INP, INN, NRST, DATA, RDY, NFLT, EN)	V_{INX_MAX}	-0.3	–	$V_{VCC1} + 0.3$	V	Referenced to GND1	PRQ-564
ASC voltage	V_{ASC_MAX}	-0.3	–	$V_{CC2} + 0.3$	V	Referenced to GND2	PRQ-565
DESAT voltage	V_{DESAT_MAX}	-0.3	–	$V_{VCC2} + 0.3$	V	Referenced to GND2	PRQ-566
OCP	V_{OCP_MAX}	-2.8	–	2.8	V	Referenced to GND2	PRQ-788
OCPN	V_{OCPN_MAX}	-2.8	–	2.8	V	Referenced to GND2	PRQ-831
Maximum Clamp/gate voltage	$V_{Clamp/Gate_MAX}$	$V_{VEE2} - 0.3$	–	$V_{VCC2} + 0.3$	V	Referenced to GND2	PRQ-567
TOUT voltage	V_{OUT_MAX}	$V_{VEE2} - 0.3$	–	$V_{VCC2} + 0.3$	V	Referenced to GND2	PRQ-568

(table continues...)

3 General product characteristics

Table 2 (continued) Absolute maximum ratings

$T_J = -40^{\circ}\text{C}$ to 150°C ; all voltages with respect to ground, pos. current flowing into pin (unless otherwise specified). Absolute maximum ratings are defined as ratings which when being exceeded may lead to destruction of the integrated circuit. Absolute maximum ratings are not subject to production test, specified by design.

Parameter	Symbol	Values			Unit	Note or condition	P-Number
		Min.	Typ.	Max.			
TOUT high output maximum current	$I_{\text{OUTH_MAX}}$	-15	-	-	A	$t_{\text{MAX}} = 1.5 \mu\text{s}$, non-repetitive	PRQ-569
TOUT low output maximum current	$I_{\text{OUTL_MAX}}$	-	-	15	A	$t_{\text{MAX}} = 1.5 \mu\text{s}$, non-repetitive	PRQ-570
Gate/Clamp low maximum output current	$I_{\text{Gate/Clamp_Max}}$	-	-	15	A	$t_{\text{MAX}} = 1.5 \mu\text{s}$, non-repetitive	PRQ-848
Current on output logic pins (DATA, RDY, NFLT)	$ I_{\text{OUTx_MAX}} $	-	-	10	mA		PRQ-572
ESD immunity	$V_{\text{ESD_HBM}}$	-2	-	2	kV	HBM according to AEC Q100-002, CDM according to AEC Q100-011	PRQ-573
Storage temperature	$T_{\text{s_MAX}}$	-55	-	150	$^{\circ}\text{C}$		PRQ-575
Junction temperature	$T_{\text{J_MAX}}$	-40	-	150	$^{\circ}\text{C}$		PRQ-790

3.2 Functional range

Table 3 Functional range

$T_J = -40^{\circ}\text{C}$ to 150°C ; all voltages with respect to ground, pos. current flowing into pin (unless otherwise specified).

Parameter	Symbol	Values			Unit	Note or condition	P-Number
		Min.	Typ.	Max.			
Positive power supply (primary)	V_{VCC1}	3	-	5.5	V	Referenced to GND1	PRQ-579
VCC1 ramp-up slew-rate	t_{RP1}	-	-	2000	V/ms		PRQ-797

(table continues...)

3 General product characteristics

Table 3 (continued) Functional range

$T_J = -40^{\circ}\text{C}$ to 150°C ; all voltages with respect to ground, pos. current flowing into pin (unless otherwise specified).

Parameter	Symbol	Values			Unit	Note or condition	P-Number
		Min.	Typ.	Max.			
Positive power supply SiC (secondary)	V_{VCC2}	14.5	15	18.7	V	Referenced to GND2	PRQ-1012
VCC2 ramp-up slew-rate	t_{RP2}	0.65 0	-	1000	V/ms		PRQ-798
Negative power supply (secondary)	V_{VEE2}	-11.5	-5	0	V	Referenced to GND2	PRQ-581
VEE2 ramp-up slew-rate	t_{RP3}	-0.10 0	-	-100 0	V/ms		PRQ-799
Power supply voltage difference (secondary) VCC2-VEE2	$V_{VCC2-VEE2}$	-	-	25	V		PRQ-582
Junction temperature	T_J	-40	-	150	$^{\circ}\text{C}$		PRQ-588
Common mode transient immunity	dV_{ISO}/dt	-150	-	150	kV/ μs	For voltages up to 1000 V	PRQ-589
Voltages on any I/O pin on primary side (INP, INN, NRST, DATA, RDY, NFLT)	V_{INx}	0	-	V_{VCC1}	V	Referenced to GND1	PRQ-583

3.3 Thermal characteristics

The thermal capability of the device is depending on the used power module. The following formula and parameters can be used to calculate the maximum switching frequency for a dedicated power module:

$$f_{SW} = \frac{P_{SW} \cdot (R_{DSON-OSLN} + R_g)}{(V_{VCC2} - V_{VEE2})^2 \cdot C_{Gate} \cdot R_{DSON-OSLN}}$$

Figure 3 Formula to calculate the maximum switching frequency in application

3 General product characteristics

Where the maximum switching losses are $P_{SW} = P_{DIS2} - P_{IDLE_sec}$, R_g is the external gate resistor, C_{Gate} is the maximum gate charge of the power switch, and $R_{DS(on)-OSLN}$ is the internal gate resistor.

Note: This formula is only valid if ON/OFF resistors have the same value.

3.3.1 Thermal characteristics parameters

Table 4 Thermal characteristics parameters

$T_J = -40^\circ\text{C}$ to 150°C ; all voltages with respect to ground, pos. current flowing into pin (unless otherwise specified).

Parameter	Symbol	Values			Unit	Note or condition	P-Number
		Min.	Typ.	Max.			
Power Dissipation - Primary Chip	P_{DIS1}	–	40	–	mW	$T_{AMB} = 25^\circ\text{C}$, $V_{VCC1} = 5\text{ V}$, PWM duty cycle = 50%, Normal_Mode, no C_{LOAD} , no R_{LOAD} on TOUT, average value (peak current neglected)	PRQ-946
Power Dissipation - Secondary Chip	P_{DIS2}	–	300	–	mW	$T_{AMB} = 25^\circ\text{C}$, $V_{VCC2} = \text{typ.}$, $V_{VEE2} = \text{typ.}$, PWM duty cycle = 50%, Normal_Mode, no C_{LOAD} , no R_{LOAD} on TOUT, average value (peak current neglected)	PRQ-947
Switching frequency	f_{SW}	–	25	430	kHz	$V_{VCC2} = 18\text{ V}$, $V_{VEE2} = -5\text{ V}$, $C_{Gate} = 9\text{ nF}$, $R_g = 6\ \Omega$, $T_{AMB} = 25^\circ\text{C}$	PRQ-839
Thermal Resistance Junction to Ambient (25°C)	R_{THJA}	–	85	–	K/W	$T_{amb} = 25^\circ\text{C}$	PRQ-932
Thermal Resistance Junction to Ambient (125°C)	$R_{THJA,125}$	–	71	–	K/W	$T_{AMB} = 125^\circ\text{C}$	PRQ-975
Thermal Resistance Junction to Case (bottom)	$R_{THJCBOT}$	–	60	–	K/W	$T_{amb} = 25^\circ\text{C}$	PRQ-933
Thermal Resistance Junction to Case (top)	$R_{THJCTOP}$	–	52	–	K/W	$T_{amb} = 25^\circ\text{C}$	PRQ-934
Thermal Resistance Junction to Board (25°C)	$R_{THJBOARD}$	–	45.4	–	K/W	$T_{amb} = 25^\circ\text{C}$, power losses on secondary side $\leq 500\text{ mW}$, power losses on primary side $\leq 50\text{ mW}$	PRQ-1031

(table continues...)

3 General product characteristics

Table 4 (continued) Thermal characteristics parameters

$T_J = -40^\circ\text{C}$ to 150°C ; all voltages with respect to ground, pos. current flowing into pin (unless otherwise specified).

Parameter	Symbol	Values			Unit	Note or condition	P-Number
		Min.	Typ.	Max.			
Ψ - Pseudo Thermal Resistance Junction to Case (top)	R_{PSIJT}	–	21	–	K/W	$T_{\text{amb}} = 25^\circ\text{C}$	PRQ-935

Note: This thermal data was generated in accordance with JEDEC JESD51 standards. For more information, go to www.jedec.org.

3.4 Insulation characteristics

Table 5 Insulation characteristics for reinforced and basic insulation in compliance with DIN VDE V 0884-11:2017-01. Input to output test conditions according to method a) and b) follow the more stringent requirements as of reinforced insulation.

Description	Symbol	Value	Unit
Installation classification per IEC 60664-1, Table F.1 for rated mains voltage $\leq 150 V_{\text{RMS}}$ for rated mains voltage $\leq 300 V_{\text{RMS}}$ for rated mains voltage $\leq 600 V_{\text{RMS}}$ for rated mains voltage $\leq 1000 V_{\text{RMS}}$		– I-IV I-IV I-III (IV for basic) I-II (III for basic)	–
Climatic classification		40/125/21	–
Pollution degree (IEC 60664-1)		2	–
Minimum external creepage	CPG	8	mm
Minimum external clearance	CLR	8	mm
Minimum comparative tracking index	CTI	400	–
Maximum repetitive insulation voltage	$V_{\text{IORM,reinforced}}$ $V_{\text{IORM,basic}}$	1767 1420	V_{PEAK}
Maximum rated transient insulation voltage	V_{IOTM}	8000	V_{PEAK}
Maximum surge insulation voltage for reinforced insulation Test voltage in subgroup #1 = $1.6 * V_{\text{IOSM,reinforced}} = 11\text{kV}$	$V_{\text{IOSM,reinforced}}$	6875	V_{PEAK}
Maximum surge insulation voltage for basic insulation Test voltage in subgroup #1 = $1.3 * V_{\text{IOSM,basic}} = 10.4\text{kV}$	$V_{\text{IOSM,basic}}$	8000	V_{PEAK}
Input to output test voltage, method b) $V_{\text{ini,b}} = 1.2 * V_{\text{iotm}}, V_{\text{pd(m)}} = V_{\text{ior,reinforced}} * 1.875$, 100% production test with $t_{\text{ini,b}} = 1 \text{ s}$	q_{pd}	< 5	pC

(table continues...)

3 General product characteristics

Table 5 (continued) **Insulation characteristics for reinforced and basic insulation in compliance with DIN VDE V 0884-11:2017-01. Input to output test conditions according to method a) and b) follow the more stringent requirements as of reinforced insulation.**

Description	Symbol	Value	Unit
Input to output test voltage, method a) $V_{ini,a} = V_{iotm}, V_{pd(m)} = V_{iorm, reinforced} * 1.6$, sample test with $t_{ini,a} = 60$ s	q_{pd}	< 5	pC
Insulation resistance at $100\text{ °C} \leq T_{amb} \leq 125\text{ °C}$, $V_{io} = 500$ V	R_{IO}	$>10^{12}$	Ω
Insulation resistance at $T_S = 150\text{ °C}$, $V_{io} = 500$ V	R_{IO_S}	$>10^9$	Ω

Table 6 **Insulation characteristics recognized according to UL 1577**

Parameter	Symbol	Characteristic	Unit
Insulation withstand voltage / 1 min	V_{ISO}	5700	V(rms)
Insulation test voltage / 1 s	V_{ISO}	6000	V(rms)

Note: The insulation characteristics only apply when the device is operated within the safety limits given by the absolute maximum ratings.

4 Operating modes

4 Operating modes

4.1 Operating modes diagram

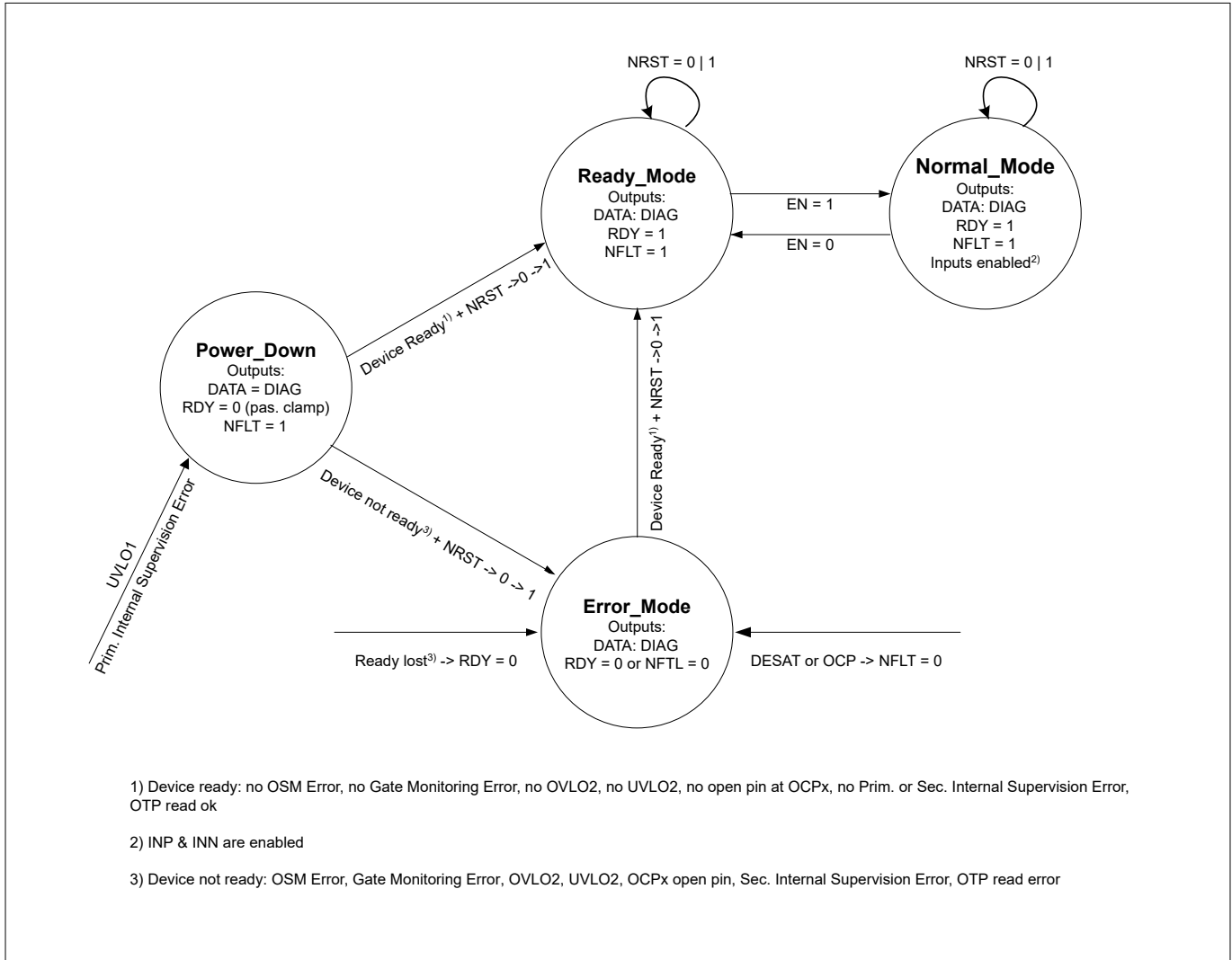


Figure 4 Operating modes state diagram

- Note:
- Life sign lost will be detected only if communication has been established once.
 - External pull-up required on RDY and NFLT (open drain output)

4.2 Operating modes description

Reset

If the NRST signal is low the device keeps its operating mode (no influence on PWM). Further the rising edge on NRST signal will reset the failure/fault event memory.

Power Down and Start up

The device is in Power_Down_Mode at start-up or if an UVLO1 error occurs. In both cases it will not operate. If the device is partly supplied (e.g. VCC1 only) the device will enter Error_Mode. Therefore supplies should rise within the specified slew rates to a valid voltage level according to given operating conditions. Afterwards a rising edge on NRST will bring the device into Ready_Mode (no Failure or Fault Event occurred).

4 Operating modes

Mode Transitions

Once in Ready_Mode the change to Normal_Mode can be done with setting EN signal to "high level" (voltage level differs with VCC1 level), changing it to "low level" is also the returning into Ready_Mode. The transition into Error_Mode can only be done with the according events which are:

- OCP event
- DESAT event
- UVLO2 event
- OVLO2 event
- Sec. Internal Supervision Error
- Output Stage Monitor Error
- Gate Monitoring Error
- OCPx pin open
- OTP read error

Error_Mode

In Error_Mode diagnosis information is available on the DATA pin. This diagnosis information states details about the failure root cause.

A rising edge on NRST and no failure or fault active will transition the device back to Ready_Mode (or to Normal_Mode if signal EN is set). In Ready_Mode diagnosis information is available on the DATA pin, in Normal_Mode the DATA pin output is zero. See also the operating modes diagram for further information.

4.3 Single failure events in Normal_Mode

Table 7 Single failure events in Normal_Mode

Failure Event	Output stage reaction	Resulting pin status changes
DESAT when TOUT = high (VCC2)	Safe turn-off	NFLT = 0; DATA: DIAG
OCP when TOUT = high (VCC2)	Safe turn-off	NFLT = 0; DATA: DIAG
Gate monitoring error	Safe turn-off when TOUT = high (VCC2)	RDY = 0; DATA: DIAG
OSM error	Tri-state	RDY = 0; DATA: DIAG
UVLO2	Normal switch-off	RDY = 0; DATA: DIAG
OVLO2	Normal switch-off	RDY = 0; DATA: DIAG
UVLO1	Normal switch-off	RDY = 0; DATA = 0
Prim. internal supervision error	Normal switch-off	RDY = 0; DATA = 0
Sec. internal supervision error	Normal switch-off	RDY = 0; DATA: DIAG
OCPx pin open	Normal switch-off	RDY = 0; DATA: DIAG

5 Power supply

5 Power supply

5.1 Bipolar and unipolar supplies

The device is designed to support two different supply configurations, bipolar supply and unipolar supply.

Note: In bipolar supply the driver is typically supplied with a positive voltage of 15 V at VCC2 and a negative voltage of -5 V at VEE2 (referenced to GND2). The negative supply prevents a dynamic turn on due to the additional charge which is generated from the input capacitance current of the power switch times the negative supply voltage. GATE/CLAMP has to be connected to the gate of the power switch in all power supply configurations.

5.2 Electrical characteristics power supply

Table 8 Electrical characteristics power supply

$T_J = -40^{\circ}\text{C}$ to 150°C ; all voltages with respect to ground, pos. current flowing into pin (unless otherwise specified).

Parameter	Symbol	Values			Unit	Note or condition	P-Number
		Min.	Typ.	Max.			
Quiescent Current Input Chip (VCC1)	I_{QVCC1}	3	5	-	mA	Ready_Mode, all primary I/Os without impact on Ready_Mode open, $V_{VCC1} = 5\text{ V}$, $V_{VCC2} = 15\text{ V}$, $V_{VEE2} = -5\text{ V}$	PRQ-937
Operating Current VCC1 (TOUT = high (VCC2))	I_{QPVC1_ON}	-	10	12	mA	Normal_Mode, INN = 0, INP = 1, EN = 1, NRST = 1, outputs open, $V_{VCC1} = 5\text{ V}$, $V_{VCC2} = 15\text{ V}$, $V_{VEE2} = -5\text{ V}$	PRQ-938
Operating Current VCC1 (TOUT = low (VEE2))	I_{OPVC1_OFF}	-	5.5	7	mA	Normal_Mode, INN = 0, INP = 0, EN = 1, NRST = 1, outputs open, $V_{VCC1} = 5\text{ V}$, $V_{VCC2} = 15\text{ V}$, $V_{VEE2} = -5\text{ V}$	PRQ-939
Operating Current VCC2 (TOUT = high (VCC2))	I_{OPVC2_ON}	-	10.5	12.5	mA	Normal_Mode, INN = 0, INP = 1, EN = 1, NRST = 1, primary outputs open, OCPx = 0, DESAT = 0, Gate shorted to TOUT, $V_{VCC1} = 5\text{ V}$, $V_{VCC2} = 15\text{ V}$, $V_{VEE2} = -5\text{ V}$, other pins open	PRQ-941
Operating Current VCC2 (TOUT = low (VEE2))	I_{OPVC2_OFF}	6	10.5	12	mA	Normal_Mode, INN = 0, INP = 0, EN = 1, NRST = 1, primary outputs open, OCPx = 0, DESAT = 0, Gate shorted to TOUT, $V_{VCC1} = 5\text{ V}$, $V_{VCC2} = 15\text{ V}$, $V_{VEE2} = -5\text{ V}$, other pins open	PRQ-942
Operating Current VEE2 (TOUT = high (VCC2))	I_{OPVEE2_ON}	-	1.5	2	mA	Normal_Mode, INN = 0, INP = 1, EN = 1, NRST = 1, primary outputs open, OCPx = 0, DESAT = 0, Gate shorted to TOUT, $V_{VCC1} = 5\text{ V}$, $V_{VCC2} = 15\text{ V}$, $V_{VEE2} = -5\text{ V}$, other pins open	PRQ-944
Operating Current VEE2	I_{OPVEE2_OFF}	0.5	1.5	2	mA	Normal_Mode, INN = 0, INP = 0, EN = 1, NRST = 1, primary outputs open, OCPx = 0,	PRQ-945

(table continues...)

5 Power supply

Table 8 (continued) Electrical characteristics power supply

$T_J = -40^{\circ}\text{C}$ to 150°C ; all voltages with respect to ground, pos. current flowing into pin (unless otherwise specified).

Parameter	Symbol	Values			Unit	Note or condition	P-Number
		Min.	Typ.	Max.			
(TOUT = low (VEE2))						DESAT = 0, Gate shorted to TOUT, $V_{VCC1} = 5\text{ V}$, $V_{VCC2} = 15\text{ V}$, $V_{VEE2} = -5\text{ V}$, other pins open	

6 Switching characteristics

6 Switching characteristics

6.1 Functional description switching

The voltage on pin TOUT ranges from V_{VEE2} to V_{VCC2} (referenced to GND2).

The device supports short propagation delay for On and Off switching of t_{PDON} and t_{PDOFF} .

6.2 Electrical characteristics switching

Table 9 Electrical characteristics switching

$T_J = -40^\circ\text{C}$ to 150°C ; all voltages with respect to ground, pos. current flowing into pin (unless otherwise specified).

Parameter	Symbol	Values			Unit	Note or condition	P-Number
		Min.	Typ.	Max.			
High level output peak current	I_{OUTH}			- 12	A	INP = V_{VCC1} , INN = V_{GND1} , EN = V_{VCC1} , TOUT = V_{VCC2} , CLAMP/GATE = V_{VEE2} , $V_{VCC2} = 15\text{ V}$, $V_{VEE2} = -5\text{ V}$, $C_{LOAD} = 200\text{ nF}$	PRQ-662
Low level output peak current	I_{OUTL}	12			A	INP = V_{GND1} , INN = V_{GND1} , EN = V_{VCC1} , TOUT = V_{VEE2} , CLAMP/GATE = V_{VCC2} , $V_{VCC2} = 15\text{ V}$, $V_{VEE2} = -5\text{ V}$, $C_{LOAD} = 200\text{ nF}$	PRQ-663
Propagation delay - On	t_{PDON}	40	60	120	ns	$V_{CC1} = \text{typ.}$, $V_{CC2} = \text{typ.}$, $V_{EE2} = \text{typ.}$, Start: INP rising edge at $V_{\text{digital,input(high)}}$, Stop: TOUT rising edge at $V_{VEE2} + 1.5\text{ V}$, no load, no gate resistance	PRQ-770
Propagation delay - Off	t_{PDOFF}	40	60	120	ns	$V_{CC1} = \text{typ.}$, $V_{CC2} = \text{typ.}$, $V_{EE2} = \text{typ.}$, Start: INP falling edge at $V_{\text{digital,input(low)}}$, Stop: TOUT falling edge at $V_{VCC2} - 1.5\text{ V}$, no load, no gate resistance	PRQ-851
Propagation delay distortion	$t_{\text{Prop,dis}}$	-20	-	20	ns	$t_{PDON} - t_{PDOFF}$, t_{PDON} & t_{PDOFF} measured @ same T_{JUNC}	PRQ-803
Propagation delay EN to turn-on (INP = high)	t_{PDENON}	10	60	120	ns	$V_{VCC1} = \text{typ.}$; $V_{VCC2} = \text{typ.}$, $V_{VEE2} = \text{typ.}$, INP = high, INN = GND1, TOUT = $V_{VEE2} + 1.5\text{ V}$, referring to VEE2 (rising edge)	PRQ-968
Propagation delay EN to turn-off (INP = high)	$t_{PDENOFF}$	10	60	120	ns	$V_{VCC1} = \text{typ.}$, $V_{VCC2} = \text{typ.}$, $V_{VEE2} = \text{typ.}$, INP = high, INN = GND1, TOUT = $V_{VCC2} - 1.5\text{ V}$ referring to VEE2 (falling edge)	PRQ-967
TOUT rise time 90 %	t_{Rise1}	-	-	55	ns	no C_{LOAD} , no R_{LOAD} , $V_{VCC2} = \text{typ.}$, $V_{VEE2} = \text{typ.}$, $V_{TOUT} = V_{VEE2} + 1.5\text{ V}$ to $V_{TOUT} = V_{VCC2} - 1.5\text{ V}$	PRQ-801
TOUT rise time 70 %	t_{Rise2}	-	-	35	ns	no C_{LOAD} , no R_{LOAD} , $V_{VCC2} = \text{typ.}$, $V_{VEE2} = \text{typ.}$, $V_{TOUT} = V_{VEE2} + 1.5\text{ V}$ to $V_{TOUT} = V_{VCC2} - 6\text{ V}$	PRQ-958

(table continues...)

6 Switching characteristics

Table 9 (continued) Electrical characteristics switching

$T_J = -40^{\circ}\text{C}$ to 150°C ; all voltages with respect to ground, pos. current flowing into pin (unless otherwise specified).

Parameter	Symbol	Values			Unit	Note or condition	P-Number
		Min.	Typ.	Max.			
Fall time	t_{Fall}	–	–	45	ns	No C_{LOAD} , no R_{LOAD} , $V_{\text{VCC2}} = \text{typ.}$, $V_{\text{VEE2}} = \text{typ.}$, $V_{\text{TOUT}} = V_{\text{VCC2}} - 1.5 \text{ V}$ to $V_{\text{TOUT}} = V_{\text{VEE2}} + 1.5 \text{ V}$	PRQ-802
TOUT RDSON High-side	$R_{\text{DS(on)-OSHN}}$		0.30		Ω	N-MOS, tolerances according to $R_{\text{DS(on)-OSLN}}$	PRQ-1032
TOUT RDSON High-side P&N	$R_{\text{DS(on)-OSHtot}}$	0.3	–	1	Ω	N-MOS and P-MOS, voltage drop $V_{\text{VCC2}} - V_{\text{TOUT}} < 1 \text{ V}$	PRQ-849
TOUT RDSON Low-side	$R_{\text{DS(on)-OSLN}}$	0.07	–	0.35	Ω	N-MOS, voltage drop $V_{\text{TOUT}} - V_{\text{VEE2}} < 1 \text{ V}$	PRQ-850

Note: The defined minimum/maximum value of I_{OUTx} is the minimum current which the device delivers under the given conditions. In general the device is capable to deliver higher output currents than the defined minimum/maximum. The maximum output current needs to be limited by an external gate resistor to stay inside the defined absolute maximum rating parameters regarding maximum peak current (equivalent energy needs to be considered) and maximum junction temperature.

7 Protection and monitoring functions

7 Protection and monitoring functions

7.1 DESAT protection

7.1.1 Functional description DESAT protection

The device monitors the voltage across the power switch when TOUT = high(VCC2), after the DESAT blanking time is elapsed. If the corresponding reference level (V_{DESATX}) is reached, it issues a safe turn-off within $t_{DESAT2OFF}$, then changes into Error_Mode and signals a NFLT low in t_{NFLT_DESAT} .

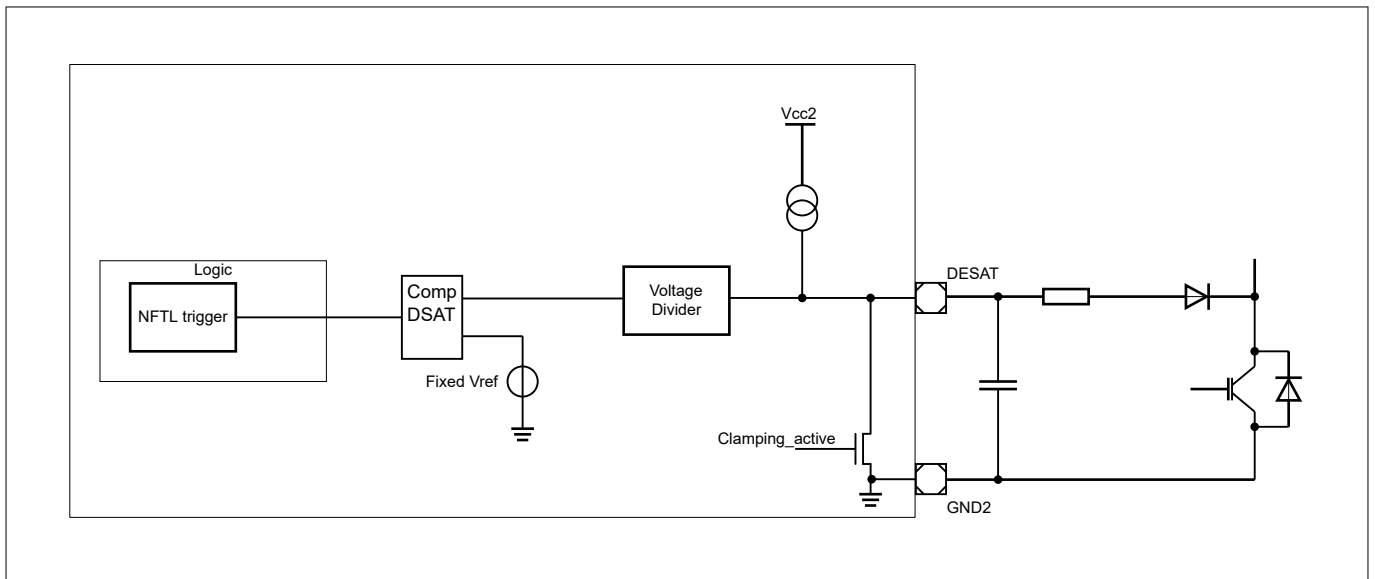


Figure 5 DESAT diagram of principal functionality

The DESAT pin has an internal clamping which clamps DESAT to V_{DESATL} in case TOUT = low (VEE2), TOUT = $V_{SOFFPLT}$ or in case of OSM (tristate).

7 Protection and monitoring functions

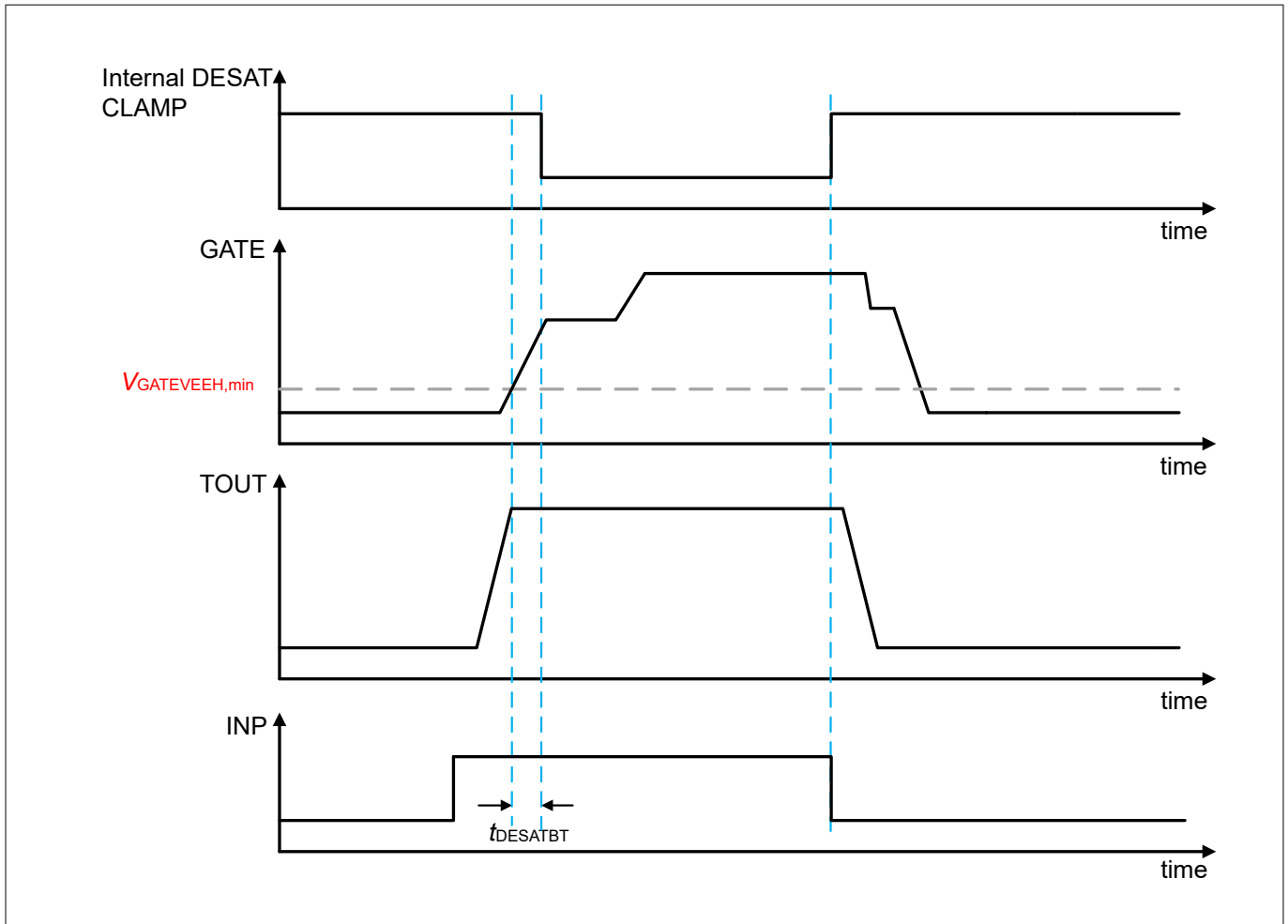


Figure 6 DESAT clamping and blanking timing diagram

7.1.2 Electrical characteristics DESAT protection

Table 10 Electrical characteristics DESAT protection

$T_J = -40^{\circ}\text{C}$ to 150°C ; all voltages with respect to ground, pos. current flowing into pin (unless otherwise specified).

Parameter	Symbol	Values			Unit	Note or condition	P-Number
		Min.	Typ.	Max.			
DESAT reference level	V_{DESAT2}	5.7	6	6.3	V	$V_{CC2} = \text{typ.}, V_{EE2} = \text{typ.}$	PRQ-990
DESAT current source	$I_{DESATCS}$	-550	-500	-450	μA	$V_{CC2} = \text{typ.}, V_{EE2} = \text{typ.}, V_{DESAT} \leq 10\text{ V}$	PRQ-800
DESAT low voltage	V_{DESATL}	0	200	300	mV	Referenced to GND2, DESAT clamping enabled, $I_{\text{sink}} = 5\text{ mA}$	PRQ-693

(table continues...)

7 Protection and monitoring functions

Table 10 (continued) Electrical characteristics DESAT protection

$T_J = -40^{\circ}\text{C}$ to 150°C ; all voltages with respect to ground, pos. current flowing into pin (unless otherwise specified).

Parameter	Symbol	Values			Unit	Note or condition	P-Number
		Min.	Typ.	Max.			
DESAT detection & reaction time	$t_{\text{DESAT2OFF}}$	100	300	400	ns	$V_{\text{DESAT_Overdrive}} = 2\text{ V}$, Slew rate @ DESAT = $10\text{ V}/\mu\text{s}$; TOUT = $V_{\text{VCC2}} - 1.5\text{ V}$, after DESAT blanking time elapsed, $C_{\text{LOAD_TOUT}} = \text{no load}$, no resistive load	PRQ-841
DESAT blanking time	t_{DESATBT}	120	320	400	ns	From V_{GATEVEEH} to release of clamping (Desat pin voltage rising above 0.5 V , with internal current source, no external C_{DESAT}), no $C_{\text{Load}}/R_{\text{Load}}$ on TOUT	PRQ-969
DESAT input voltage range	V_{DESAT}	0	–	V_{VCC2}	V	Referenced to GND2	PRQ-690

7.2 Over Current Protection (OCP)

7.2.1 Functional description OCP protection

The device monitors the voltage difference between OCPP and OCPN when TOUT = high (V_{CC2}) after the OCP blanking time is elapsed. If the corresponding reference level (V_{OCPDx}) is reached, it issues a safe turn-off within t_{OCP2OFF} , then changes into Error_Mode and signals a NFLT low in $t_{\text{NFLT_OCP}}$.

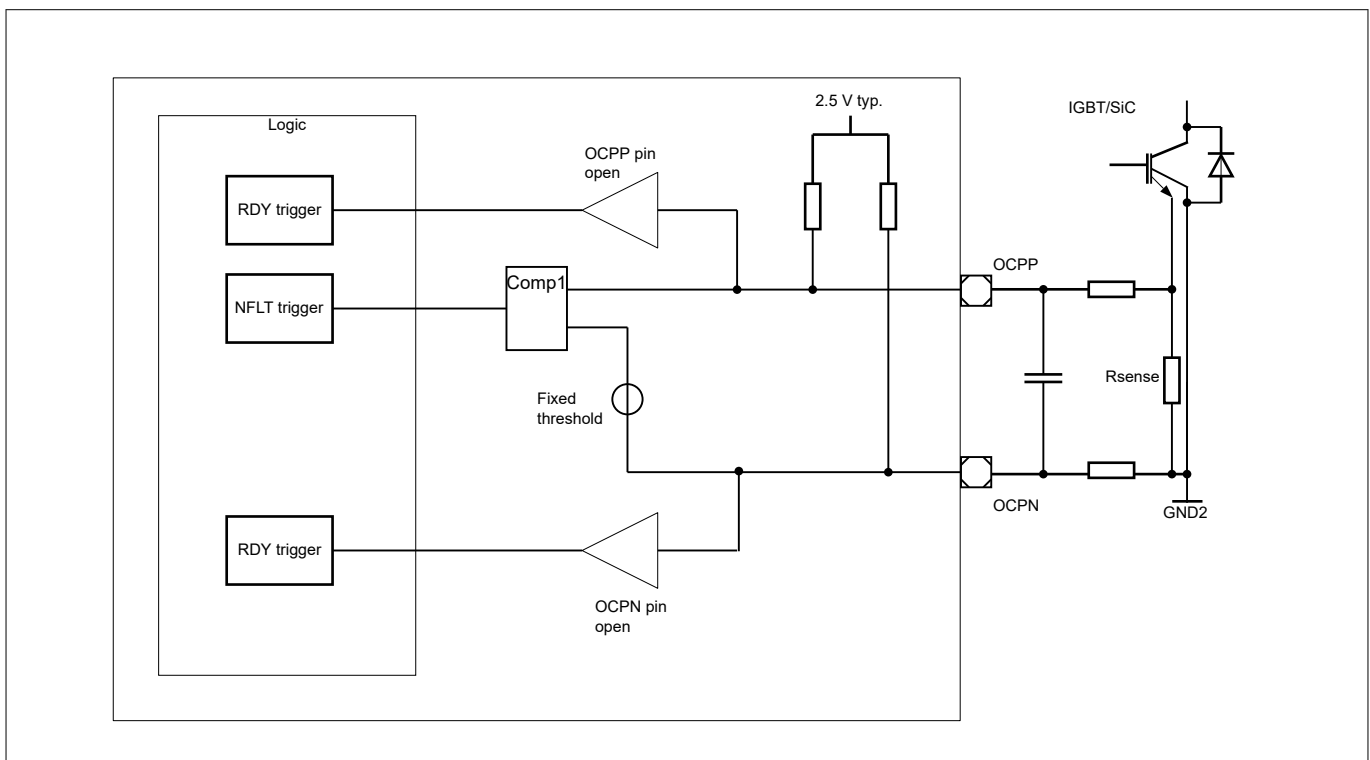


Figure 7 OCP diagram of principal functionality

7 Protection and monitoring functions

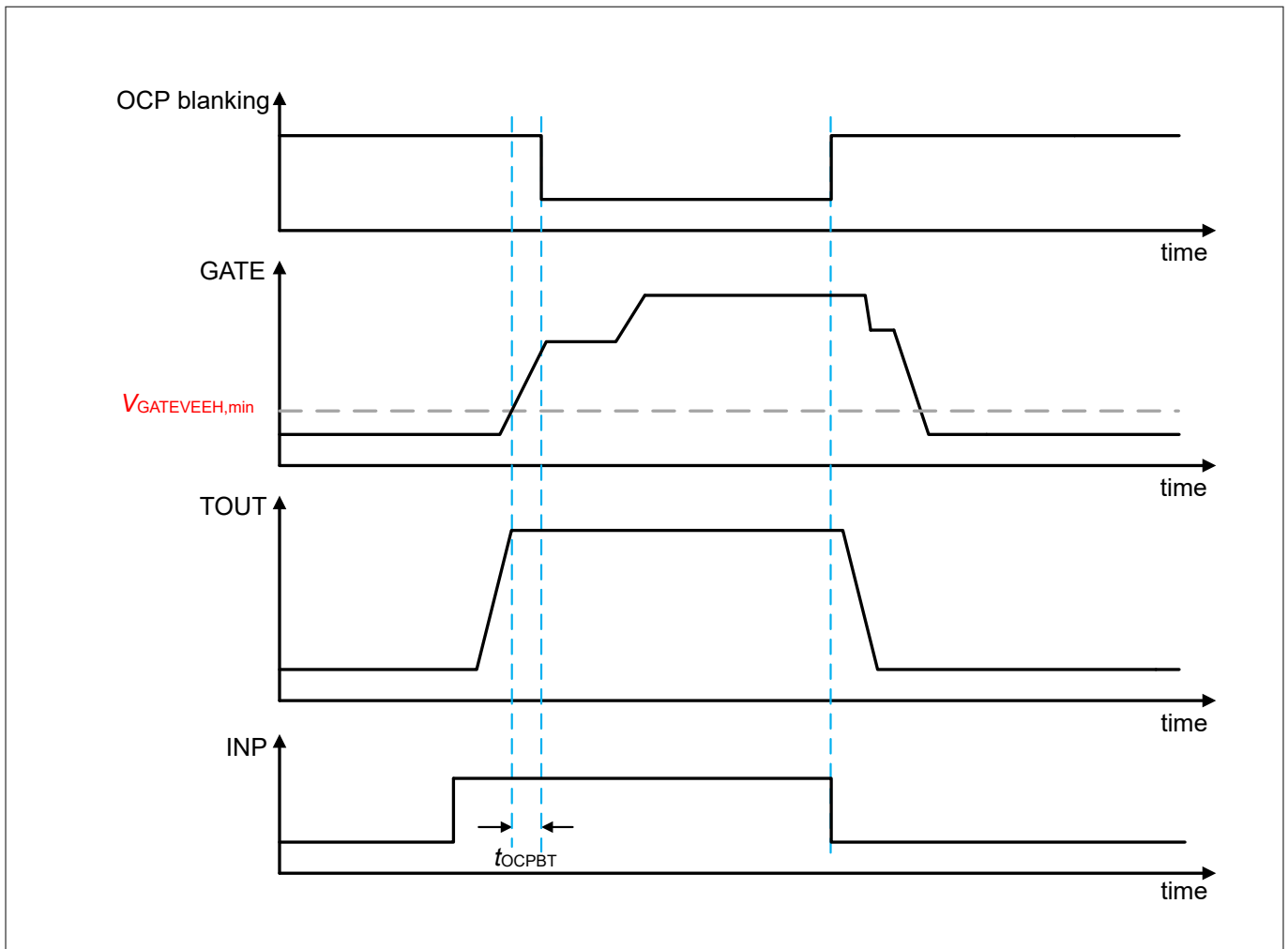


Figure 8 OCP blanking time

7.2.2 Electrical characteristics OCP protection

Table 11 Electrical characteristics OCP

$T_J = -40^{\circ}\text{C}$ to 150°C ; all voltages with respect to ground, pos. current flowing into pin (unless otherwise specified).

Parameter	Symbol	Values			Unit	Note or condition	P-Number
		Min.	Typ.	Max.			
Overcurrent error detection threshold	V_{OCPD2}	540	600	660	mV	$V_{\text{OCP}} - V_{\text{OCPN}}$	PRQ-865
OCP & OCPN pull-up resistance	R_{PUOCP2}	26	38	50	k Ω		PRQ-697
OCP & OCPN voltage	V_{OCP}	-1	-	1	V	referring to GND2	PRQ-793

(table continues...)

7 Protection and monitoring functions

Table 11 (continued) Electrical characteristics OCP

$T_J = -40^\circ\text{C}$ to 150°C ; all voltages with respect to ground, pos. current flowing into pin (unless otherwise specified).

Parameter	Symbol	Values			Unit	Note or condition	P-Number
		Min.	Typ.	Max.			
OCP detection & reaction time	t_{OCP2OFF}	100	300	400	ns	$V_{\text{OCP_Overdrive}} = 200 \text{ mV}$, slew rate = 100 mV/ns, TOUT = $V_{\text{VCC2}} - 1.5 \text{ V}$, after OCP blanking time elapsed, $C_{\text{LOAD_TOUT}} = \text{no load}$, no resistive load	PRQ-842
OCP blanking time	t_{OCPBT}	120	320	400	ns	From V_{GATEVEEH} to release of blanking. $V_{\text{OCP_Overdrive}} = 200 \text{ mV}$, slew rate = 100 mV/ns, no $C_{\text{Load}}/R_{\text{Load}}$ on TOUT	PRQ-1014
OCP pin open detection voltage	V_{OCPOPEN}	2.2	2.45	2.6	V		PRQ-1030

7.3 Safe turn-off

7.3.1 Functional description safe turn-off

The device enables a Two-Level Turn-off in case of a fault.

7 Protection and monitoring functions

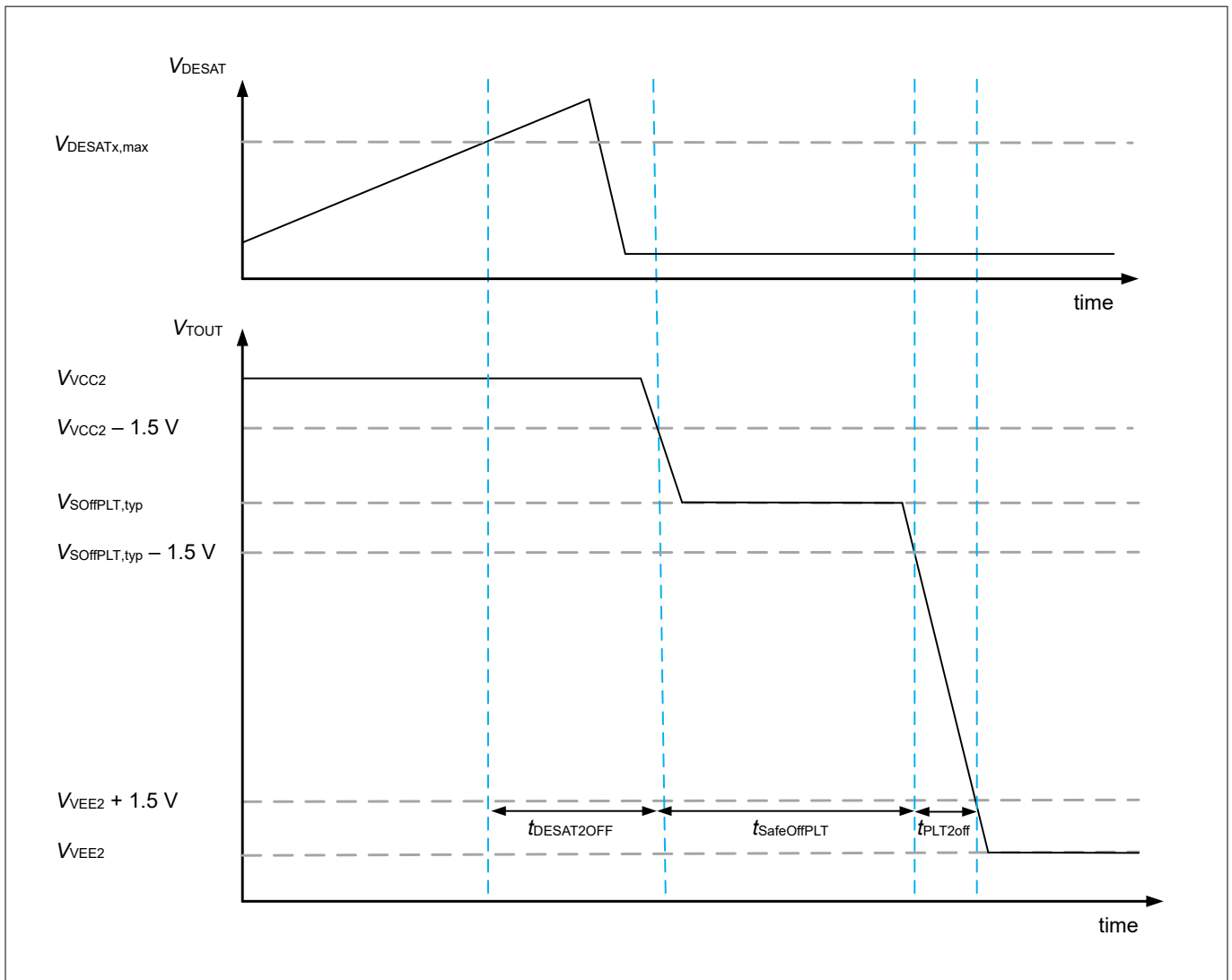


Figure 9 Two Level Turn-Off principle for safe turn-off

- Note:
- Safe turn-off is only enabled at DESAT, OCP and gate monitoring error (if TOUT = high (VCC2) events).
 - DESAT is only used as an example, can be replaced by OCP and gate monitoring.

7.3.2 Electrical characteristics safe turn-off

Table 12 Electrical characteristics safe turn-off

Parameter	Symbol	Values			Unit	Note or condition	P-Number
		Min.	Typ.	Max.			
Safe turn-off plateau time	$t_{SafeOffPLT}$	0.5	–	0.8	μs		PRQ-972
Plateau to turn-off time	$t_{PLT2off}$	10	–	50	ns	No R_{Load} , No C_{Load}	PRQ-974

(table continues...)

7 Protection and monitoring functions

Table 12 (continued) Electrical characteristics safe turn-off

Parameter	Symbol	Values			Unit	Note or condition	P-Number
		Min.	Typ.	Max.			
Safe turn-off plateau voltage level	$V_{SOFFPLT}$	5.7	6	6.3	V	$V_{VCC2} \geq V_{SOFFPLT,max} + 2\text{ V}$, $C_{LOAD_TOUT} = 68\text{ nF}$, $R_{LOAD_TOUT} = 1.7\ \Omega$	PRQ-1035

7.4 Shoot Through Protection (STP)

7.4.1 Functional description STP

The device has a Shoot Through Protection (STP) function to prevent both high-side and low-side switches to be activated simultaneously.

Note: STP is always active. However, setting the INN pin to GND1 deactivates the function.

If one of the drivers is in ON state, the driver’s counterpart PWM input is inhibited, preventing it to turn on.

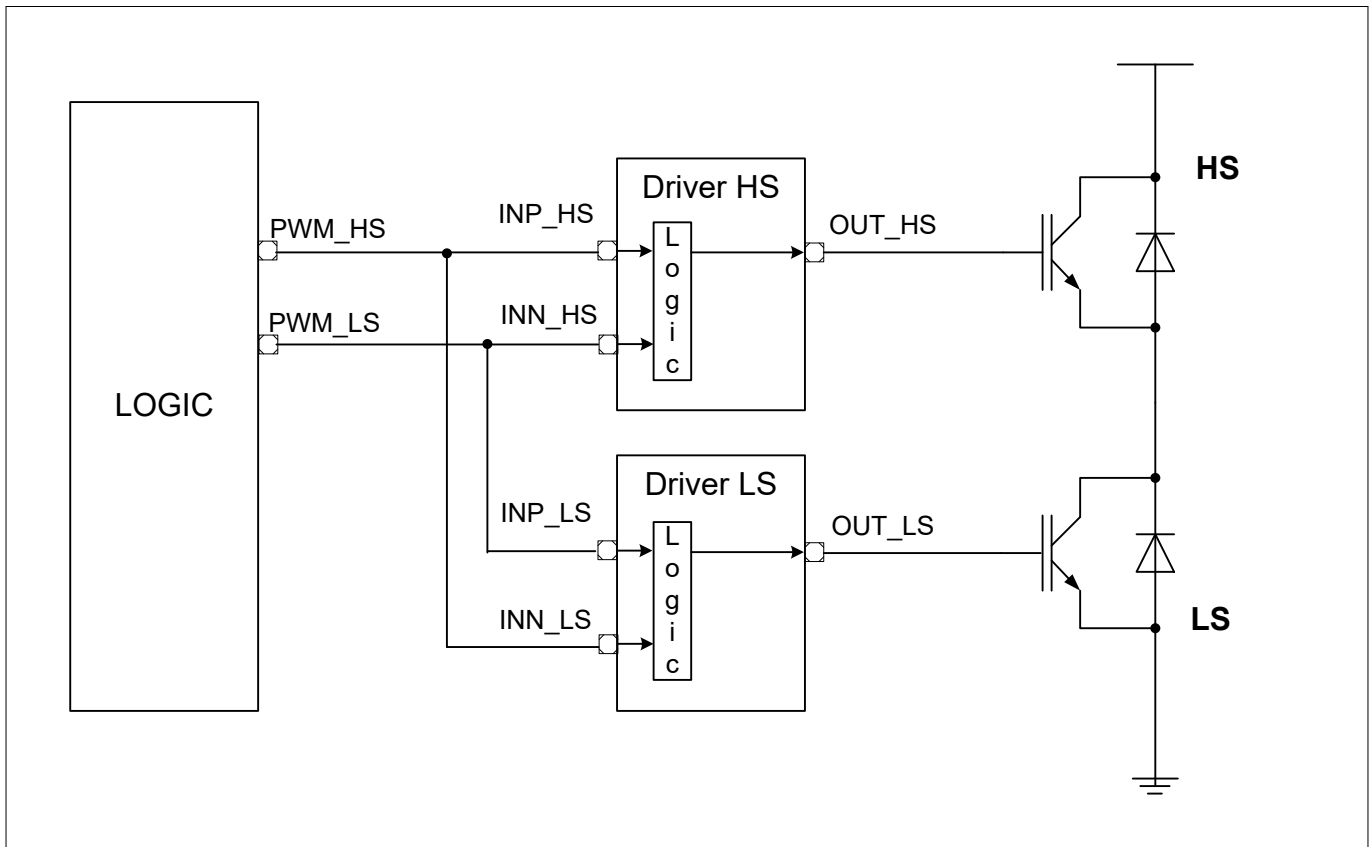


Figure 10 Shoot through protection application diagram

The device follows the shoot through protection timing diagram shown below:

7 Protection and monitoring functions

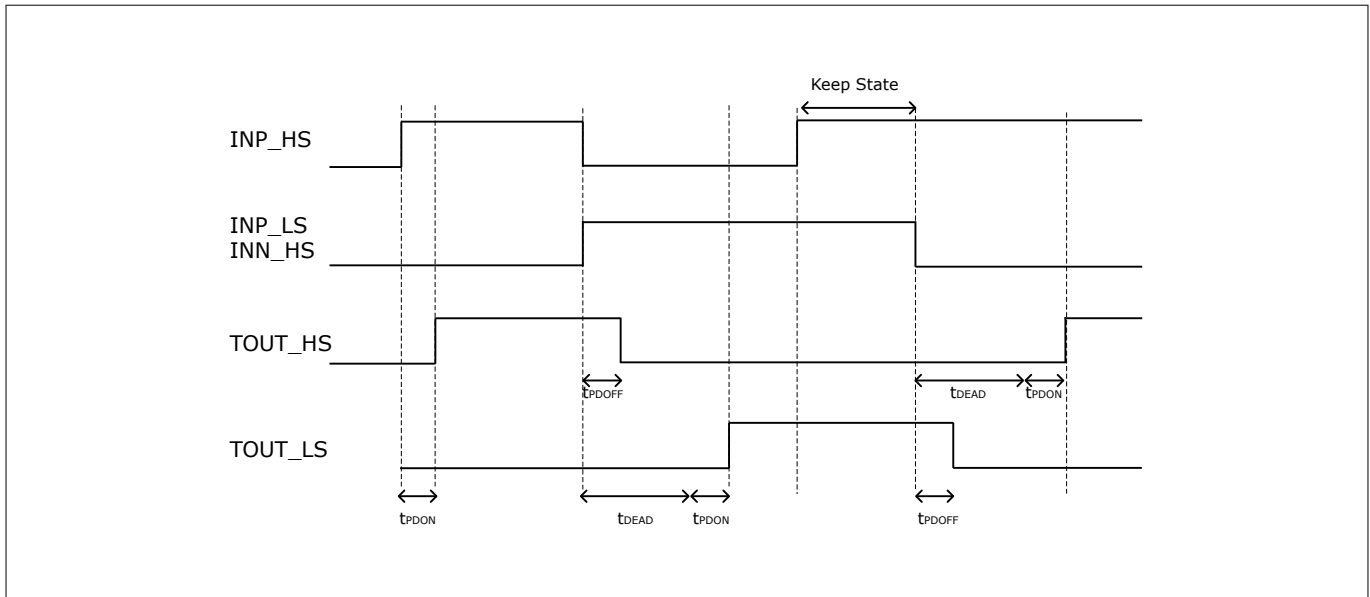


Figure 11 Shoot through protection timing diagram

7.4.2 Electrical characteristics STP

Table 13 Electrical characteristics STP

$T_J = -40^{\circ}\text{C}$ to 150°C ; all voltages with respect to ground, pos. current flowing into pin (unless otherwise specified).

Parameter	Symbol	Values			Unit	Note or condition	P-Number
		Min.	Typ.	Max.			
Dead time for shoot through protection	t_{DEAD0}	100	140	180	ns		PRQ-726

7.5 Power supply monitoring

7.5.1 Functional description power supply monitoring

The device is equipped with an undervoltage lockout for the primary supply (VCC1) and secondary supply (VCC2) in order to ensure correct switching of the power switch.

Note: In all under voltage conditions the ASC signal still works until the voltage drops below V_{ASCOFF} at VCC2.

The device turns off the power switch and ignores signals at INP and INN (goes into Power_Down Mode) if the power supply VCC1 drops below V_{UVL01L} . It returns to Ready_Mode if the voltage at VCC1 is above V_{UVL01H} and the device received a rising edge at NRST.

The device turns off the power switch within $t_{UVL02OFF}$ and ignores signals at INP and INN (go into Error_Mode) within t_{PS2RDY} if the power supply VCC2 drops below V_{UVL02L_X} . It returns to Ready_Mode if the voltage at VCC2 is above V_{UVL02H_X} and the device received a rising edge at NRST.

The device is equipped with an overvoltage lockout for the secondary supply VCC2 in order to prevent damage of the power switch.

7 Protection and monitoring functions

Note: The ASC signal will overwrite the turn-off command, which may lead to damage of the power switch (power switch).

The device turns off the power switch within $t_{OVLO22OFF}$ and ignores signals at INP and INN (go into Error_Mode) within t_{PS2RDY} if the power supply V_{VCC2} rises above V_{OVLO2H_x} . It returns to Ready_Mode if the voltage V_{VCC2} is below V_{OVLO2L_x} and the device received a rising edge at NRST.

- Note:*
- In Error_Mode, RDY changes to 0.
 - Turn-off means normal switch-off and not a safe turn-off.
 - Exception: ASC function $\rightarrow TOUT = high (VCC2)$.

7.5.2 Electrical characteristics power supply monitoring

Table 14 Electrical characteristics power supply monitoring

$T_J = -40^\circ\text{C}$ to 150°C ; all voltages with respect to ground, pos. current flowing into pin (unless otherwise specified).

Parameter	Symbol	Values			Unit	Note or condition	P-Number
		Min.	Typ.	Max.			
UVLO1 threshold low	V_{UVLO1L}	2.6	2.75	–	V	@ VCC1, referenced to GND1	PRQ-741
UVLO1 threshold high	V_{UVLO1H}	–	2.85	2.95	V	@ VCC1, referenced to GND1	PRQ-740
UVLO1 hysteresis	$V_{UVLO1HYS}$	–	80	100	mV		PRQ-742
OVLO2 threshold high	V_{OVLO2H_1}	18.9 5	19.5	20	V	@ VCC2, referenced to GND2	PRQ-746
OVLO2 threshold low	V_{OVLO2L_1}	18.1	18.7	19.2	V	@VCC2, Referenced to GND2	PRQ-886
OVLO2 hysteresis	$V_{OVLO2HYS}$	400	800	–	mV	$V_{OVLO2H_x} - V_{OVLO2L_x}$	PRQ-896
UVLO2 threshold high	V_{UVLO2H_1}	12.2	12.6	13	V	@ VCC2, referenced to GND2	PRQ-750
UVLO2 threshold low	V_{UVLO2L_1}	11.4	11.8	12.2	V	@ VCC2, referenced to GND2	PRQ-752
UVLO2 hysteresis	$V_{UVLO2HYS}$	720	800	880	mV		PRQ-755
UVLO1 detection & reaction time	$t_{UVLO12OFF}$	–	500	800	ns	Slewrate = 2 V/ μ s, Overdrive = +/- 300 mV	PRQ-914

(table continues...)

7 Protection and monitoring functions

Table 14 (continued) Electrical characteristics power supply monitoring

$T_J = -40^\circ\text{C}$ to 150°C ; all voltages with respect to ground, pos. current flowing into pin (unless otherwise specified).

Parameter	Symbol	Values			Unit	Note or condition	P-Number
		Min.	Typ.	Max.			
UVLO2 detection & reaction time	$t_{UVLO22OFF}$	-	500	800	ns	Slewwrate=10 V/ μ s; Overdrive=+/-200 mV	PRQ-915
OVLO2 detection & reaction time	$t_{OVLO22OFF}$	-	500	800	ns	Slewwrate=10 V/ μ s; Overdrive=+/-200 mV	PRQ-916
Power supply monitoring detection and notification time	t_{PS2RDY}	-	-	2.5	μ s	VCC2 = typ., VEE2 = typ.	PRQ-976

7.6 Gate monitoring

7.6.1 Functional description gate monitoring

The device monitors in the time frame of t_{GMBT} (dynamic or static) the gate signal V_{GATE} at pin CLAMP/GATE to ensure the signal V_{TOUT} reaches the threshold value of V_{GATE} properly. If monitoring conditions are violated, the device issues a safe turn-off (if TOUT = high (VCC2) in less than t_{GM-DaR} and changes to Error_Mode in less than t_{RDY_GM} .

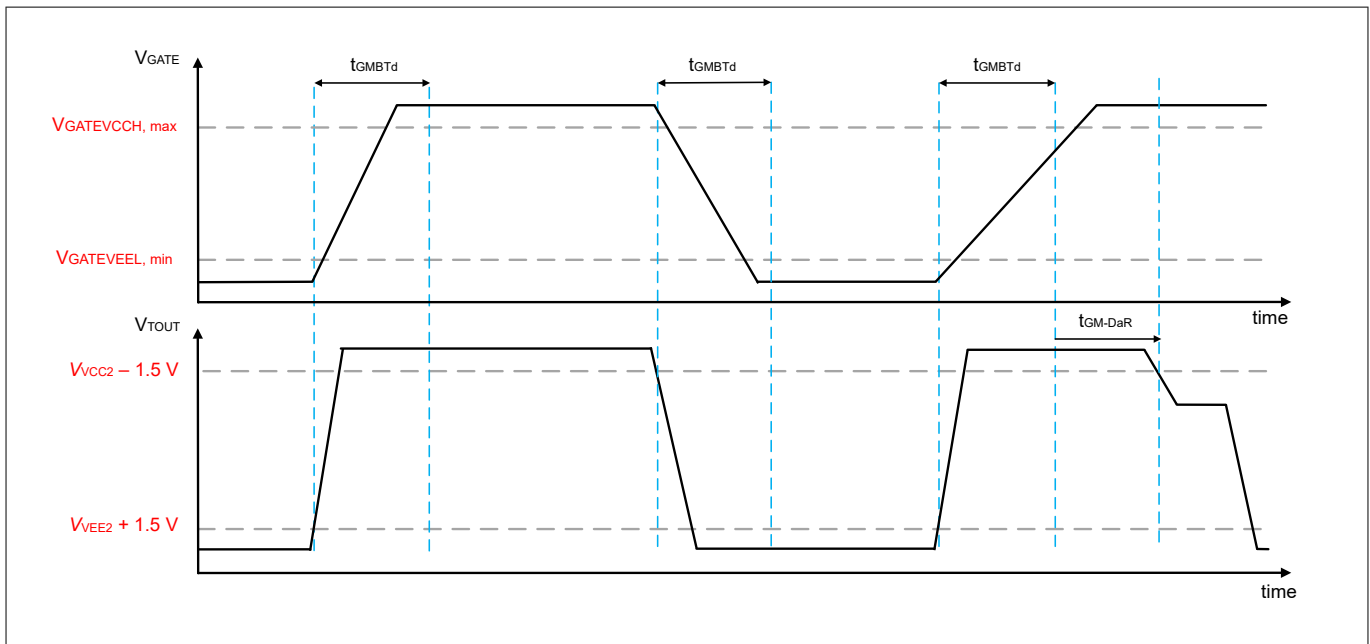


Figure 12 Dynamic gate monitoring timing diagram

7 Protection and monitoring functions

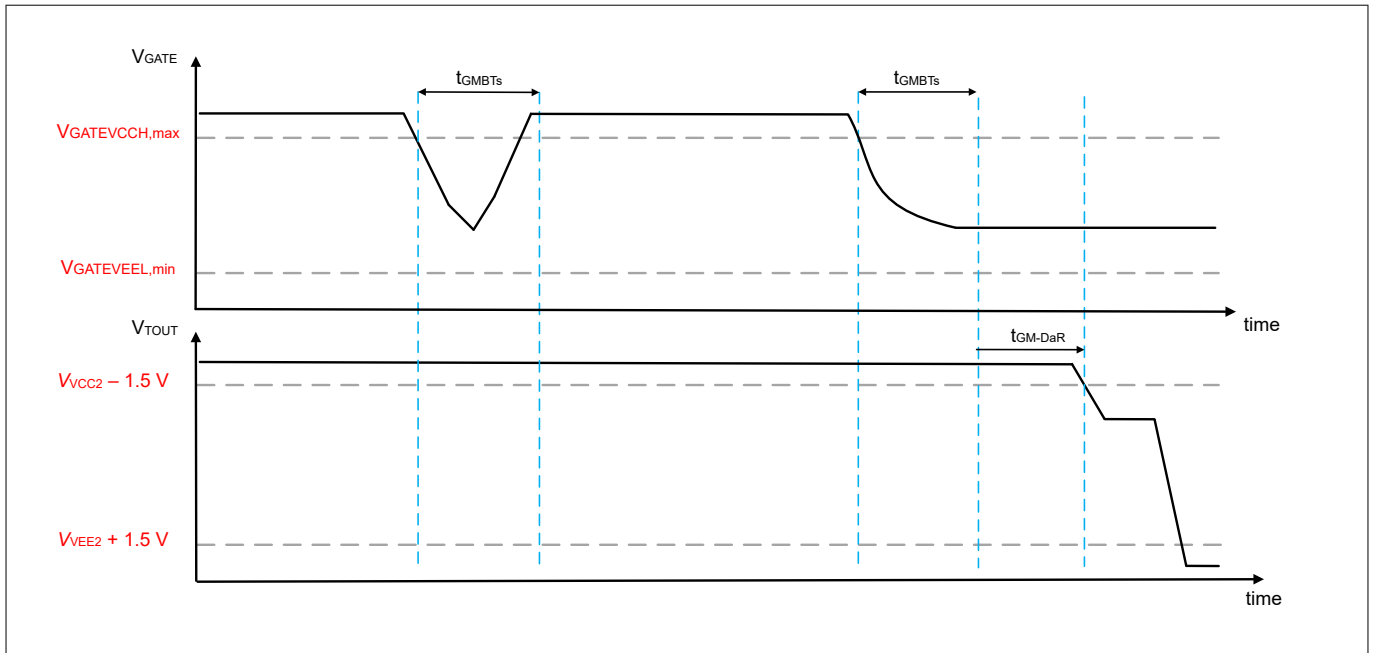


Figure 13 Static gate monitoring timing diagram

7.6.2 Electrical characteristics gate monitoring

Table 15 Electrical characteristics gate monitoring

$T_J = -40^{\circ}C$ to $150^{\circ}C$; all voltages with respect to ground, pos. current flowing into pin (unless otherwise specified).

Parameter	Symbol	Values			Unit	Note or condition	P-Number
		Min.	Typ.	Max.			
Gate monitoring detection and reaction time	t_{GM-DaR}	450	650	900	ns	$V_{CC2} = \text{typ.}, V_{EE2} = \text{typ.}$	PRQ-853
Gate monitoring detection and notification time	t_{RDY_GM}	-	1.5	2.5	μs	$V_{CC2} = \text{typ.}, V_{EE2} = \text{typ.}$	PRQ-910
Dynamic gate monitoring blanking time	t_{GMBTd2}	3.24	3.6	3.96	μs	$V_{EE2} = \text{typ.}, V_{CC2} = \text{typ.}$	PRQ-978
Static gate monitoring blanking time	t_{GMBTs2}	3.60	3.9	4.20	μs	$V_{EE2} = \text{typ.}, V_{CC2} = \text{typ.}$	PRQ-982

(table continues...)

7 Protection and monitoring functions

Table 15 (continued) Electrical characteristics gate monitoring

$T_J = -40^\circ\text{C}$ to 150°C ; all voltages with respect to ground, pos. current flowing into pin (unless otherwise specified).

Parameter	Symbol	Values			Unit	Note or condition	P-Number
		Min.	Typ.	Max.			
Gate monitoring VCC2 voltage threshold high level	V_{GATEVCCH}	$V_{\text{VCC2}} - 2.3$	$V_{\text{VCC2}} - 2.1$	$V_{\text{VCC2}} - 1.9$	V	t_{GMBT} is active	PRQ-855
Gate monitoring VCC2 voltage threshold low level	V_{GATEVCCL}	$V_{\text{VCC2}} - 3.2$	$V_{\text{VCC2}} - 3$	$V_{\text{VCC2}} - 2.8$	V	t_{GMBT} is active	PRQ-962
Gate monitoring VEE2 voltage threshold high level	V_{GATEVEEH}	$V_{\text{VEE2}} + 2.8$	$V_{\text{VEE2}} + 3$	$V_{\text{VEE2}} + 3.2$	V	t_{GMBT} is active	PRQ-963
Gate monitoring VEE2 voltage threshold low level	V_{GATEVEEL}	$V_{\text{VEE2}} + 1.9$	$V_{\text{VEE2}} + 2.1$	$V_{\text{VEE2}} + 2.3$	V	t_{GMBT} is active	PRQ-856

7.7 Output stage monitoring

7.7.1 Functional description output stage monitoring

The output stage monitoring checks whether the internal output signal is according to the given PWM or ASC input signal in the time frame of t_{OUTMBTX} , otherwise the device issues a tri-state for the output stage in less than $t_{\text{OUTM-DaR}}$ and changes to Error_Mode in less than $t_{\text{RDY_OSM}}$.

7 Protection and monitoring functions

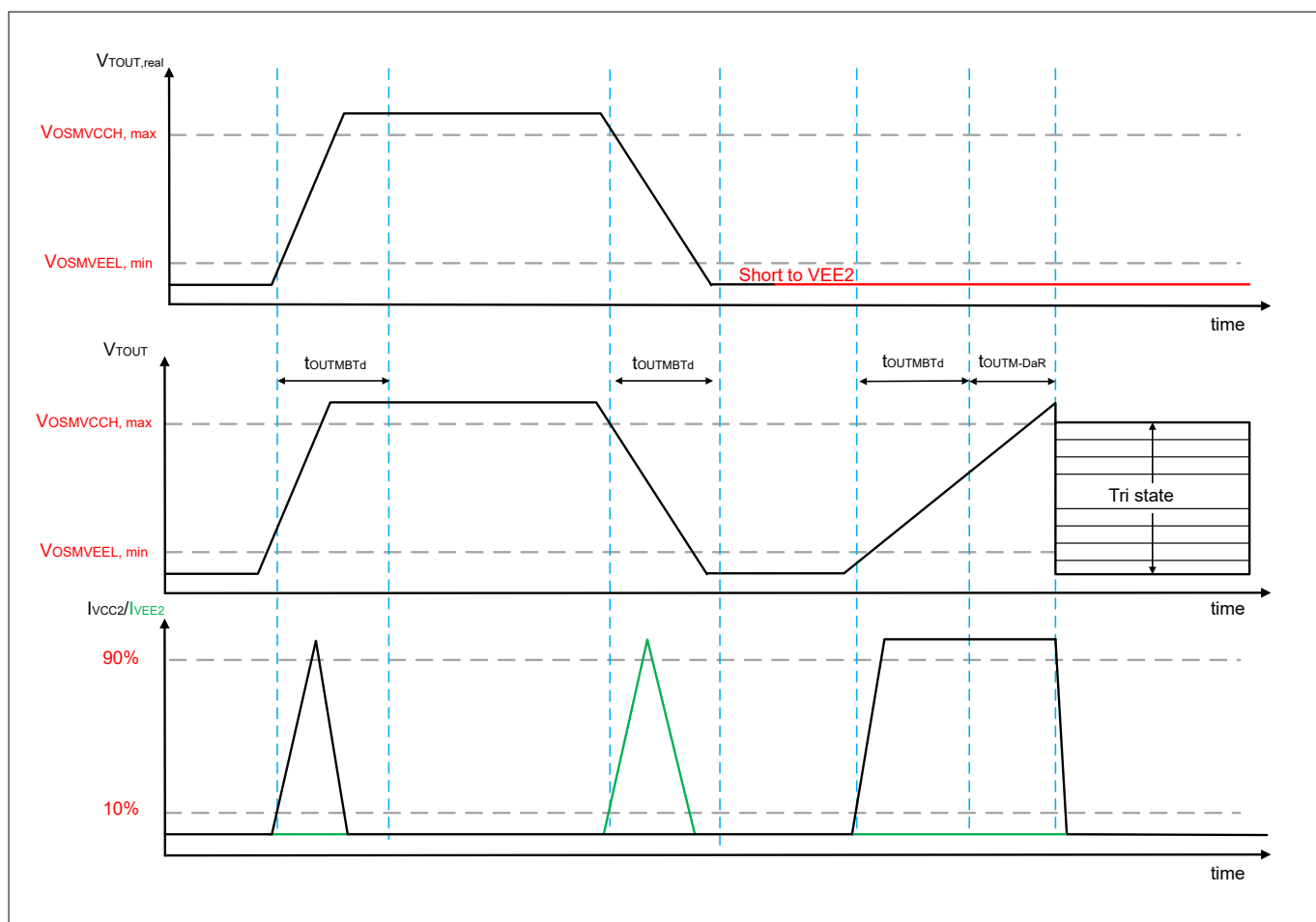


Figure 14 **Dynamic output stage monitoring working principle**

7 Protection and monitoring functions

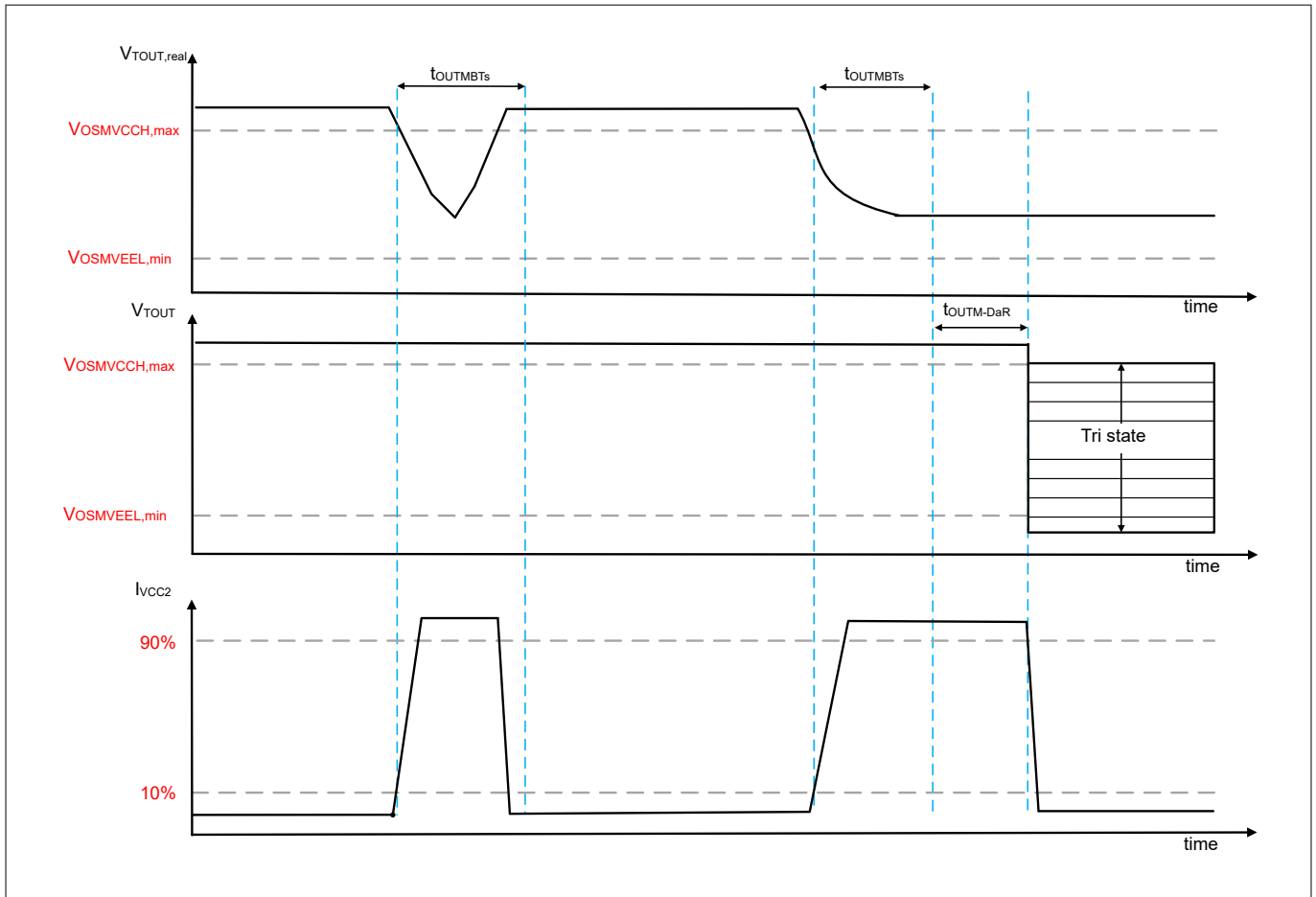


Figure 15 Static output stage monitoring working principle

Note: The passive clamping at TOUT is working.

7.7.2 Electrical characteristics output stage monitoring

Table 16 Electrical characteristics output stage monitoring

$T_J = -40^{\circ}\text{C}$ to 150°C ; all voltages with respect to ground, pos. current flowing into pin (unless otherwise specified).

Parameter	Symbol	Values			Unit	Note or condition	P-Number
		Min.	Typ.	Max.			
Output stage monitoring detection and reaction time	$t_{\text{OUTM-DaR}}$	200	350	500	ns	VCC2 = typ., VEE2 = typ.	PRQ-859
Output stage monitoring detection and	$t_{\text{RDY_OSM}}$	-	1.5	2.5	μs	VCC2 = typ., VEE2 = typ.	PRQ-964

(table continues...)

7 Protection and monitoring functions

Table 16 (continued) Electrical characteristics output stage monitoring

$T_J = -40^\circ\text{C}$ to 150°C ; all voltages with respect to ground, pos. current flowing into pin (unless otherwise specified).

Parameter	Symbol	Values			Unit	Note or condition	P-Number
		Min.	Typ.	Max.			
notification time							
Dynamic output stage monitoring blanking time	t_{OUTMBTd3}	600	800	1000	ns	VEE2 = typ., VCC2 = typ.	PRQ-922
Static output stage monitoring blanking time	t_{OUTMBTs3}	1000	–	1200	ns	VEE2 = typ., VCC2 = typ.	PRQ-925
Output stage monitoring VCC2 voltage threshold high level	V_{OSMVcCH}	$V_{\text{VCC2}} - 2.3$	$V_{\text{VCC2}} - 2.1$	$V_{\text{VCC2}} - 1.9$	V	t_{OUTBT} is active	PRQ-863
Output stage monitoring VCC2 voltage threshold low level	V_{OSMVcCL}	$V_{\text{VCC2}} - 3.2$	$V_{\text{VCC2}} - 3$	$V_{\text{VCC2}} - 2.8$	V	t_{OUTBT} is active	PRQ-965
Output stage monitoring VEE2 voltage threshold high level	V_{OSMVEEH}	$V_{\text{VEE2}} + 2.8$	$V_{\text{VEE2}} + 3$	$V_{\text{VEE2}} + 3.2$	V	t_{OUTBT} is active	PRQ-966
Output stage monitoring VEE2 voltage threshold low level	V_{OSMVEEL}	$V_{\text{VEE2}} + 1.9$	$V_{\text{VEE2}} + 2.1$	$V_{\text{VEE2}} + 2.3$	V	t_{OUTBT} is active	PRQ-864

8 Clamping functions

8 Clamping functions

8.1 Active Miller clamp

8.1.1 Functional description Active Miller clamp

The clamp output is activated if the gate voltage V_{GATE} goes below $V_{GATEVEEL}$ during turn-off.

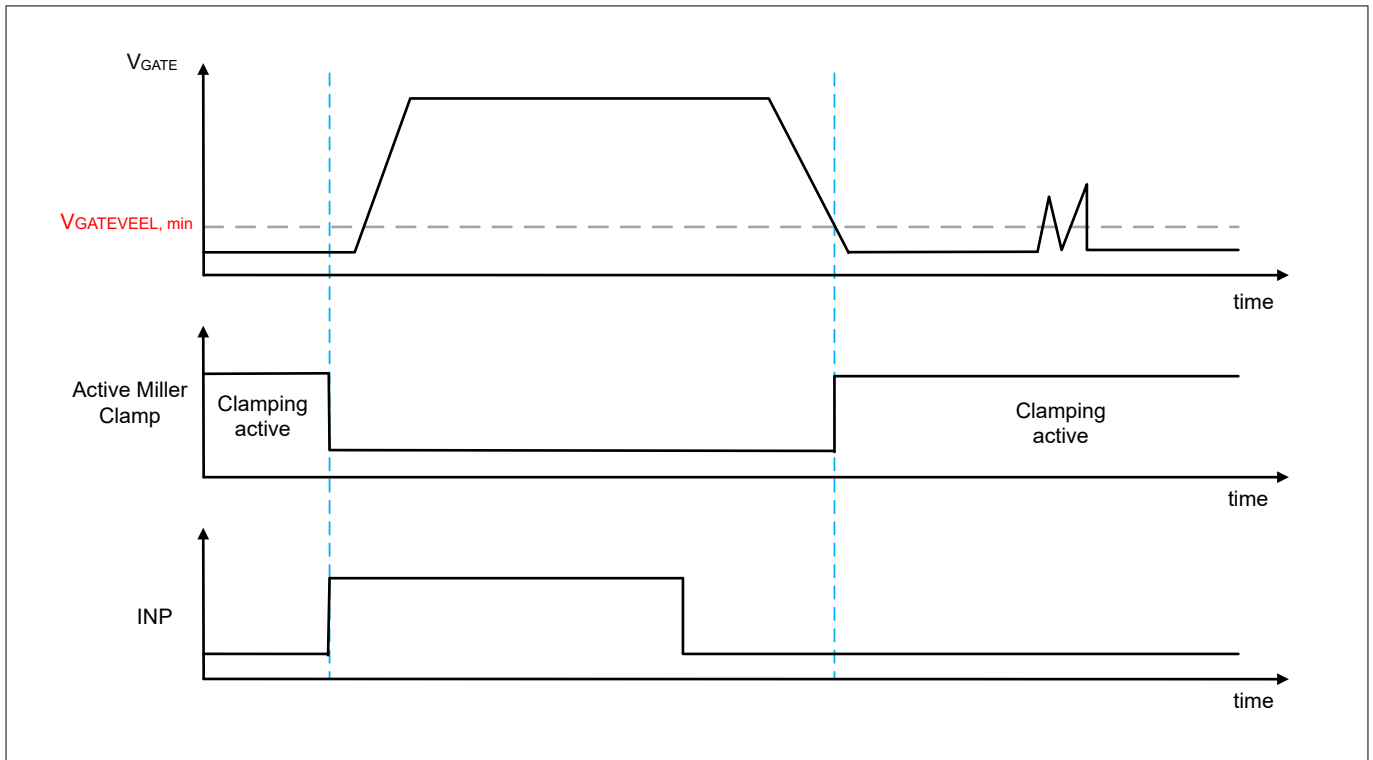


Figure 16 Active Miller clamp timing diagram

Note: In a half bridge configuration the switched off power switch tends to dynamically turn on during the turn on phase of the opposite power switch. A Miller clamp allows sinking the Miller current across a low impedance path in this high dV/dt situation. Therefore, in many applications the use of a negative supply voltage can be avoided.

8.1.2 Electrical characteristics Active Miller clamp

Table 17 Electrical characteristics Active Miller clamp

$T_J = -40^\circ\text{C}$ to 150°C ; all voltages with respect to ground, pos. current flowing into pin (unless otherwise specified).

Parameter	Symbol	Values			Unit	Note or condition	P-Number
		Min.	Typ.	Max.			
Low level clamp peak current	I_{CLAMPL}	9.5	10		A	TOUT = low (V_{VEE2}), CLAMP/GATE = V_{CLAMP} , $V_{VCC2} = 15\text{ V}$, $V_{VEE2} = -5\text{ V}$	PRQ-667
CLAMP/GATE voltage	$V_{CLAMP/GATE}$	V_{VEE2}	-	V_{VCC2}	V	Referenced to GND2, no load	PRQ-586

(table continues...)

8 Clamping functions

Table 17 (continued) Electrical characteristics Active Miller clamp

$T_J = -40^\circ\text{C}$ to 150°C ; all voltages with respect to ground, pos. current flowing into pin (unless otherwise specified).

Parameter	Symbol	Values			Unit	Note or condition	P-Number
		Min.	Typ.	Max.			
CLAMP R _{DS(on)}	R _{DS(on)-CLAMP}	0.08	–	0.35	Ω	Voltage drop $V_{VCC2} - V_{TOUT} < 1\text{ V}$	PRQ-852

8.2 Passive clamping

8.2.1 Functional description passive clamping

If the secondary chip is not supplied, the pin GATE/CLAMP is passively clamped to VEE2.

8.2.2 Electrical characteristics passive clamping

Table 18 Electrical characteristics passive clamping

$T_J = -40^\circ\text{C}$ to 150°C ; all voltages with respect to ground, pos. current flowing into pin (unless otherwise specified).

Parameter	Symbol	Values			Unit	Note or condition	P-Number
		Min.	Typ.	Max.			
GATE passive clamping voltage (I _{CLAMP} = 10 mA)	V _{PCLPG1}	–	–	V _{VEE2} + 2 V	V	Secondary chip not supplied (VCC2 floating, VEE2 = 0 V), I _{Clamp} = 10 mA	PRQ-738
GATE passive clamping voltage (I _{CLAMP} = 100 mA)	V _{PCLPG2}	–	–	V _{VEE2} + 2.2 V	V	Secondary chip not supplied (VCC2 floating, VEE2 = 0 V), I _{Clamp} = 100 mA	PRQ-882

9 Active Short Circuit (ASC)

9 Active Short Circuit (ASC)

9.1 Functional description ASC

The device implements an ASC function which is driving an "TOUT = high (VCC2)" to the power switch in all 4 modes, if requested (through pin).

Note: The ASC behavior for certain conditions/errors is stated in the Table ASC Status at Failure Events/Conditions.

Table 19 ASC Status at Failure Events/Conditions

Condition/Error	TOUT, if ASC = high
Primary chip is not ready	TOUT = high (VCC2)
EN low (disable)	TOUT = high (VCC2)
STP Error Event	TOUT = high (VCC2)
UVLO1, OVLO2 Error Event	TOUT = high (VCC2)
UVLO2 Error Event	TOUT = high ($V_{CC2} \geq V_{ASCOFF}$)
DESAT & OCP Error Event	Safe turn-off
Gate Monitoring Error Event	Safe turn-off
Output Stage Monitoring Error Event	Tristate
Sec. Internal Supervision Error Event (Parity, OTP, OCPx pin open)	TOUT = high (VCC2)
Sec. Internal Supervision Error Event (PMU_Supervision Error)	TOUT = low (VEE2)

Note: If a valid ASC signal is applied while a gate monitoring error occurs, the device triggers the according turn-off and will try to turn-on again until no valid ASC signal is applied. However as long as the gate monitoring error still occurs the device will turn off, resulting in an oscillating behavior.

9 Active Short Circuit (ASC)

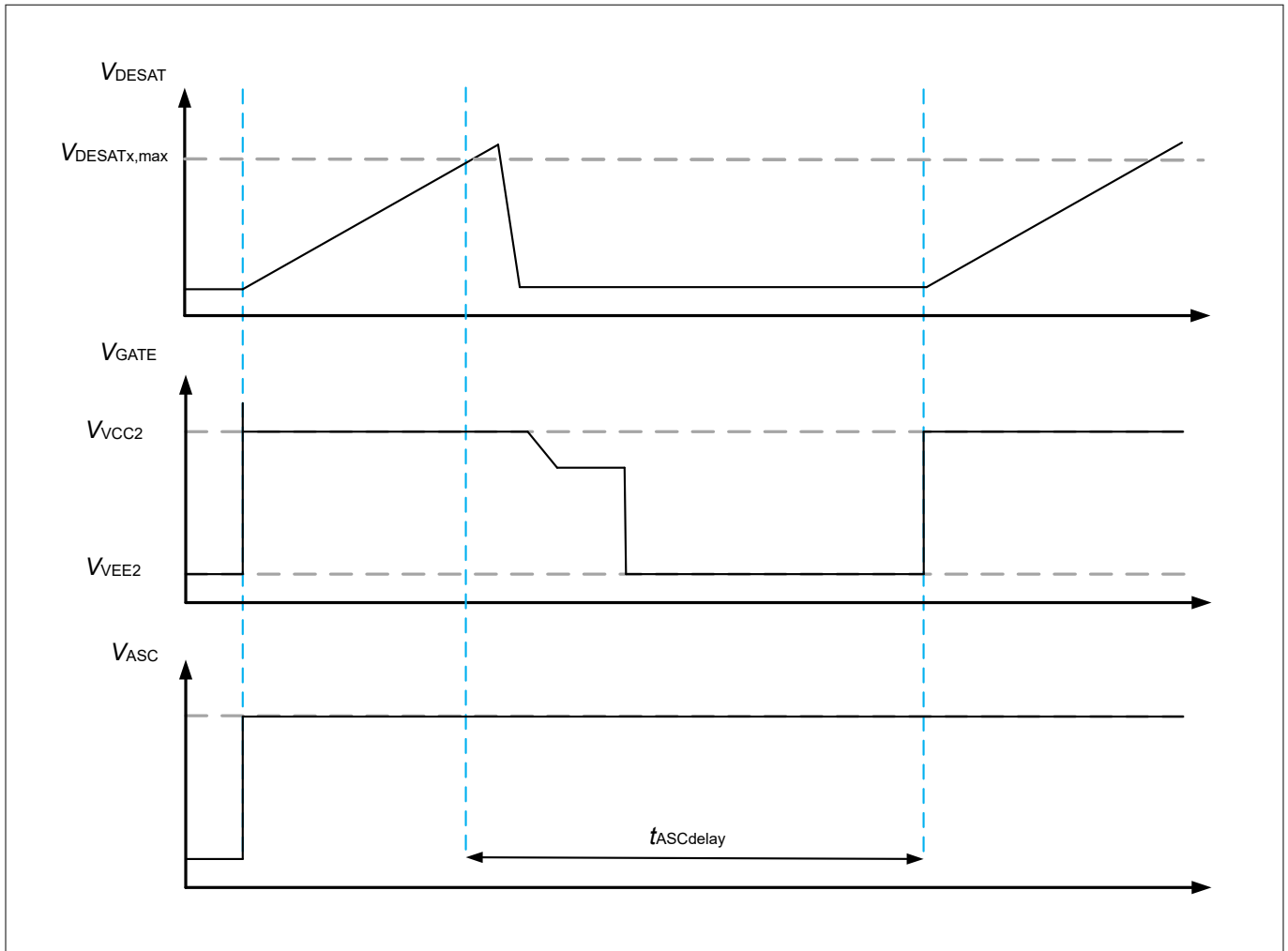


Figure 17 ASC turn-on delay after ASC trigger with DESAT/OCP event

Note: If the ASC signal continues to be triggered according to specification, the device will retry a turn-on at $TOUT = high(VCC2)$ until DESAT/OCP is no longer occurring.

9.2 Electrical characteristics ASC

Table 20 Electrical characteristics ASC

$T_J = -40^{\circ}C$ to $150^{\circ}C$; all voltages with respect to ground, pos. current flowing into pin (unless otherwise specified).

Parameter	Symbol	Values			Unit	Note or condition	P-Number
		Min.	Typ.	Max.			
ASC detection & reaction time	t_{ASC}	400	-	650	ns	Start: $V_{ASCH} = V_{VCC2} - 1.5 V$, Stop: $V_{TOUT} = V_{VEE2} + 1.5 V$, ASC trigger voltage slew rate = $50 V/\mu s$, $C_{LOAD} = no\ load$, no resistive load	PRQ-806
ASC input voltage range	V_{ASC}	0	-	V_{VCC2}	V	Referenced to GND2	PRQ-584
ASC pin high input voltage	V_{ASCH}	8.6	9	-	V	$V_{VCC2} \geq V_{ASCOFF}$, referenced to GND2	PRQ-762

(table continues...)

9 Active Short Circuit (ASC)

Table 20 (continued) Electrical characteristics ASC

$T_J = -40^\circ\text{C}$ to 150°C ; all voltages with respect to ground, pos. current flowing into pin (unless otherwise specified).

Parameter	Symbol	Values			Unit	Note or condition	P-Number
		Min.	Typ.	Max.			
ASC pin low input voltage	V_{ASCL}	–	0	6.4	V	$V_{VCC2} \geq V_{ASCOFF}$, referenced to GND2	PRQ-761
ASC input current	$I_{ASCHcurrent}$	8	50	70	μA	$V_{ASCH} = 15\text{ V}$	PRQ-833
ASC minimum operating voltage	V_{ASCOFF}	9	–	–	V	Referenced to GND2, $V_{ASC} = V_{VCC2}$	PRQ-995
ASC turn-on delay after OCP/DESAT	$t_{ASCdelay}$	12	22	30	μs		PRQ-998
Minimum ASC pulse width	t_{ASCmin}	750	–	–	ns		PRQ-1039

10 Interface

10 Interface

10.1 Reset (NRST)

10.1.1 Functional description NRST

The NRST pin is the reset input of the device.
 All errors cleared with a rising edge on NRST.

10.1.2 Electrical characteristics NRST

Table 21 Electrical characteristics NRST

$T_J = -40^{\circ}\text{C}$ to 150°C ; all voltages with respect to ground, pos. current flowing into pin (unless otherwise specified).

Parameter	Symbol	Values			Unit	Note or condition	P-Number
		Min.	Typ.	Max.			
Minimum reset duration time	t_{NRST}	10	–	–	μs		PRQ-764

10.2 Ready (RDY)

10.2.1 Functional description RDY

The RDY pin reports whether the device is ready.

Note: Ready means: no OSM error, no gate monitoring error, no OVLO2, no UVLO2, no open pin at OCPx, no prim. or sec. internal supervision error, OTP read ok.

The RDY pin has a passive clamping.

Note: Passive clamping keeps RDY = 0 in case of no supply.

10.2.2 Electrical characteristics RDY

Table 22 Electrical characteristics RDY

$T_J = -40^{\circ}\text{C}$ to 150°C ; all voltages with respect to ground, pos. current flowing into pin (unless otherwise specified).

Parameter	Symbol	Values			Unit	Note or condition	P-Number
		Min.	Typ.	Max.			
RDY open drain output low level	$V_{RDY(low)}$	–	–	0.5	V	$V_{VCC1} \geq 3.0\text{ V}, I_{load} = 5\text{ mA}$	PRQ-840

(table continues...)

10 Interface

Table 22 (continued) Electrical characteristics RDY

$T_J = -40^\circ\text{C}$ to 150°C ; all voltages with respect to ground, pos. current flowing into pin (unless otherwise specified).

Parameter	Symbol	Values			Unit	Note or condition	P-Number
		Min.	Typ.	Max.			
RDY output low passive clamping	$V_{RDYCLAMP}$	–	0.5	1	V	$I_{RDYCLAMP} = 500 \mu\text{A}$, $V_{CC1} = \text{floating}$, all I/O = floating	PRQ-834
Power up timing prim.	t_{PUprim}	–	100	1500	μs	Time from UVLO1 release to device operable, secondary chip running	PRQ-959
Power up timing sec.	t_{PUsec}	–	100	1500	μs	Time from UVLO2 release to device operable, primary chip running	PRQ-960
Time from rising Edge NRST to RDY = high	$t_{NRST2RDY}$	50	–	200	ns	No error detected	PRQ-961

10.3 Fault (NFLT)

10.3.1 Functional description NFLT

The device has an active low fault pin (NFLT) to report DESAT and OCP short circuit events.

If the device switches off the output stage due to a DESAT or OCP event, it goes to Error_Mode and signals the event on pin NFLT with $NFLT = 0$ within t_{NFLT_DESAT} or t_{NFLT_OCP} .

Note: Switch off means safe turn-off.

The device keeps the fault signal available unless a reset event takes place.

10.3.2 Electrical characteristics NFLT

Table 23 Electrical characteristics NFLT

$T_J = -40^\circ\text{C}$ to 150°C ; all voltages with respect to ground, pos. current flowing into pin (unless otherwise specified).

Parameter	Symbol	Values			Unit	Note or condition	P-Number
		Min.	Typ.	Max.			
OCP event detection to NFLT activation	t_{NFLT_OCP}	–	1.2	2.3	μs	$V_{OCP_Overdrive} = +/-200 \text{ mV}$, slew rate = 100 mV/ns, $NFLT = 90 \%$, $R_{PU_NFLT} = 1 \text{ k}\Omega$	PRQ-614
DESAT event detection to NFLT activation	t_{NFLT_DESAT}	–	1.5	2.5	μs	$V_{DESAT_Overdrive} = +/-200 \text{ mV}$, slew rate = 10 V/ μs , $NFLT = 90 \%$, $R_{PU_NFLT} = 1 \text{ k}\Omega$	PRQ-844

(table continues...)

10 Interface

Table 23 (continued) Electrical characteristics NFLT

$T_J = -40^\circ\text{C}$ to 150°C ; all voltages with respect to ground, pos. current flowing into pin (unless otherwise specified).

Parameter	Symbol	Values			Unit	Note or condition	P-Number
		Min.	Typ.	Max.			
NFLT open drain output low level	V_{NFLT}	–	–	0.5	V	$V_{\text{VCC1}} \geq 3.0 \text{ V}; I_{\text{NFLT}} = 5 \text{ mA}$	PRQ-791

10.4 I/O levels

Table 24 I/O levels

$T_J = -40^\circ\text{C}$ to 150°C ; all voltages with respect to ground, pos. current flowing into pin (unless otherwise specified).

Parameter	Symbol	Values			Unit	Note or condition	P-Number
		Min.	Typ.	Max.			
Primary digital input low level	$V_{\text{digital, input(low)}}$	0	–	0.8	V		PRQ-704
Primary digital input high level	$V_{\text{digital, input(high)}}$	2	–	V_{VCC1}	V		PRQ-705
INP high/low duration	t_{INPPD}	750	–	–	ns	$V_{\text{VCC1}}=\text{typ.}, V_{\text{VCC2}}=\text{typ.}, V_{\text{VEE2}}=\text{typ.}, 50\%$ to 50%	PRQ-970
INN high/low duration	t_{INNPD}	750	–	–	ns	$V_{\text{VCC1}}=\text{typ.}, V_{\text{VCC2}}=\text{typ.}, V_{\text{VEE2}}=\text{typ.}, 50\%$ to 50%	PRQ-971
Weak pull down resistance NRST, EN, INP	R_{PDIN1}	40	48	60.5	$\text{k}\Omega$		PRQ-929
Weak pull up resistance INN	R_{PDINN}	40	52	60.5	$\text{k}\Omega$		PRQ-930

10.5 DATA read-out

10.5.1 Functional description DATA

Diagnostic data are available in Ready_Mode, Normal_Mode and Error_Mode, starting with the next frame.

The following diagnostic functions are reported in Ready_Mode, Normal_Mode and Error_Mode:

- UVLO2
- OVLO2
- Gate monitoring

10 Interface

- Output stage monitoring
- OCP
- DESAT
- Sec. internal supervision error (Parity, OTP, PMU_Supervision error)

The 8 bit diagnostic functions is pulse width modulated to a signal with a period of t_{Period_Diag} .
 The duty cycle of the DATA pin always remains in the range of D_{Diag} regardless of the diagnostic status.

Note: 0% and 100% duties are not allowed at DATA pin.

Table 25 Diagnostic read-out at DATA pin

BIT _x	Value	Description	Value	Description	Example: Single failure DESAT
BIT 0	0	PRIM NOT READY	1	PRIM READY	1
BIT 1	0		1		1
BIT 2	0		1		1
BIT 3	0		1		1
BIT 4	Reserved (always 0)				
BIT 5	0	No OSM Error	1	OSM Error	0
BIT 6	0	No GATEMON Error	1	GATEMON Error	0
BIT 7	0	No DESAT Error	1	DESAT Error	1
BIT 8	0	No OCP Error	1	OCP Error	0
BIT 9	0	No UVLO2 Error	1	UVLO2 Error	0
BIT 10	0	No OVLO2 Error	1	OVLO2 Error	0
BIT 11	0	SEC READY	1	SEC NOT READY	0
Result from example diagnostic read-out:					Duty cycle = 3.49 %

The duty cycle for diagnostic read-out can be calculated using the following formula:

$$DC = \frac{\sum(BIT_x \cdot 2^x)}{4096}$$

Figure 18 Formula to calculate the duty cycle for diagnostic read-out

10 Interface

10.5.2 Electrical characteristics DATA

Table 26 Electrical characteristics DATA

$T_J = -40^\circ\text{C}$ to 150°C ; all voltages with respect to ground, pos. current flowing into pin (unless otherwise specified).

Parameter	Symbol	Values			Unit	Note or condition	P-Number
		Min.	Typ.	Max.			
Diagnostic duty cycle range	D_{Diag}	0.36	–	99.6	%		PRQ-783
Diagnostic period	$t_{\text{Period_Diag}}$	95	100	105	μs		PRQ-785
DATA output low level	$V_{\text{DATA,output}} t(\text{low})$	–	0	0.5	V	$V_{\text{VCC1}} \geq 3.0 \text{ V}, I_{\text{load}} = 5 \text{ mA}$	PRQ-706
DATA output high level	$V_{\text{DATA,output}} t(\text{high})$	$V_{\text{CC1}} - 0.5$	V_{CC1}	–	V	$V_{\text{VCC1}} \geq 3.0 \text{ V}, I_{\text{load}} = 5 \text{ mA}$	PRQ-707

11 Application information

11 Application information

The external component values are specified as typical values in a typical application. Deviation of the nominal values are specified as min or max values, if applicable. Unless otherwise specified the deviation for external components are:

- Resistor: $\pm 10\%$
- Capacitor: $-50\% \dots +30\%$

Note: The following information is given as a hint for the implementation of the device only and shall not be regarded as a description or warranty of a certain functionality, condition or quality of the device.

11.1 Electrical characteristics external components

Table 27 Electrical characteristics external components

Parameter	Symbol	Values			Unit	Note or condition	P-Number
		Min.	Typ.	Max.			
Decoupling capacitance (between VCC1 and GND1)	C_{dVCC1}	0.55	1.1	–	μF	Total capacitance refers to $1 \mu\text{F}$ capacitance + $0.1 \mu\text{F}$ close to the device. Max value depends on t_{RP1} .	PRQ-1002
Decoupling capacitance (between VCC2 and GND2)	C_{dVCC2}	–	11	–	μF	Total capacitance refers to $10 \mu\text{F}$ capacitance + $1 \mu\text{F}$ close to the device. Values depend on external C_{LOAD} . Max value depends on t_{RP2} .	PRQ-1001
Decoupling capacitance (between VEE2 and GND2)	C_{dVEE2}	–	11	–	μF	Total capacitance refers to $10 \mu\text{F}$ capacitance + $1 \mu\text{F}$ close to the device. Max value depends on t_{RP3} .	PRQ-1000
Pull-up resistance	R_{pu}	–	10	–	$\text{k}\Omega$	Min value depends on I_{OUTx_MAX} .	PRQ-1015
Filter resistance	R_{Filter}	–	1	–	$\text{k}\Omega$	Value must fit to application	PRQ-1016
Filter capacitance	C_{Filter}	–	47	–	pF	Value must fit to application	PRQ-1017
DESAT resistance	R_{Desat}	1	2.2	–	$\text{k}\Omega$	Depends on maximum current and on V_{DESATx} deviation.	PRQ-1018
DESAT filter capacitance	C_{Desat}	50	100	–	pF	Depends on required response time.	PRQ-1019
OCP sense resistor	$R_{OCPsense}$	–	0.47	–	Ω	Value depends on power switch specification, voltage rating of OCP pin has to be considered.	PRQ-1021
OCP filter resistance	R_{OCPF}	–	10	–	Ω	Depends on required response time. Consider internal pull-up.	PRQ-1022

(table continues...)

11 Application information

Table 27 (continued) Electrical characteristics external components

Parameter	Symbol	Values			Unit	Note or condition	P-Number
		Min.	Typ.	Max.			
OCPP filter capacitance	C_{OCP}	-	10	-	pF	Depends on required response time	PRQ-1023
OCPN resistance	R_{OCPN}	-	10	-	Ω	Should match to OCPP filter resistor. Consider internal pull-up.	PRQ-1024
TOUT resistance	R_{Load}	1.7	-	-	Ω	Min resistor value required according to max output current in functional range. Max value limited by gate monitoring feature.	PRQ-1025
GATE/CLAMP series resistance	R_{GATE}	-	0	-	Ω	Optional component. Voltage across resistor impacts Active Miller clamping feature.	PRQ-1028

11.2 Typical application example

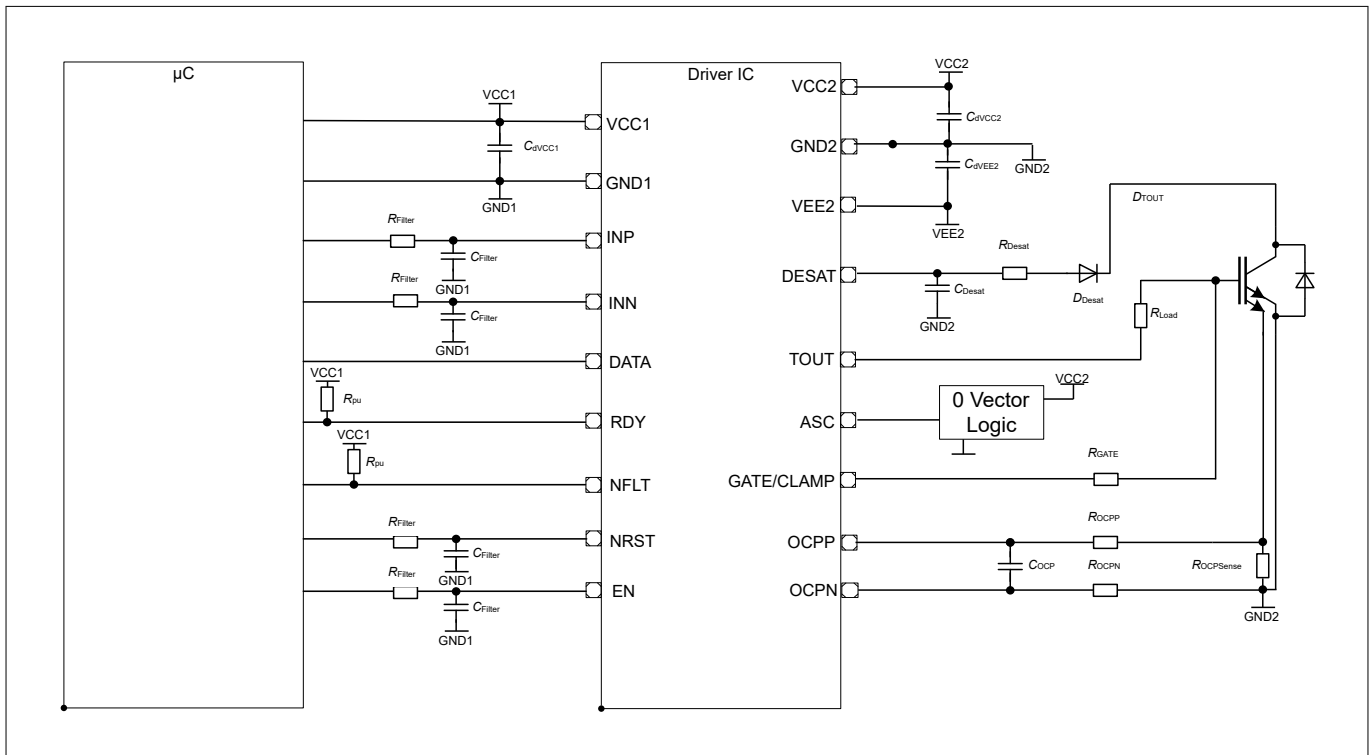


Figure 19 Typical application example with ASC

Note: This is a very simplified example. The function must be verified in the real application.

12 Package information

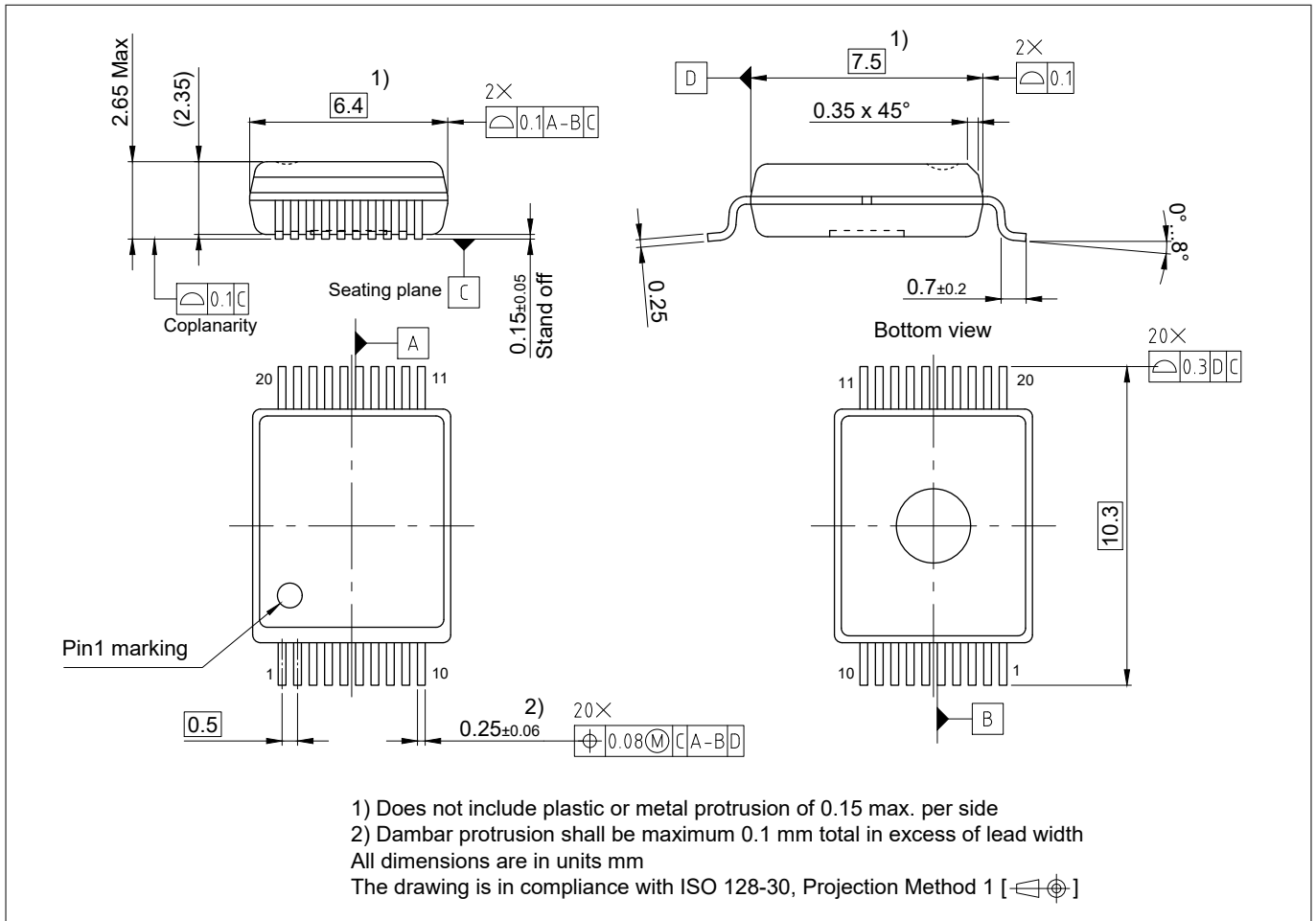


Figure 20 PG-DSO-20

Green Product (RoHS compliant)

To meet the world-wide customer requirements for environmentally friendly products and to be compliant with government regulations the device is available as a Green Product. Green Products are RoHS compliant (Pb-free finish on leads and suitable for Pb-free soldering according to IPC/JEDEC J-STD-020).

Information on alternative packages

Please visit www.infineon.com/packages.

Revision history

Revision history

Revision	Date	Changes
1.1	2022-02-17	Chapter 3.2 updated <ul style="list-style-type: none">Table 3 updated<ul style="list-style-type: none">VCC1, VEE2, VCC2 ramp-up slew-rates reducedramp-down condition removedChapter 3.4 updated<ul style="list-style-type: none">Table 5 updated<ul style="list-style-type: none">extended by further electrical informationadditional reinforced insulation options
1.01	2021-06-25	Typo in insulation certification standard corrected
1.0	2021-03-18	Initial datasheet created

Trademarks

All referenced product or service names and trademarks are the property of their respective owners.

Edition 2022-02-17

Published by

Infineon Technologies AG

81726 Munich, Germany

© 2022 Infineon Technologies AG

All Rights Reserved.

Do you have a question about any aspect of this document?

Email: erratum@infineon.com

Document reference

IFX-Z8F65960514

IMPORTANT NOTICE

The information given in this document shall in no event be regarded as a guarantee of conditions or characteristics ("Beschaffheitsgarantie").

With respect to any examples, hints or any typical values stated herein and/or any information regarding the application of the product, Infineon Technologies hereby disclaims any and all warranties and liabilities of any kind, including without limitation warranties of non-infringement of intellectual property rights of any third party.

In addition, any information given in this document is subject to customer's compliance with its obligations stated in this document and any applicable legal requirements, norms and standards concerning customer's products and any use of the product of Infineon Technologies in customer's applications.

The data contained in this document is exclusively intended for technically trained staff. It is the responsibility of customer's technical departments to evaluate the suitability of the product for the intended application and the completeness of the product information given in this document with respect to such application.

WARNINGS

Due to technical requirements products may contain dangerous substances. For information on the types in question please contact your nearest Infineon Technologies office.

Except as otherwise explicitly approved by Infineon Technologies in a written document signed by authorized representatives of Infineon Technologies, Infineon Technologies' products may not be used in any applications where a failure of the product or any consequences of the use thereof can reasonably be expected to result in personal injury.