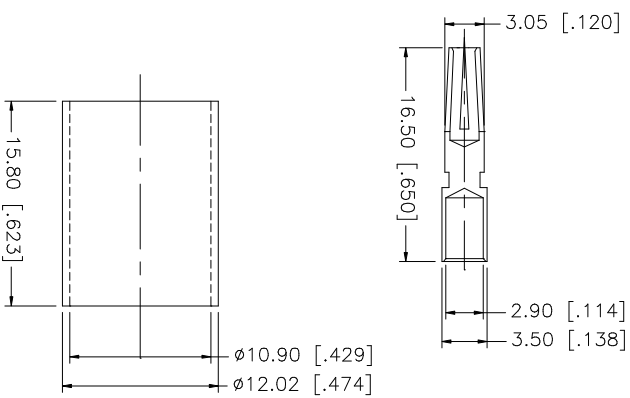
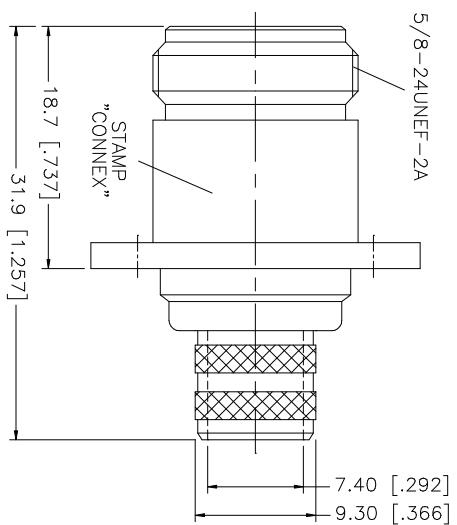
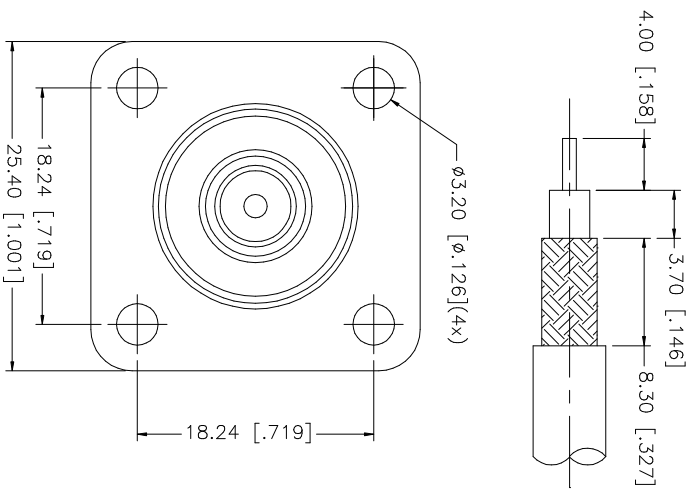


REV.	DATE	DESCRIPTION
A	03/30/04	INITIAL RELEASE



- NOTE:
1. CRIMPED FERRULE
HEX CRIMP SIZE .429"
 2. CRIMPED CONTACT PIN
HEX CRIMP SIZE .118"

		UNLESS OTHERWISE SPECIFIED DIMENSIONS ARE IN INCHES AND FOR CUSTOMER REFERENCE ONLY.		APPROVALS	DATE	Amphenol Connex N PANEL CRIMP JACK (FOR BELDEN 8214, 9913, 9914, LMR400 CABLE)	
8				DRAWN	G.R.S.		03/30/04
7				CHECKED			
6				ISSUED			
5				SHEET	1 OF 1		
4	FERRULE	COPPER	NEXCOTE	CAD FILE		DWG. NO.	
3	CONTACT PIN	PHOS. BRONZE	GOLD	C:/172/172314.DWG		REV.	
2	INSULATOR	TEFLON	NATURAL			SIZE	
1	BODY	BRASS	NEXCOTE			SCALE	
DESCRIPTION		MATERIAL	FINISH	QTY	PART NO.		
						172314	
				DO NOT SCALE DRAWING			