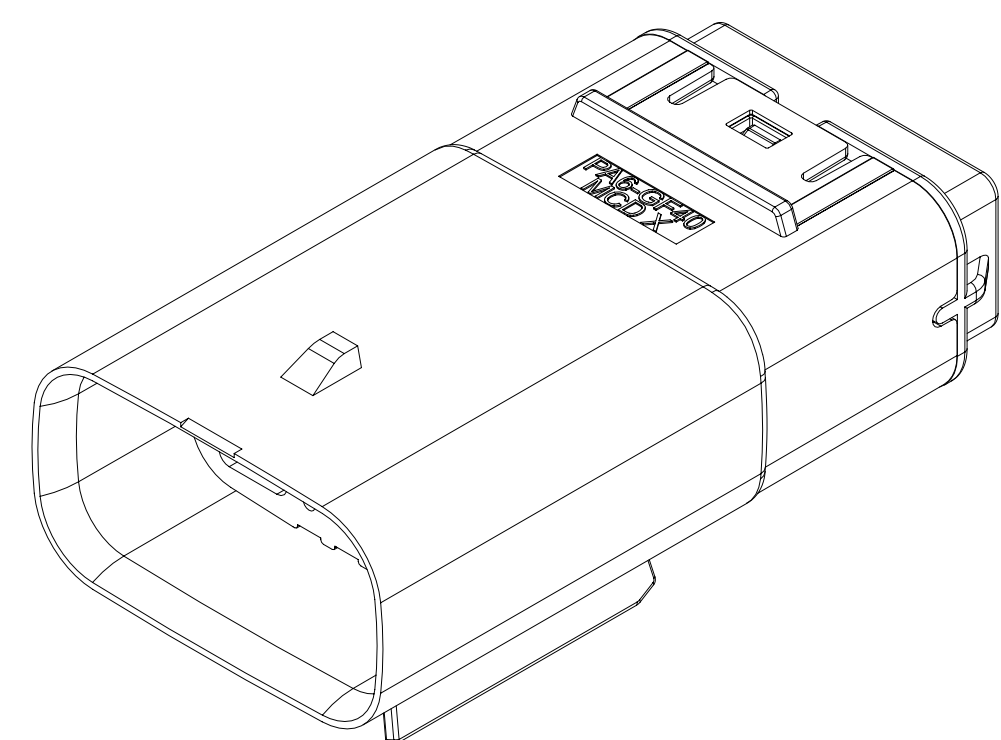


TABLE OF CONTENTS	
SHEET NO.	SHEET DESCRIPTION
1	NOTES
2	CONFIGURATIONS
3	KEY CONFIGURATIONS
4	BLADE CONNECTOR ASSEMBLY
5	SYSTEM PACKAGING
6	12W HYBRID CONNECTOR BOM

DESCRIPTION	PACKAGING DRAWING NO.	MATING INTERFACE/CONNECTOR DRAWINGS	
		INTERFACE DEFINITION	MOLEX INLINE
12W HYBRID	RPK-1601129000	SD-1601110000	SD-1601110000



12W HYBRID

NOTES: VALID UNLESS OTHERWISE SPECIFIED

1. GENERAL:

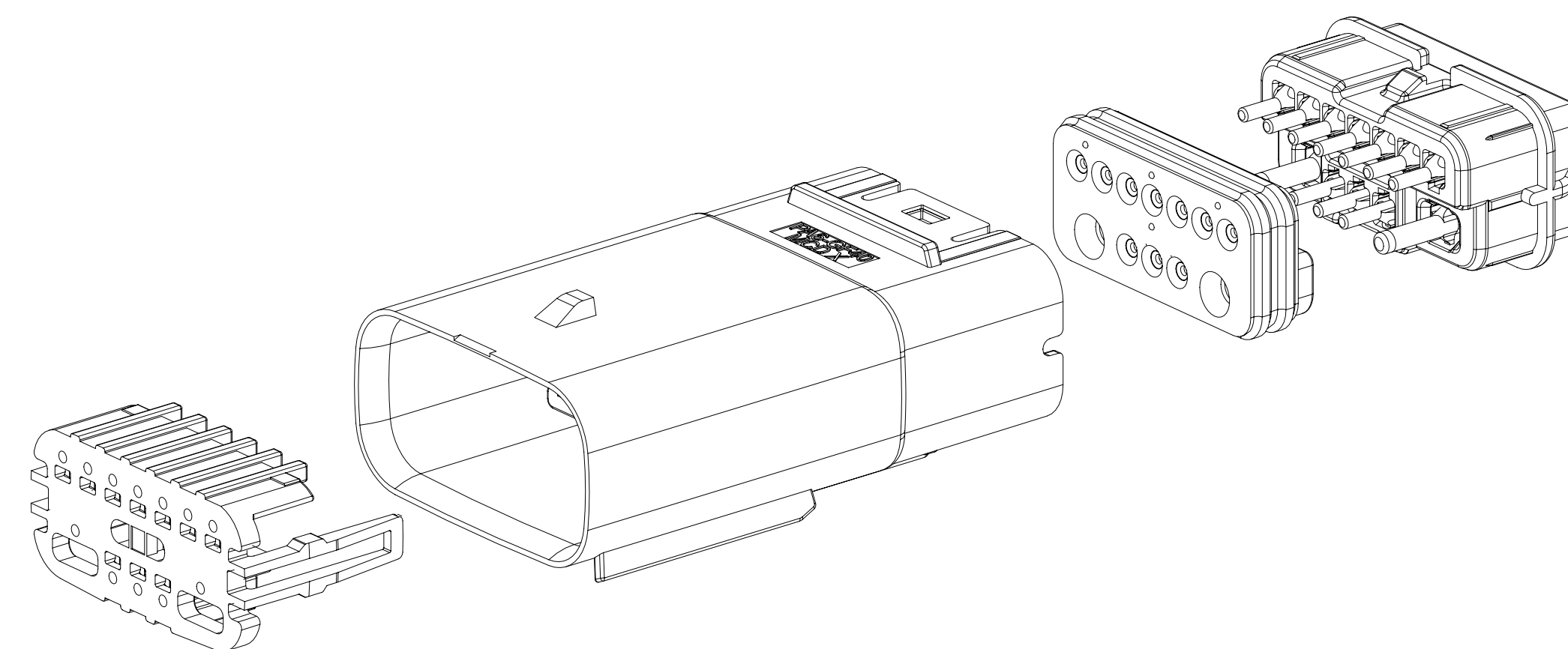
- 1.1 APPLICATION SPECIFICATION SEE: 1601110001-AS
  - CONTAINS: PRODUCT INTRODUCTION, PRODUCT SUMMARY, CONNECTOR ASSEMBLY, PACKAGING INFORMATION, CONNECTOR MATING, SERVICE INSTRUCTIONS, ELECTRICAL CONTINUITY CHECKING, CRIMPING, AND TROUBLE SHOOTING.
  - DESIGNED TO MATE WITH DEVICE OR CONNECTOR AS SPECIFIED IN THE MATING INTERFACE/CONNECTOR DRAWINGS CHART.
  - \*DENOTES DRAWINGS THAT CAN BE ACCESSED AT [<http://ewcap.uscarteams.org/>]
  - ASSEMBLY SHIPPED WITH THE FOLLOWING PARTS IN PRE-LOCK POSITION (PLR, CPA, ISL, LEVEL. SEE PRE-LOCK VIEW ON SHEET X).
- 1.2 PRODUCT SPECIFICATION SEE: 1601110001-PS
  - CONTAINS: SCOPE, PRODUCT DESCRIPTION, INTEGRAL COMPONENTS AND ACCESSORIES, APPLICABLE DOCUMENTS AND SPECIFICATIONS, RATINGS, PERFORMANCE, PACKAGING, GAUGES AND FIXTURES, AND OTHER INFORMATION.
- 1.3 PACKAGING SPECIFICATION PER MOLEX DRAWING: SEE TABLE
- 1.4 PARTS MUST BE IN COMPLIANCE TO MOLEX CHEMICAL SUBSTANCES FOR PRODUCTS AND PACKAGING SPECIFICATION: QEHS-699000-300
- 1.5 DATA MUST BE SUBMITTED UNDER THE MOLEX PART NUMBER TO IMDS (COMPANY ID#13255)

2. DESIGN - MATERIALS:

- 2.1 SEE BOM TABLE

3. DESIGN - GEOMETRY:

- 3.1 THE 3-D CAD DATA IS BASIC (WITHOUT TOLERANCE) AND MUST BE TAKEN FROM THE DATA FILE AT ITS LATEST REVISION.
  - 3.2 THE 3-D CAD DATA IS MASTER FOR THIS PART AND IS TO BE USED TO ESTABLISH DIMENSIONAL INFORMATION NOT SHOWN ON THIS DRAWING. ANY DIMENSIONS UNDERLINED INDICATE A CONFLICT WITH THE MODEL.
  - 3.3 PRODUCT DESIGN MODEL NUMBER(S): SEE BOM TABLE
  - 3.4 GEOMETRIC DIMENSIONS AND TOLERANCES PER ASME Y14.5M-2009
  - 3.5 EDGES OF UNDEFINED SHAPE PER ISO 13715
  - 3.6 CORNERS SHOWN AS SHARP TO BE R 0.2 MAX
  - 3.7 LETTERING SHALL BE 0.15 MAX RAISED IN 0.25 MAX RECESS PAD. THIS INCLUDES RECYCLING CODE, CAVITY ID, VENDOR IDENTIFICATION, AND CUSTOMER MATERIAL NUMBER.
  - 3.8 VISUAL DEFECTS SHALL MEET COSMETIC STANDARD PS-45499-002 (CLASS B).
  - 3.7 LASER MARKING
    - 1. PART NUMBER
    - 2. DAY OF THE YEAR
    - 3. SHIFT
    - 4. YEAR
- FOR ADDITIONAL INFORMATION SEE SECTION 5 UNDER PROCEDURES IN ES-34735-008.



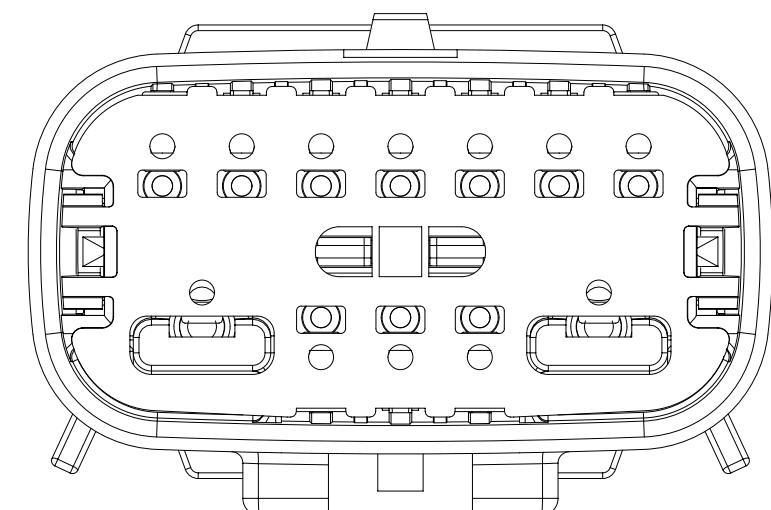
D4	ADD NEW PN 160112-6044
D3	ADD NEW PN 160112-6043
D2	ADD NEW PN 160112-6042
D1	ADD NEW PN 160112-6041
D	ADD NEW PN 160112-6039 AND 160112-6040
C2	UPDATED NOTES
C1	CHANGE DOCUMENT TYPE FROM RSD TO SD
C	ADD NEW PN 160112-6030 THRU 6038
B	UPDATED INFORMATION TO PRODUCTION LEVEL
A2	ADDED NEW PN. 160112-6023 160112-6024 160112-6025 160112-6026 160112-6027 160112-6028 160112-6029
A1	ADDED NEW PN. 160112-6022

INSPECTION NUMBER LOG		A	INITIAL RELEASE
LAST NUMBER: 5		REV	REV DESCRIPTION

FUNCTIONAL SYMBOLS FA = 0 FC = 0 FP = 0	THIS DRAWING CONTAINS INFORMATION THAT IS PROPRIETARY TO MOLEX ELECTRONIC TECHNOLOGIES, LLC AND SHOULD NOT BE USED WITHOUT WRITTEN PERMISSION	DIMENSION UNITS mm	SCALE 2:1	CURRENT REV DESC: SEE REVISION TABLE	
	DIVISIONAL SYMBOLS	GENERAL TOLERANCES (UNLESS SPECIFIED)	ANGULAR TOL ± °	EC NO: 663365	
	4 PLACES ±	3 PLACES ±	2 PLACES ±	1 PLACE ±	0 PLACES ±
	INITIAL REVISION: DRWN: ADING03 2017/03/28 APPR: JDENG02 2017/04/07		DRWN: SCV 2021/05/10 CHK'D: GGA 2021/05/11 APPR: GGA 2021/05/11		
DRAFT WHERE APPLICABLE MUST REMAIN WITHIN DIMENSIONS		THIRD ANGLE PROJECTION	DRAWING D-SIZE	SERIES 160112	INITIAL REVISION: 2021/05/11
DOCUMENT STATUS P1		RELEASE DATE 2021/05/11 11:29:35	MATERIAL NUMBER 1601120000		DOC TYPE PSD
			CUSTOMER CHARTED		DOC PART 000
			SHEET NUMBER 1 OF 6		REVISION D4

SHEET DESCRIPTION

CONFIGURATIONS



12W HYBRID

FUNCTIONAL SYMBOLS	THIS DRAWING CONTAINS INFORMATION THAT IS PROPRIETARY TO MOLEX ELECTRONIC TECHNOLOGIES, LLC AND SHOULD NOT BE USED WITHOUT WRITTEN PERMISSION		
	DIMENSION UNITS	SCALE	CURRENT REV DESC: SEE REVISION TABLE
$\nabla_A = 0$	mm	2:1	EC NO: 663365 DRWN: SCV 2021/05/10 CHK'D: GGA 2021/05/11 APPR: GGA 2021/05/11 INITIAL REVISION: DRWN: ADING03 2017/03/28 APPR: JDENG02 2017/04/07
$\nabla_C = 0$	GENERAL TOLERANCES (UNLESS SPECIFIED)		
$\nabla_D = 0$	ANGULAR TOL $\pm$ °		
DIVISIONAL SYMBOLS	4 PLACES $\pm$	3 PLACES $\pm$	
	2 PLACES $\pm$	1 PLACE $\pm$	DOCUMENT NUMBER: 1601120000 DOC TYPE: PSD DOC PART: 000 REVISION: D4
	0 PLACES $\pm$		MATERIAL NUMBER: 160112 CUSTOMER: CHARTED SHEET NUMBER: 2 OF 6
	DRAFT WHERE APPLICABLE MUST REMAIN WITHIN DIMENSIONS	THIRD ANGLE PROJECTION	DRAWING: D-SIZE SERIES: 160112

**molex**

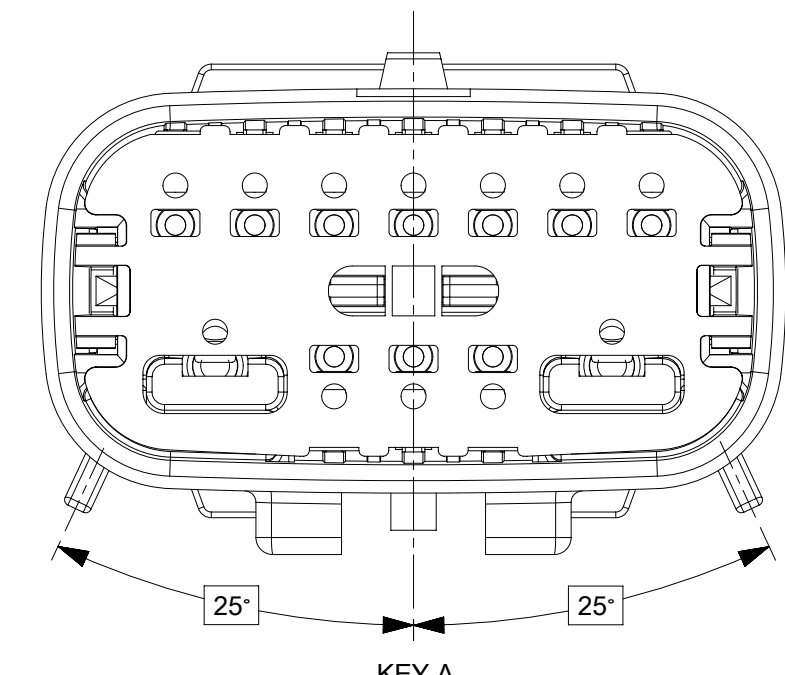
MX150 HYBRID MAT SEAL BLD CONN ASM SALES

PRODUCT CUSTOMER DRAWING

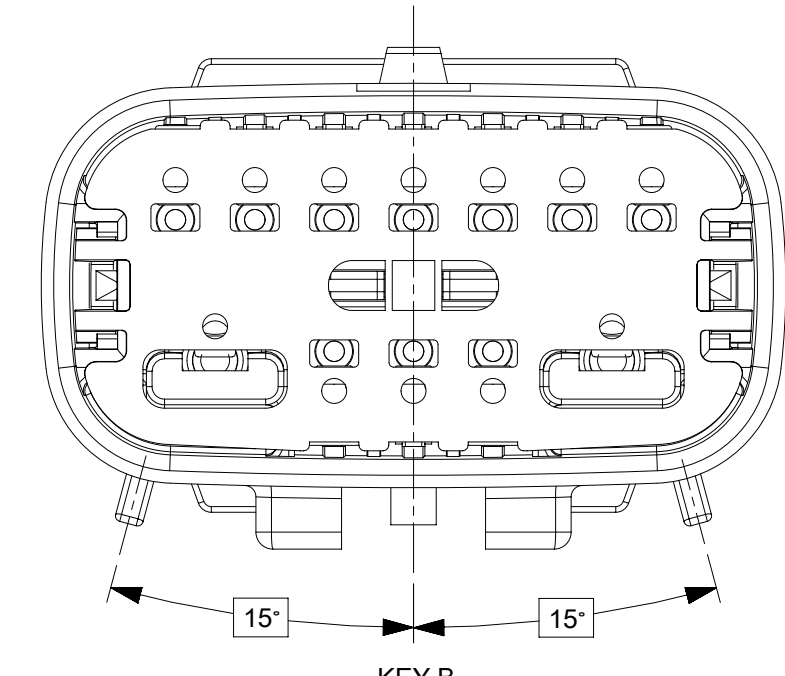
SEE NOTES

SHEET DESCRIPTION  
KEY CONFIGURATIONS

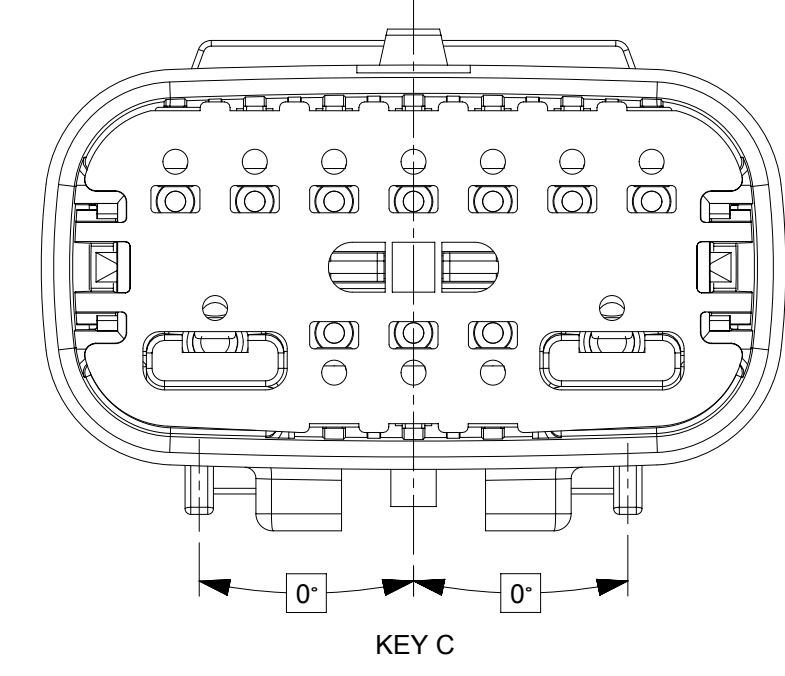
12W HYBRID



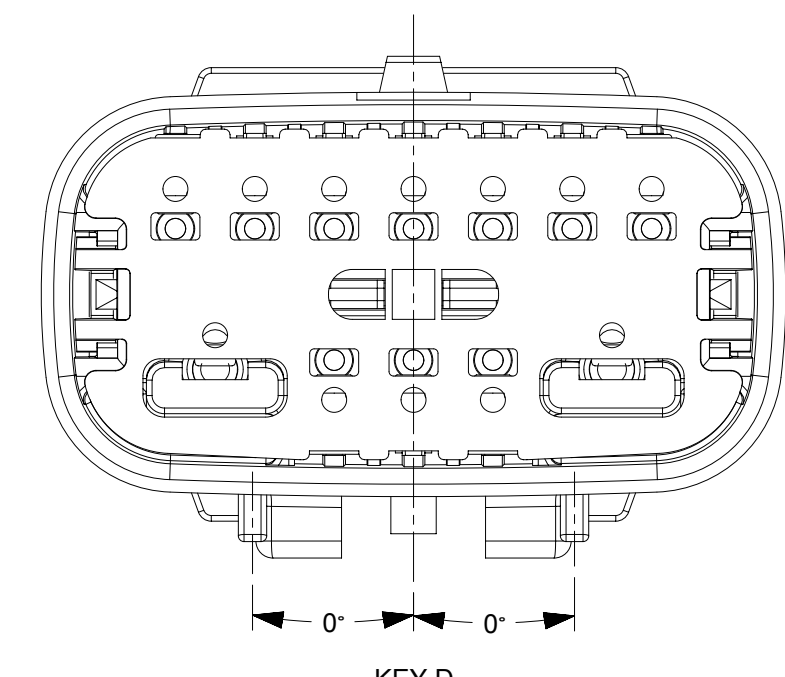
KEY A



KEY B



KEY C

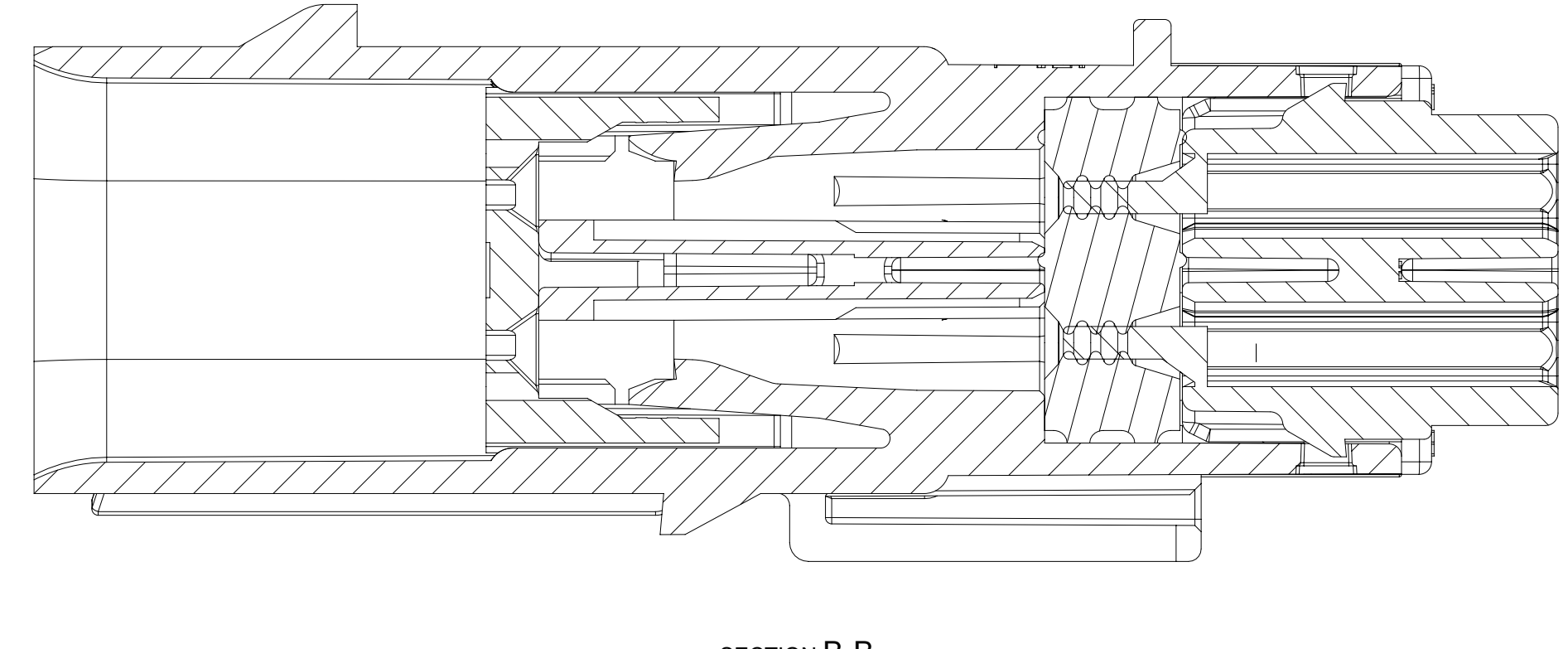
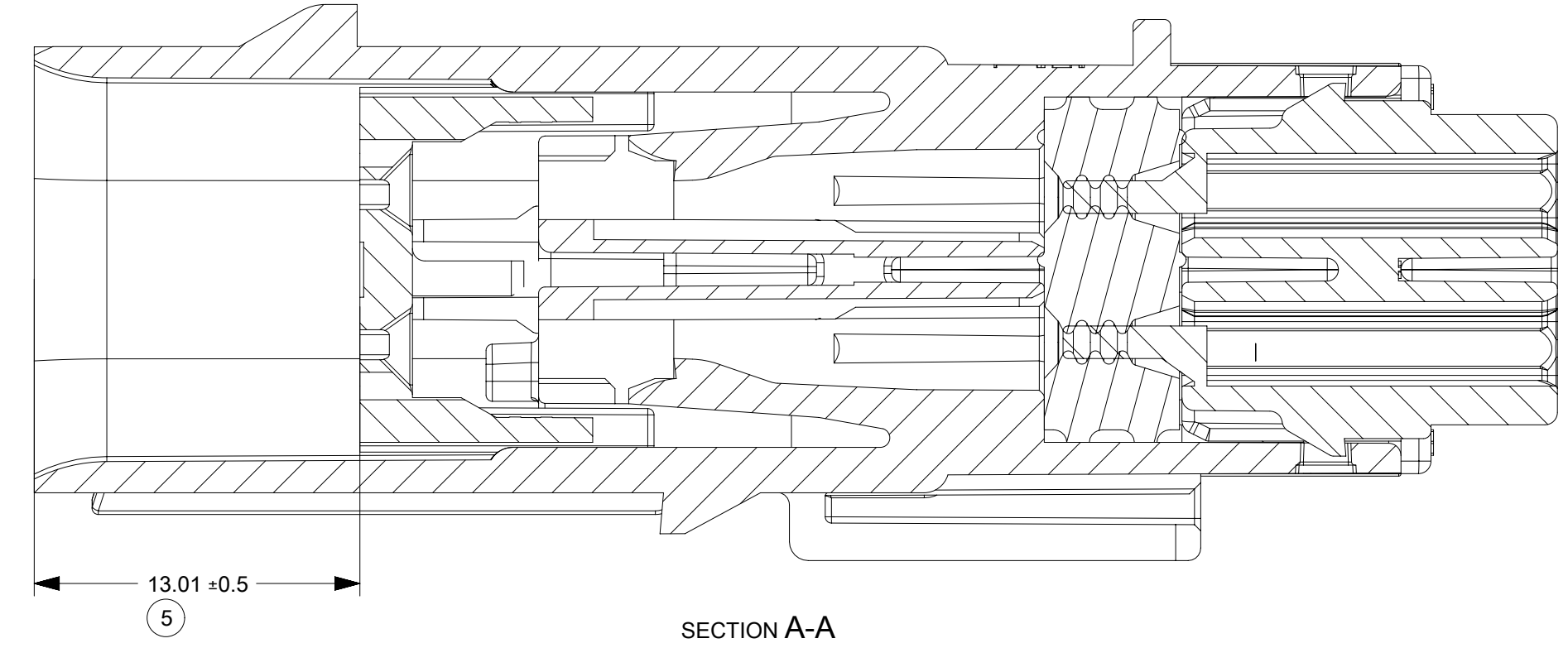
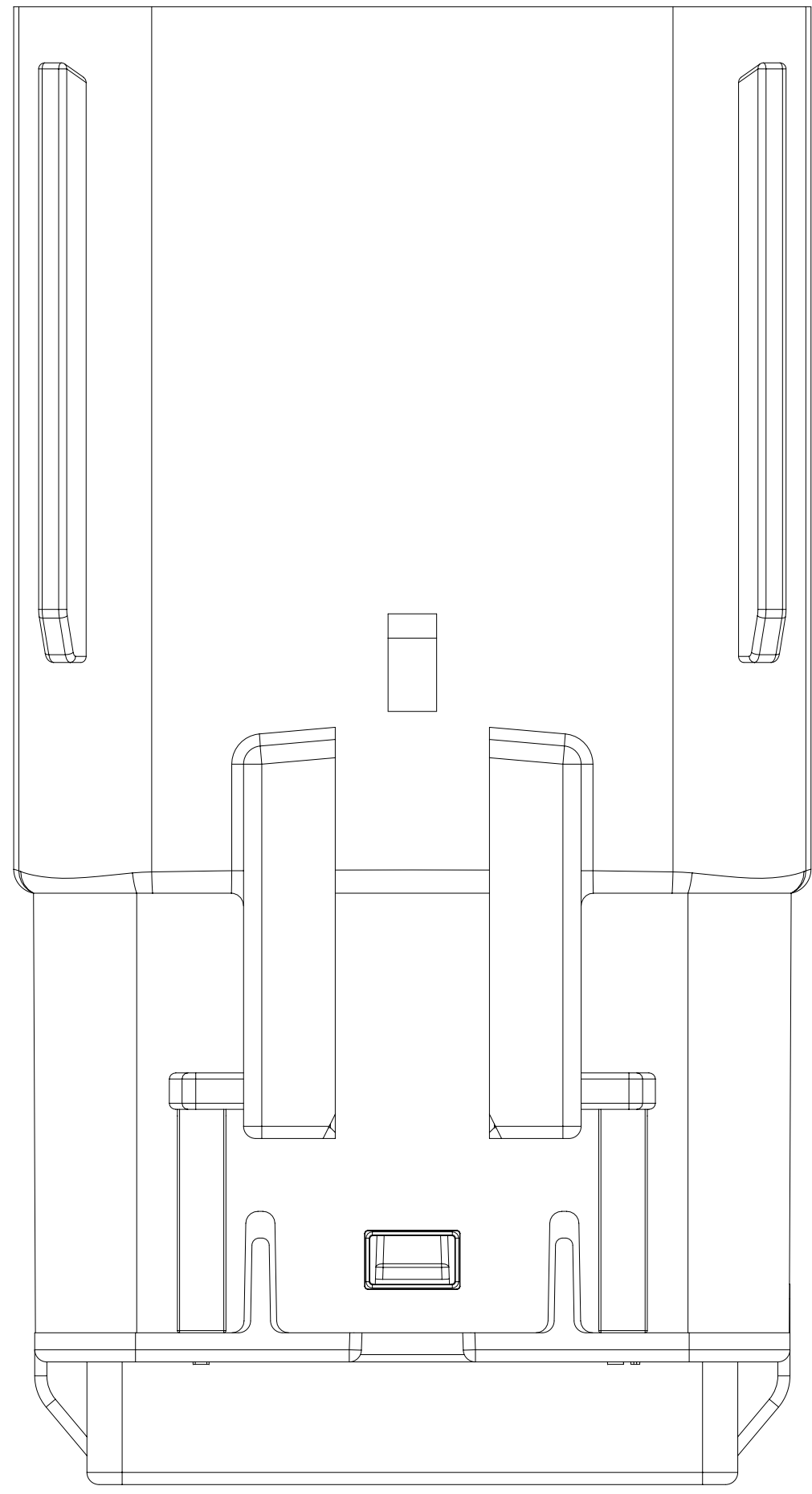
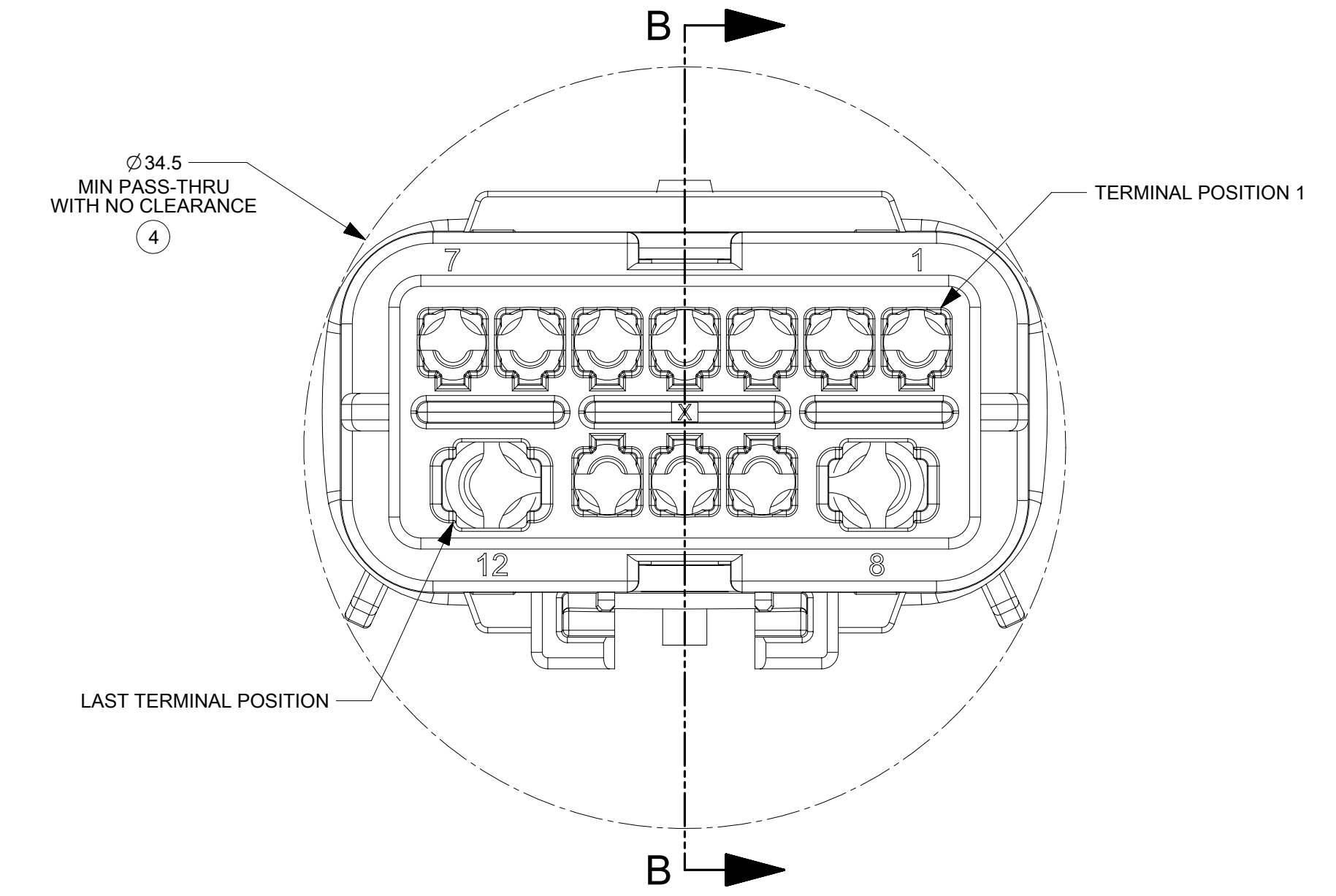
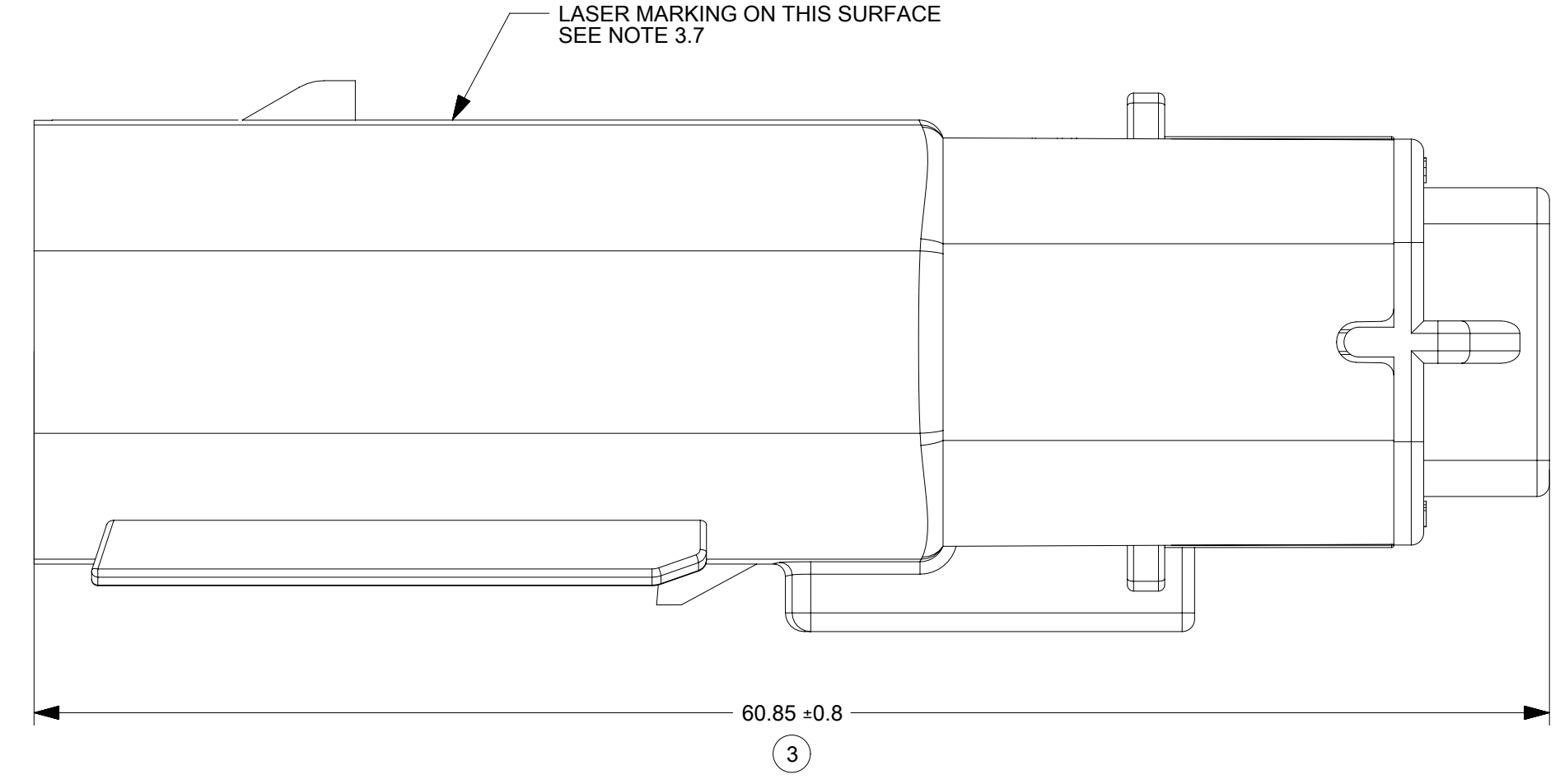
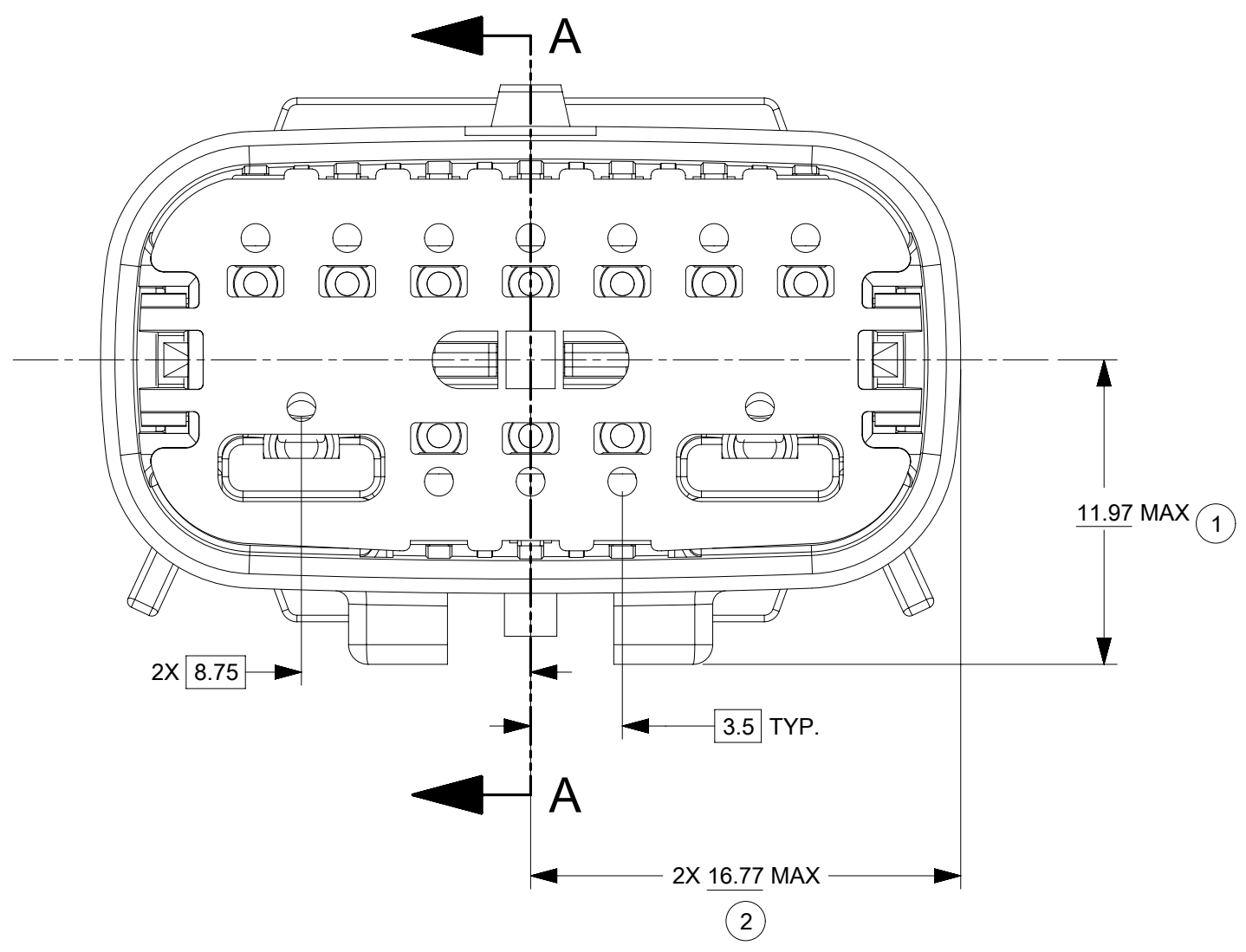


KEY D

FUNCTIONAL SYMBOLS	THIS DRAWING CONTAINS INFORMATION THAT IS PROPRIETARY TO MOLEX ELECTRONIC TECHNOLOGIES, LLC AND SHOULD NOT BE USED WITHOUT WRITTEN PERMISSION		CURRENT REV DESC: SEE REVISION TABLE		<b>molex</b>	
	DIMENSION UNITS	SCALE				
$\nabla_A = 0$	mm	3:1			MX150 HYBRID MAT SEAL BLD CONN ASM SALES	
$\nabla_C = 0$	GENERAL TOLERANCES (UNLESS SPECIFIED)					
$\nabla_D = 0$	ANGULAR TOL ± °				PRODUCT CUSTOMER DRAWING	
DIVISIONAL SYMBOLS	4 PLACES	±				
	3 PLACES	±			DOCUMENT NUMBER	
	2 PLACES	±				
	1 PLACE	±			DOC TYPE	
	0 PLACES	±				
	DRAFT WHERE APPLICABLE MUST REMAIN WITHIN DIMENSIONS				DOC PART	
	THIRD ANGLE PROJECTION					
					REVISION	
					MATERIAL NUMBER	
					SHEET NUMBER	

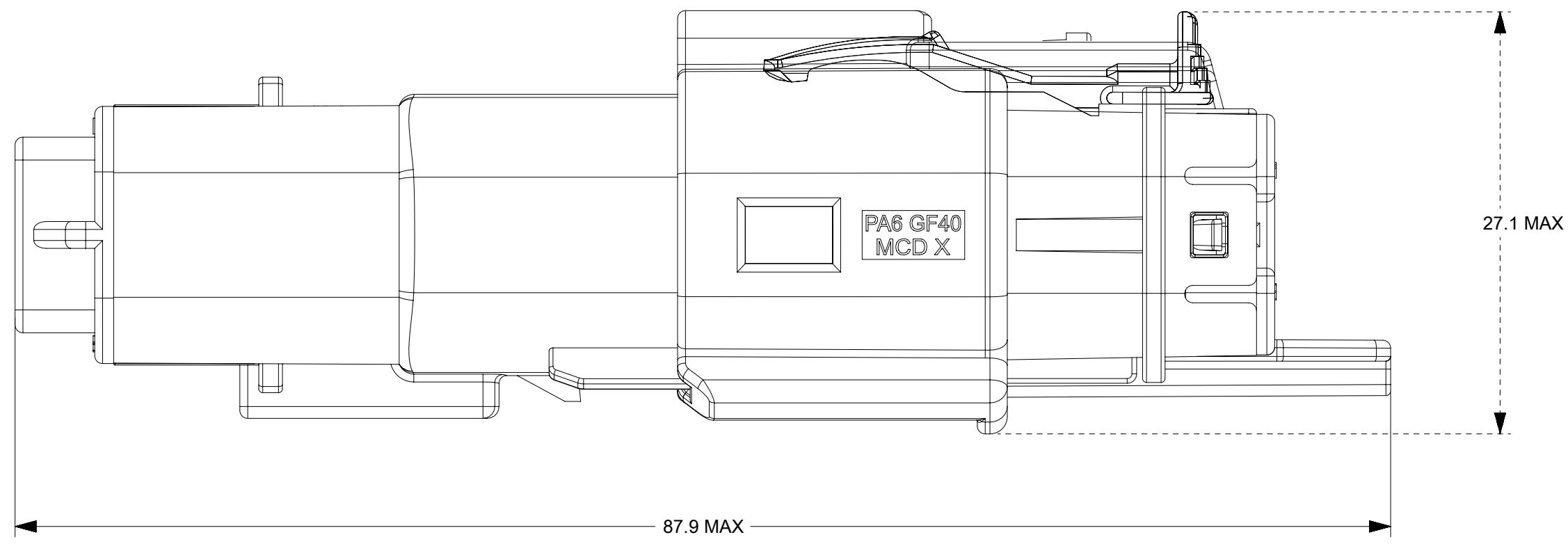
SEE NOTES

**SHEET DESCRIPTION**  
**BLADE CONNECTOR ASSEMBLY**

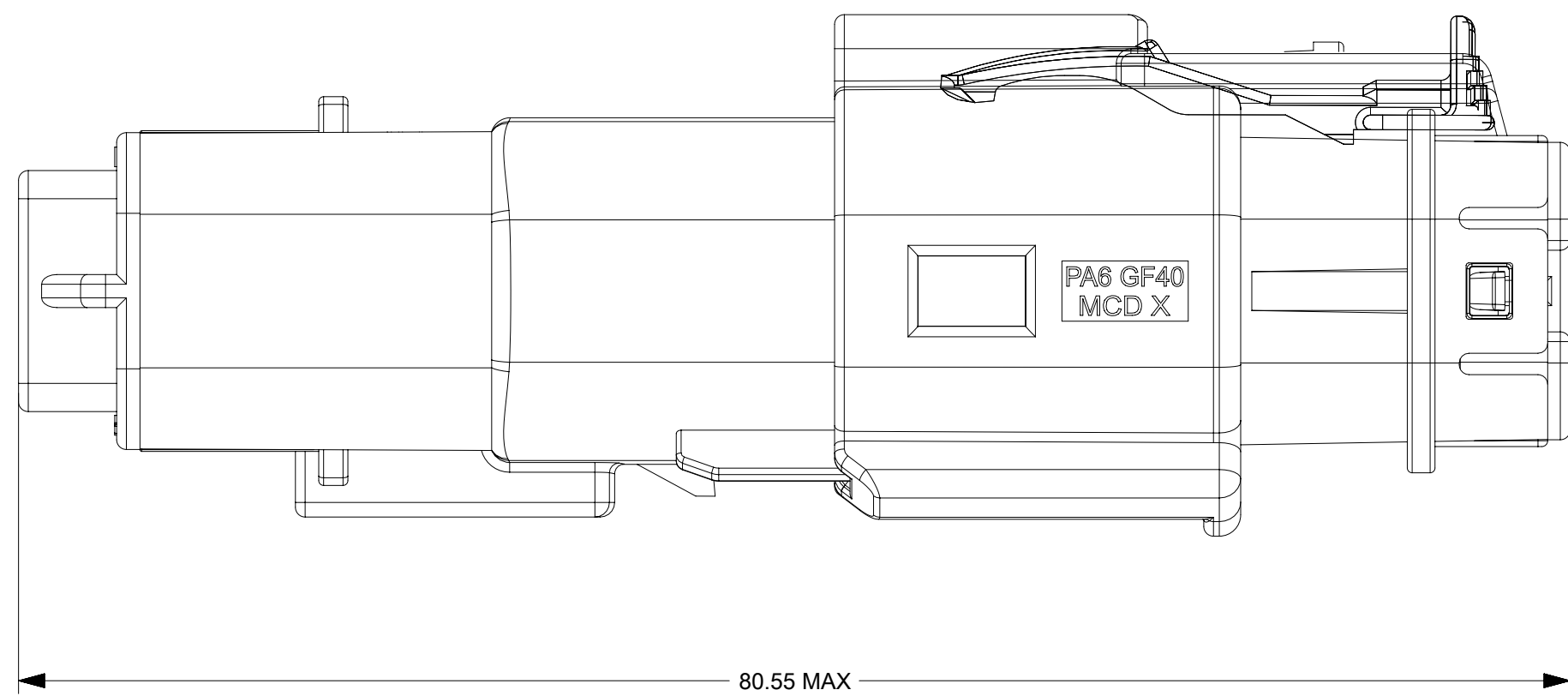


<b>FUNCTIONAL SYMBOLS</b> FA = 0 EC = 0 EP = 0 <b>DIVISIONAL SYMBOLS</b> SEE NOTES	THIS DRAWING CONTAINS INFORMATION THAT IS PROPRIETARY TO MOLEX ELECTRONIC TECHNOLOGIES, LLC AND SHOULD NOT BE USED WITHOUT WRITTEN PERMISSION		CURRENT REV DESC: SEE REVISION TABLE	
	DIMENSION UNITS: <b>mm</b> SCALE: <b>4:1</b> GENERAL TOLERANCES (UNLESS SPECIFIED) ANGULAR TOL ± ° 4 PLACES ± 3 PLACES ± 2 PLACES ± 1 PLACE ± 0 PLACES ±	EC NO: 663365 DRWN: SCV 2021/05/10 CHK'D: GGA 2021/05/11 APPR: GGA 2021/05/11 INITIAL REVISION: DRWN: ADING03 2017/03/28 APPR: JDENG02 2017/04/07		
DRAFT WHERE APPLICABLE MUST REMAIN WITHIN DIMENSIONS		THIRD ANGLE PROJECTION	DRAWING: <b>D-SIZE</b>	SERIES: <b>160112</b>
DOCUMENT STATUS: P1 RELEASE DATE: 2021/05/11 11:29:35		DOCUMENT NUMBER: <b>1601120000</b>	DOC TYPE: PSD DOC PART: 000 REVISION: D4	MATERIAL NUMBER: CHARTED CUSTOMER:
SHEET NUMBER: 4 OF 6				

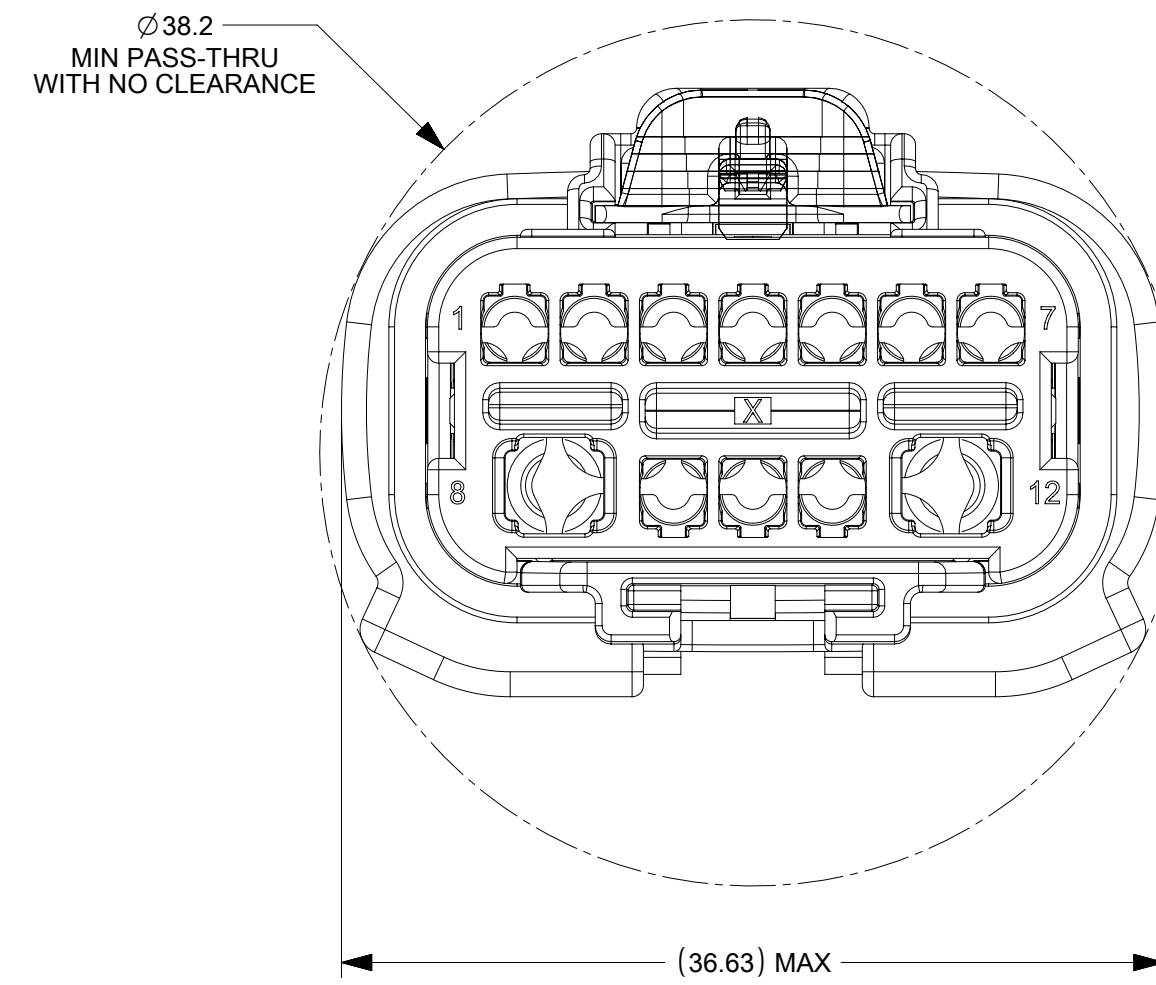
SHEET DESCRIPTION  
SYSTEM PACKAGING



WITH EXTENDED CLIPSLOT RECEPTACLE HOUSING



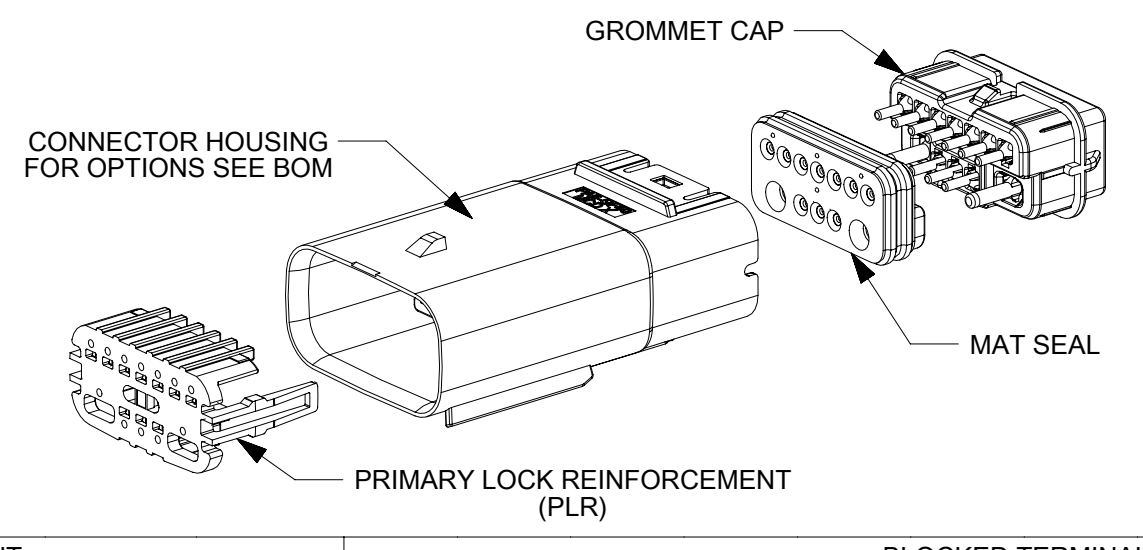
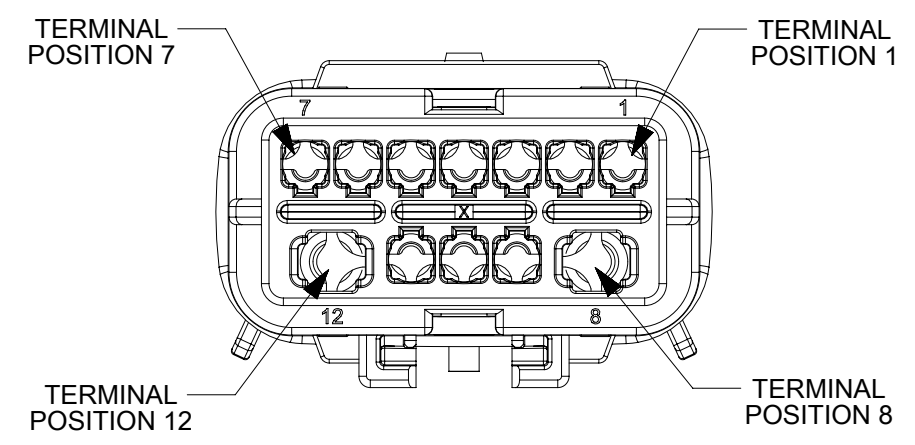
NON CLIPSLOT RECEPTACLE HOUSING



FUNCTIONAL SYMBOLS												THIS DRAWING CONTAINS INFORMATION THAT IS PROPRIETARY TO MOLEX ELECTRONIC TECHNOLOGIES, LLC AND SHOULD NOT BE USED WITHOUT WRITTEN PERMISSION											
FA = 0		mm		SCALE 3:1		CURRENT REV DESC: SEE REVISION TABLE																	
FC = 0		GENERAL TOLERANCES (UNLESS SPECIFIED)						EC NO: 663365															
FD = 0		ANGULAR TOL ± °						DRWN: SCV 2021/05/10															
DIVISIONAL SYMBOLS		4 PLACES ±		INITIAL REVISION:						DOCUMENT NUMBER		DOC TYPE		DOC PART		REVISION							
		3 PLACES ±		DRWN: ADING03 2017/03/28						1601120000		PSD		000		D4							
		2 PLACES ±		APPR: JDENG02 2017/04/07						MATERIAL NUMBER		CUSTOMER				SHEET NUMBER							
		1 PLACE ±		DRAFT WHERE APPLICABLE MUST REMAIN WITHIN DIMENSIONS						THIRD ANGLE PROJECTION		DRAWING D-SIZE		SERIES 160112		CHARTED							
		0 PLACES ±														5 OF 6							

SEE NOTES

**SHEET DESCRIPTION**  
12W HYBRID CONNECTOR BOM



ABBREVIATION	DESCRIPTION	COLOR	MATERIAL
A-BLK	HOUSING KEYING OPTION A	BLACK	PA6 GF40
B-LG	HOUSING KEYING OPTION B	LIGHT GRAY	PA6 GF40
C-DG	HOUSING KEYING OPTION C	DARK GRAY	PA6 GF40
D-SG	HOUSING KEYING OPTION D	STONE GRAY	PA6 GF40
A-Y	HOUSING KEYING OPTION A	YELLOW	PA6 GF40
GCP	GROMMET CAP (PLUGGED)	BLACK	PA6 GF40
PLR	PLR	NATURAL	PA6 GF40
M	MAT SEAL 2.8/1.5	RUST RED	INHERENTLY LUBRICATED SILICONE

ASSEMBLY DESCRIPTION	ASSEMBLY PART NUMBER*	COMPONENT					BLOCKED TERMINALS												STATUS	COMMENTS	OPTIONAL ATTACHMENTS SOLD SEPERATELY	
		THE PRESENCE OF AN ABBREVIATION INDICATES THE PRESENCE OF THAT COMPONENT.					CAVITY WITH A NUMBER INDICATES BLOCKED TERMINAL POSITION CAVITY WITHOUT A NUMBER INDICATES OPEN TERMINAL POSITION														BACKSHELL WITH RIBS	BACKSHELL WITHOUT RIBS
		HOUSING KEY/COLOR	GROMMET CAP	PLR	MAT SEAL	1	2	3	4	5	6	7	8	9	10	11	12					
KEY A, BLACK	160112-6001	A-BLK	GCP	PLR	M														SALEABLE			
KEY B, LIGHT GRAY	160112-6002	B-LG	GCP	PLR	M														SALEABLE			
KEY C, DARK GRAY	160112-6003	C-DG	GCP	PLR	M														SALEABLE			
KEY D, STONE GRAY	160112-6004	D-SG	GCP	PLR	M														SALEABLE			
KEY A, YELLOW	160112-6005	A-Y	GCP	PLR	M														OK TO TOOL			
KEY A, BLACK	160112-6006	A-BLK	GCP	PLR	M			3	4	5	6	7		9	10	11			SALEABLE			
KEY A, BLACK	160112-6007	A-BLK	GCP	PLR	M	1			4	5	6	7	8						SALEABLE			
KEY A, BLACK	160112-6008	A-BLK	GCP	PLR	M	1	2	3	4	5			8		10				SALEABLE			
KEY A, BLACK	160112-6009	A-BLK	GCP	PLR	M	1			4	5			8						SALEABLE			
KEY A, BLACK	160112-6010	A-BLK	GCP	PLR	M	1	2	3							10				SALEABLE			
KEY A, BLACK	160112-6011	A-BLK	GCP	PLR	M	1													SALEABLE			
KEY A, BLACK	160112-6012	A-BLK	GCP	PLR	M		2	3	4	5	6	7	8		10				SALEABLE			
KEY A, BLACK	160112-6013	A-BLK	GCP	PLR	M				4	5	6	7	8						SALEABLE			
KEY A, BLACK	160112-6014	A-BLK	GCP	PLR	M		2	3	4	5			8		10				SALEABLE			
KEY A, BLACK	160112-6015	A-BLK	GCP	PLR	M				4	5			8						SALEABLE			
KEY A, BLACK	160112-6016	A-BLK	GCP	PLR	M		2	3						10					SALEABLE			
KEY A, BLACK	160112-6017	A-BLK	GCP	PLR	M							7	8	9	10	11	12		SALEABLE			
KEY A, BLACK	160112-6018	A-BLK	GCP	PLR	M								8		10	11	12		SALEABLE			
KEY A, BLACK	160112-6019	A-BLK	GCP	PLR	M	1	2	3	4	5	6	7	9			12			SALEABLE			
KEY A, BLACK	160112-6020	A-BLK	GCP	PLR	M							7	9				12		SALEABLE			
KEY A, BLACK	160112-6021	A-BLK	GCP	PLR	M											12			SALEABLE			
KEY A, BLACK	160112-6022	A-BLK	GCP	PLR	M	1	2	3	4	5	6	7	8		10				SALEABLE			
KEY A, BLACK	160112-6023	A-BLK	GCP	PLR	M			3						9	10	11			SALEABLE			
KEY A, BLACK	160112-6024	A-BLK	GCP	PLR	M							7		9	10				SALEABLE			
KEY A, BLACK	160112-6025	A-BLK	GCP	PLR	M				4	5	6	7		9	10				SALEABLE			
KEY A, BLACK	160112-6026	A-BLK	GCP	PLR	M			3	4	5	6	7		9	10	11			SALEABLE			
KEY A, BLACK	160112-6027	A-BLK	GCP	PLR	M	1	2	3					7	8	9	10	11	12	SALEABLE			
KEY A, BLACK	160112-6028	A-BLK	GCP	PLR	M	1	2						7	8	9	10		12	SALEABLE			
KEY A, BLACK	160112-6029	A-BLK	GCP	PLR	M	1	2		4	5	6	7	8	9	10		12		SALEABLE			
KEY A, BLACK	160112-6030	A-BLK	GCP	PLR	M	1	2	3					7						SALEABLE			
KEY A, BLACK	160112-6031	A-BLK	GCP	PLR	M	1		3					7			11			SALEABLE			
KEY A, BLACK	160112-6032	A-BLK	GCP	PLR	M	1		3					7						SALEABLE			
KEY A, BLACK	160112-6033	A-BLK	GCP	PLR	M	1			4	5									SALEABLE			
KEY A, BLACK	160112-6034	A-BLK	GCP	PLR	M		2		4	5	6								SALEABLE			
KEY A, BLACK	160112-6035	A-BLK	GCP	PLR	M	1	2	3	4	5	6	7							SALEABLE			
KEY A, BLACK	160112-6036	A-BLK	GCP	PLR	M	1	2	3	4	5	6	7				11			SALEABLE			
KEY A, BLACK	160112-6037	A-BLK	GCP	PLR	M				4	5	6						11		SALEABLE			
KEY A, BLACK	160112-6038	A-BLK	GCP	PLR	M				4	5	6								SALEABLE			
KEY A, BLACK	160112-6039	A-BLK	GCP	PLR	M	1	2	3					7			11			SALEABLE			
KEY A, BLACK	160112-6040	A-BLK	GCP	PLR	M	1		3	4	5	6	7							SALEABLE			
KEY A, BLACK	160112-6041	A-BLK	GCP	PLR	M								7				12		SALEABLE			
KEY A, BLACK	160112-6042	A-BLK	GCP	PLR	M									9	10				SALEABLE			
KEY A, BLACK	160112-6043	A-BLK	GCP	PLR	M									8				12	SALEABLE			
KEY A, BLACK	160112-6044	A-BLK	GCP	PLR	M									8					SALEABLE			

D4

<b>FUNCTIONAL SYMBOLS</b> FA = 0 FC = 0 FP = 0 <b>DIVISIONAL SYMBOLS</b>	THIS DRAWING CONTAINS INFORMATION THAT IS PROPRIETARY TO MOLEX ELECTRONIC TECHNOLOGIES, LLC AND SHOULD NOT BE USED WITHOUT WRITTEN PERMISSION DIMENSION UNITS: <b>mm</b> SCALE: <b>1:1</b> CURRENT REV DESC: SEE REVISION TABLE	
	GENERAL TOLERANCES (UNLESS SPECIFIED) ANGULAR TOL: ± ° 4 PLACES ± 3 PLACES ± 2 PLACES ± 1 PLACE ± 0 PLACES ±	
DRAFT WHERE APPLICABLE MUST REMAIN WITHIN DIMENSIONS THIRD ANGLE PROJECTION		PRODUCT CUSTOMER DRAWING DOCUMENT NUMBER: <b>1601120000</b> DOC TYPE: PSD DOC PART: 000 REVISION: <b>D4</b>
D-SIZE 160112		MATERIAL NUMBER: CHARTED CUSTOMER: 6 OF 6