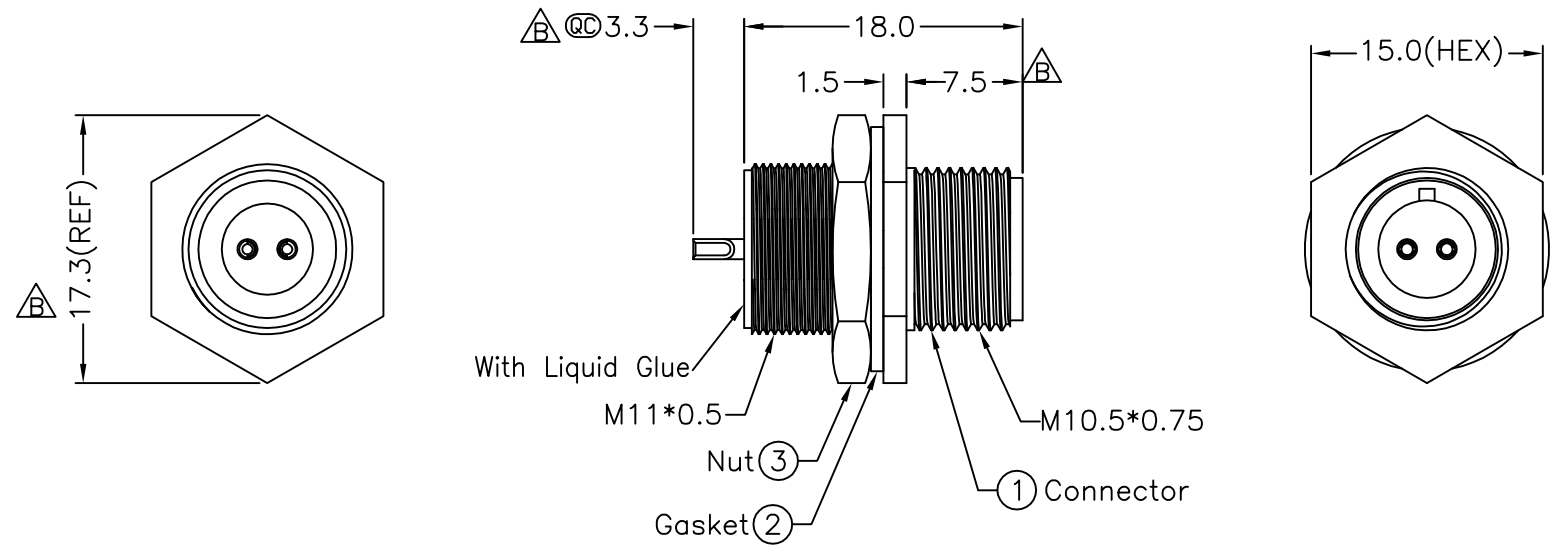
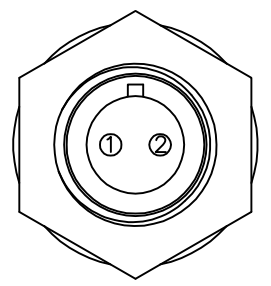


| | | | |
|--------|--------------------|-----------------|---------------------------------|
| 5 | 6 | 7 | 8 |
| REV. B | ECN NO. LE3-910080 | DATE 2009/01/16 | SIGN Vicky |
| | | | DESCRIPTION Update the drawing. |

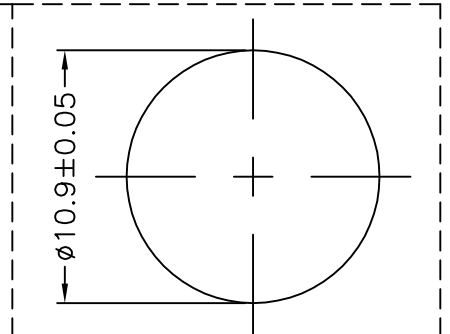
THIS DOCUMENT IS SUBJECT TO CHANGE WITHOUT NOTICE. IT IS CONFIDENTIAL AND A PROPERTY OF Amphenol LTW. DISCLOSURE TO THIRD PARTY HAS TO BE AUTHORIZED BY Amphenol LTW.



ALTW
DCC. DEPT.
CONFIDENTIAL
2009.01.20
ISSUED



Pin Assignments
Front View



Recommended Panel Cut-Out

ALTW
CONFIDENTIAL
2009.01.16
R&D DEPT.

Notes:

- * @C Important Dimension.
- * Waterproof Rate:IP67.
- * Connector:Black,Nylon+GF.
- * Female Pin:Copper Alloy,Gold Plated.
- * Gasket:Black,EPDM.
- * Nut:Copper Alloy,Nickel Plated.
- * Shield:Copper Alloy,Nickel Plated.
- * For Panel Thickness Max:6.0mm.
- * Nut Torque:4~6 Kgf.cm

| | | | | | | | |
|---|---------------|--|--------------------------------------|-----------------------------|------------------------------|--------------------|--------------------|
| UNIT:mm | | TITLE M10.5 Conn Panel Screw 2P M Conn F Pin | Amphenol LTW 安費諾亮泰企業股份有限公司 | | ITEM NO 105-02PMFS-SH7001 | DRAWN BY Vicky | DATE 2009/01/16 |
| TOLERANCE .X ±0.25 .XX ±0.1 .XXX ±0.05 ANGLES ±1' | SCALE Free | SHEET 1 OF 1 | | DWG NO 105-02PMFS-SH7001 | CHECKED BY Ivan | DATE 2009/01/16 | |
| REV. B | SIZE A4 | @C :Inspection Item | | CUSTOMER ALTW | APPROVED BY Luke | DATE 2009/01/16 | |