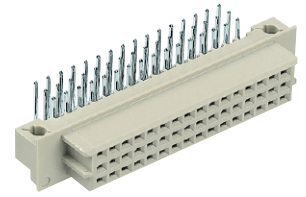


Number of contacts

48, 32

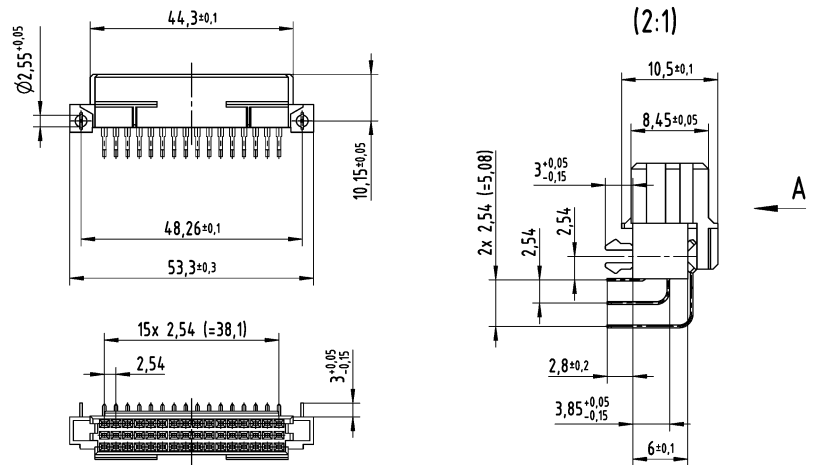


Female connectors

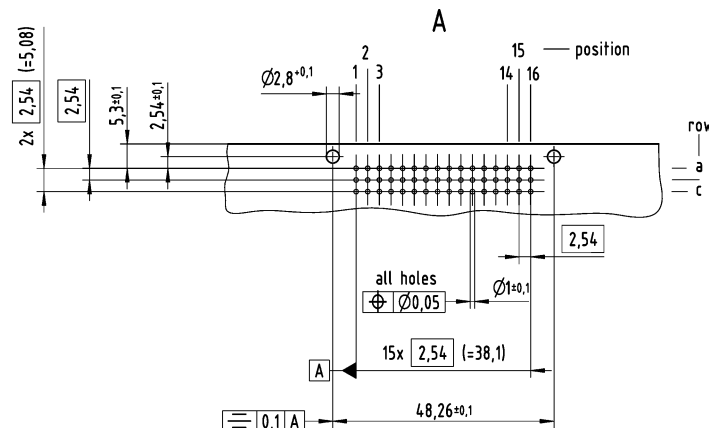
Identification	No. of contacts	Contact arrangement	Performance levels according to IEC 60603-2. Explanation chapter 00		
			3	2	1
Female connector with angled solder pins THR THR on a reel	48		Performance level 3 on request	09 28 248 6801 09 28 448 6801 ^{b)}	Performance level 1 on request
	48			09 28 248 6804 ^{d)} 09 28 248 6804 791 ^{d)}	
	32			09 28 232 6801 09 28 432 6801 ^{b)}	

DIN Signal up to 2 A

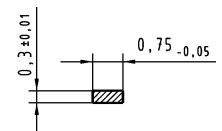
Dimensions



Board drillings
Mounting side



Cross section of solder terminations



Cross area (A) of contacts row a, b, c:
A = 0.20 - 0.23 mm²

Dimensions in mm

Other contact arrangements as well with lagging/leading pins on request

^{b)} Connectors with snap-in clips see chapter 00

^{d)} CTI > 400