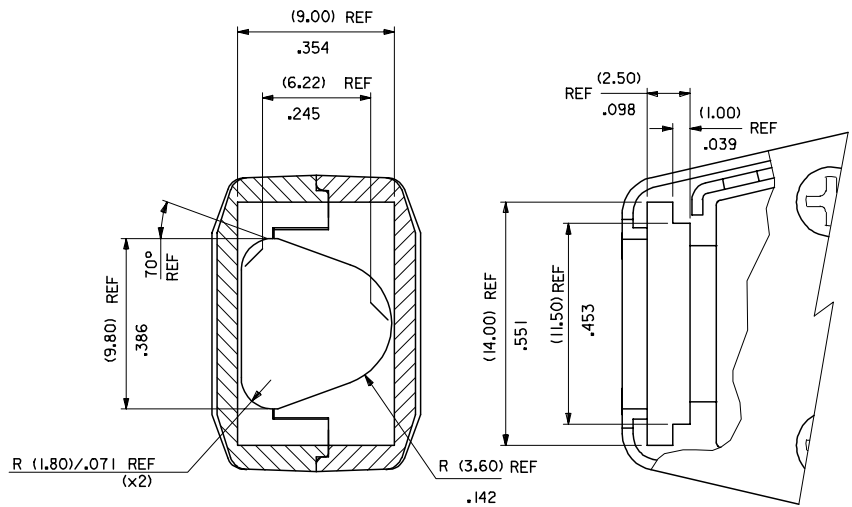
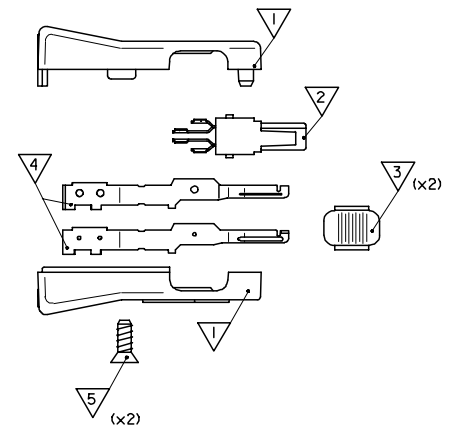


13 12 11 10 9 8 7 6 5 4 3 2 1

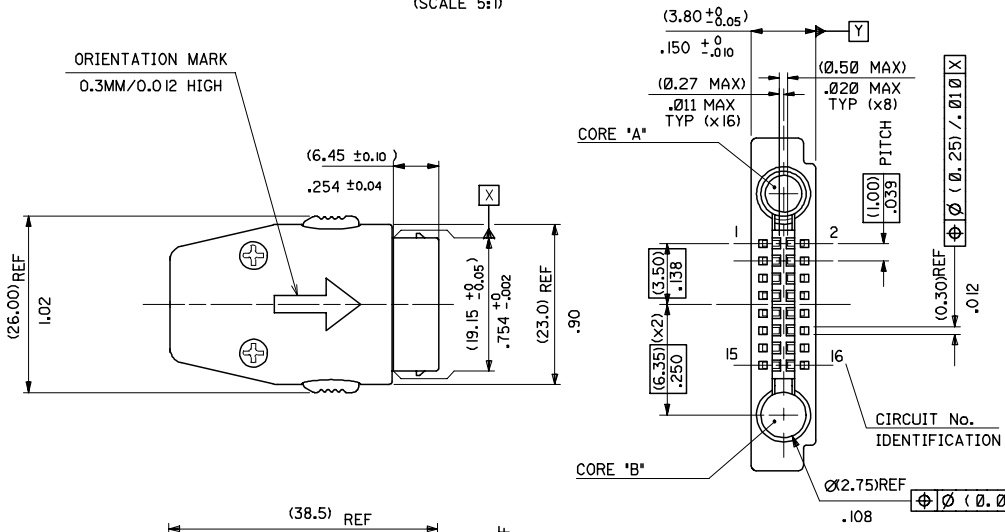


NO.	DESCRIPTION
1	UPPER SHELL LOWER SHELL
2	16 CIRCUIT I/O MOBILE PHONE PLUG CONNECTOR
3	BUTTONS
4	METAL LOCKING LATCHES
5	SCREWS : SELF TAPPING

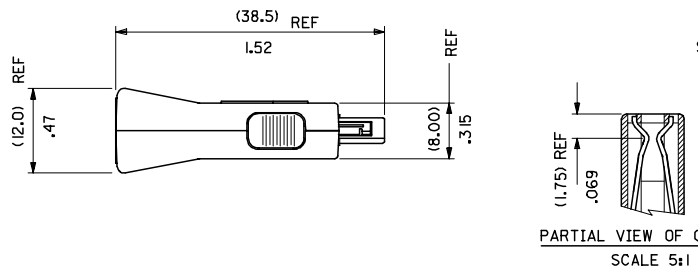
KIT No.	COMPONENTS	RF CORING CONFIG	
		CORE 'A'	CORE 'B'
90813-0001	1, 2, 3, 4, 5	VOID	RF
90813-0002	1, 2, 3, 4, 5	RF	VOID
90813-0003	1, 2, 3, 4, 5	RF	RF
90813-0004	1, 2, 3, 4, 5	VOID	VOID
90813-0005	3, 4	N/A	N/A



RECESS FOR CABLE STRAIN RELIEF GROMMET
(SCALE 5:1)



- NOTES:**
- MATERIALS:
SHELLS: 30% GLASS FILLED POLYESTER (UL94V-0, COLOUR: BLACK)
BUTTONS: 30% GLASS FILLED POLYESTER (UL94V-0, COLOUR: BLACK)
LATCHES: STAINLESS STEEL
PLUG HOUSING: POLYAMIDE 46, 45% GLASS FILL UL94 V-0, COLOUR - BLACK
SIGNAL CONTACTS: COPPER ALLOY (0.25mm)/.009uin THICK REF.
PLATING: (0.10um) /.004uin MIN GOLD FLASH, ON (1.0um) /.039uin MIN PALLADIUM NICKEL WITH (1.27um) /.050uin MIN NICKEL UNDERPLATE, (3-5um) /.118-.197uin MIN TIN IN THE SOLDER CUP AREA.
 - MATES WITH SERIES 90811 HANDSET CONNECTOR.
 - SEE PACKAGING SPECIFICATION ES-99039-0002.
 - SEE PRODUCT SPECIFICATION PS-99020-0045.
 - SEE TERMINATION SPECIFICATION ES-99033-0003.
 - FOR RF COAX INSERT, USE MOLEX 90853-0001 SUPPLIED SEPARATELY.



MOD HSG MATERIAL
EC NO: E2007-0847
DRAWN BY: DCARTON
CHKD: FDUCCAN
APPR: EFOLAN
DATE: 2007/04/26
DATE: 2007/04/27
DATE: 2007/05/03

QUALITY SYMBOLS	GENERAL TOLERANCES (UNLESS SPECIFIED)	DIMENSION STYLE	SCALE	DESIGN UNITS	THIRD ANGLE PROJECTION
▽=0	mm INCH	MM ONLY	2:1	METRIC	
▽=0	4 PLACES ± --- ± ---	DRAWN BY DATE			
	3 PLACES ± --- ± ---	DCARTON 2007/03/27			
	2 PLACES ± --- ± ---	CHECKED BY DATE			
	1 PLACE ± --- ± ---	FDUCCAN 2007/03/27			
	ANGULAR ±1/2°	APPROVED BY DATE			
		EFOLAN 2007/03/27			

SYSTEM CONNECTOR PLUG SUB ASSEMBLY

MOLEX INCORPORATED

MATERIAL NO. 908130001
DOCUMENT NO. SDA-90813
SHEET NO. 1 OF 1

DRAFT WHERE APPLICABLE MUST REMAIN WITHIN DIMENSIONS

THIS DRAWING CONTAINS INFORMATION THAT IS PROPRIETARY TO MOLEX INCORPORATED AND SHOULD NOT BE USED WITHOUT WRITTEN PERMISSION

12 11 10 9 8 7 6 5 4 3 2 1