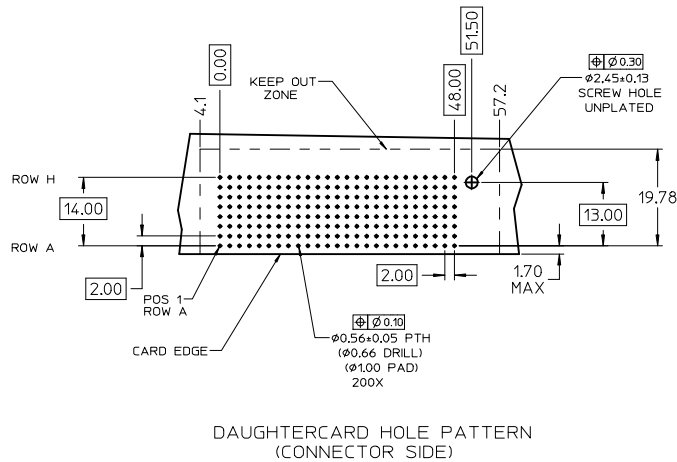
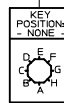
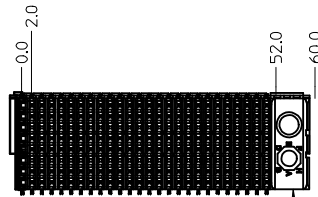
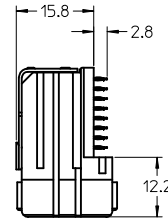
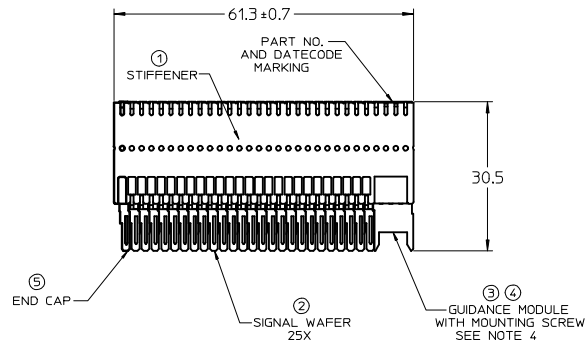


CUSTOMER: ZTE



DAUGHTERCARD HOLE PATTERN (CONNECTOR SIDE)

NOTES:

- MATERIALS: HOUSING - LIQUID CRYSTAL POLYMER (LCP), GLASS-FILLED, UL 94V-0. TERMINALS - HIGH PERFORMANCE COPPER ALLOY. STIFFENER - STAINLESS STEEL.
- FINISH: SELECTIVE GOLD (Au) IN CONTACT AREA. 0.76 micrometers MINIMUM THICKNESS. SELECTIVE MATTE TIN (Sn) ON PCB TAILS. NICKEL (Ni) UNDERPLATE OVERALL.
- PRODUCT CONFORMS TO MOLEX PRODUCT SPECIFICATION PS-74031-999.
- PARTS ARE PACKAGED PER PK-70873-5041. MOUNTING SCREWS WILL BE BAGGED WITH EACH CONNECTOR.
- REFER TO MOLEX DOCUMENT SD-74681-002 FOR ADDITIONAL DETAIL ON THE HSD SIGNAL WAFER.
- REFER TO MOLEX DOCUMENT SD-74037-006 FOR ADDITIONAL DETAIL ON THE HSD GUIDANCE MODULE.
- REFER TO MOLEX DOCUMENT SD-74038-003 FOR ADDITIONAL DETAIL ON THE HSD END CAP.
- PRODUCT CONFORMS TO CLASS B REQUIREMENTS OF MOLEX COSMETIC SPECIFICATION PS-45499-002.

LEAD-FREE
PLATING

ITEM	PART NUMBER	DESCRIPTION	QTY
1	74046-0061	STIFFENER	1
2	74681-1001	HSD8 WAFER, LF	25
3	74037-0008	POLARIZING/GUIDE MODULE	1
4	73726-0000	GUIDE MODULE MNTG SCREW	1
5	74038-1001	END CAP	1

REV WAFER GEOMETRY EC NO: LCP2013-1531 DRAWN BY: CHYKIMOLFE CHECKED BY: APPR:SMILLER DATE: 2012/10/18 DATE: 2012/12/05 DATE: 2012/12/07	QUALITY SYMBOLS	GENERAL TOLERANCES (UNLESS SPECIFIED)	DIMENSION STYLE	SCALE	DESIGN UNITS	THIRD ANGLE PROJECTION
	▽=0	mm INCH	MM ONLY	2:1	METRIC	
	▽=0	4 PLACES ±--- ±---	CHECKED BY: CTHOMAS	DATE: 04/03/23	VHDM-HSD 8 ROW, LF DAUGHTERCARD SALES DRAWING 	
	▽=0	3 PLACES ±--- ±---	CHECKED BY: JBLINGHAM	DATE: 04/03/25		
	ANGULAR ±1/2°	DRAFT WHERE APPLICABLE MUST REMAIN WITHIN DIMENSIONS	MATERIAL NO.	DOCUMENT NO.	SHEET NO.	
			74680-0280	SD-74680-280	1 OF 1	