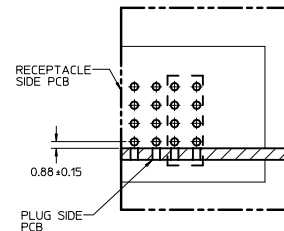
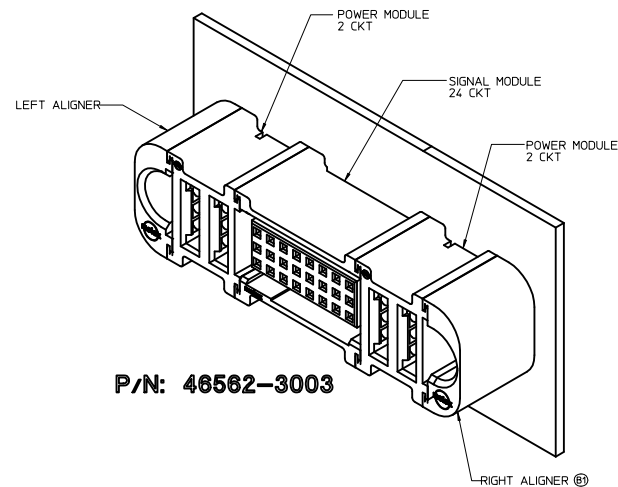
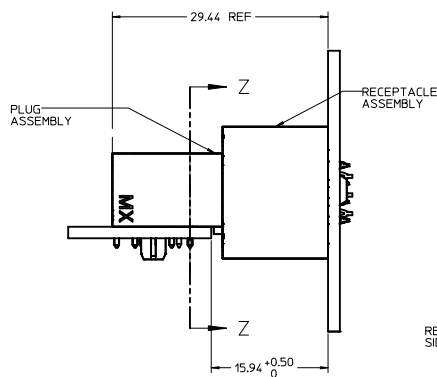


RECOMMENDED PCB LAYOUT AND KEEP-OUT ZONE

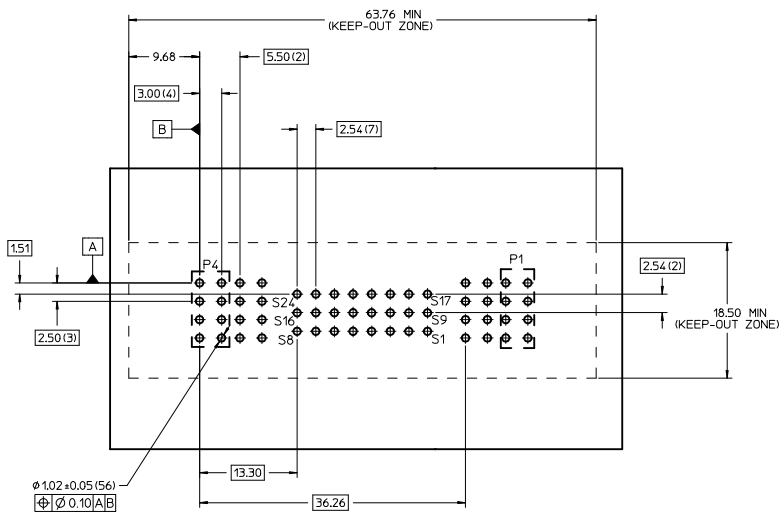
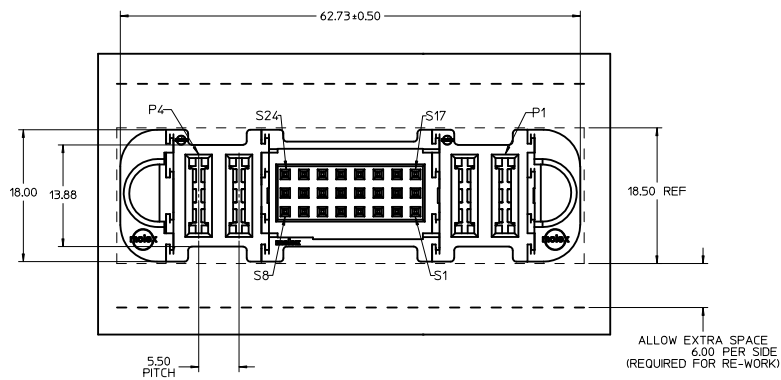
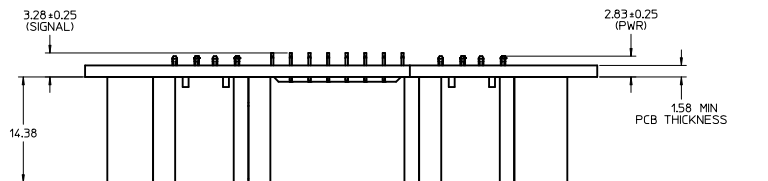


SECTION Z-Z

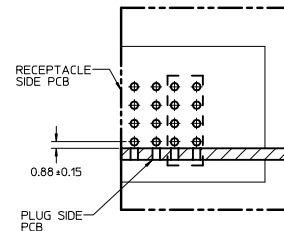
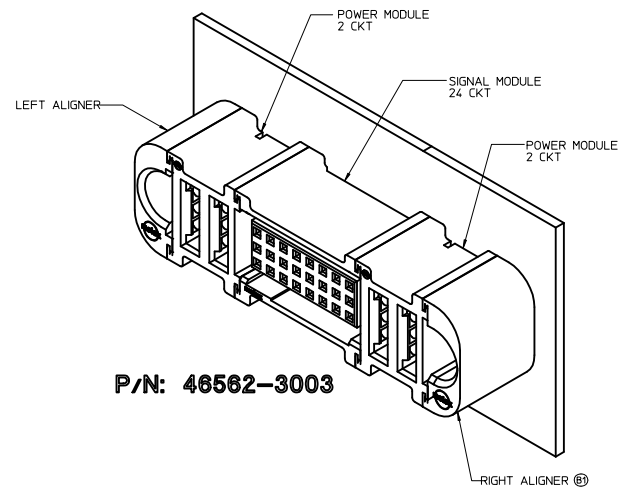
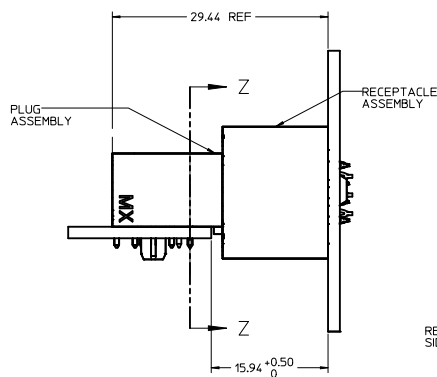
NOTES:

- MATERIAL:
-HOUSINGS: LCP UL94 V-0, COLOR: BLACK.
-TERMINALS: COPPER ALLOY.
-PLATING: 0.000127 NICKEL OVERALL WITH 0.00254 SELECTIVE TIN ON COMPLIANT PINS.
AND 0.000762 SELECTIVE GOLD ON CONTACT AREA.
- ASSEMBLIES PACKED IN TRAYS, SPQ: TBD.
- PCB BOARD REQUIRES THRU HOLES, REFER TO PS-46436-100 FOR DETAILS.
- PRODUCT SPEC: PS-46436-100.
- APPLICATION SPEC: AS-46436-100.
- PRODUCT TO MEET RoHS REQUIREMENTS.
- ASSEMBLY MATES WITH PLUG ASSEMBLY. P/N 46437-3003.

UPDATE DESCRIPTION EC NO: UCP2010-1783 DRAWN/KARAD/MS 2010/01/22 CHK/DLNG 2010/02/08 APPR/APATEL 2010/02/10 REV: B2	QUALITY SYMBOLS DESCRIPTION	GENERAL TOLERANCES (UNLESS SPECIFIED) mm INCH		DIMENSION STYLE MM ONLY	SCALE 3:1	DESIGN UNITS METRIC	THIRD ANGLE PROJECTION
		4 PLACES ±--- ±--- 3 PLACES ±--- ±--- 2 PLACES ±0.25 ±--- 1 PLACE ±0.25 ±--- ANGULAR ±1/2°	DRAWN BY DATE KJKOH 2009/03/11 CHECKED BY DATE LNG 2009/05/06 APPROVED BY DATE SHONG 2009/05/06	TITLE VERT RECP ASSY 2P-24S-2P, PRESS-FIT TEN60 POWER FAMILY		MATERIAL NO. 46562-3003	
DRAFT WHERE APPLICABLE MUST REMAIN WITHIN DIMENSIONS		SIZE D		THIS DRAWING CONTAINS INFORMATION THAT IS PROPRIETARY TO MOLEX INCORPORATED AND SHOULD NOT BE USED WITHOUT WRITTEN PERMISSION			



RECOMMENDED PCB LAYOUT AND KEEP-OUT ZONE



SECTION Z-Z

NOTES:

- MATERIAL:
-HOUSINGS: LCP UL94 V-0, COLOR: BLACK.
-TERMINALS: COPPER ALLOY.
-PLATING: 0.000127 NICKEL OVERALL WITH 0.00254 SELECTIVE TIN ON COMPLIANT PINS.
AND 0.000762 SELECTIVE GOLD ON CONTACT AREA.
- ASSEMBLIES PACKED IN TRAYS, SPQ: TBD.
- PCB BOARD REQUIRES THRU HOLES, REFER TO PS-46436-100 FOR DETAILS.
- PRODUCT SPEC: PS-46436-100.
- APPLICATION SPEC: AS-46436-100.
- PRODUCT TO MEET RoHS REQUIREMENTS.
- ASSEMBLY MATES WITH PLUG ASSEMBLY. P/N 46437-3003.

UPDATE DESCRIPTION EC NO: UCP2010-1783 DRAWN/KARAD/MS 2010/01/22 CHK/DLNG 2010/02/08 APPR/APATEL 2010/02/10 REV B2	QUALITY SYMBOLS DESCRIPTION	GENERAL TOLERANCES (UNLESS SPECIFIED): mm INCH		DIMENSION STYLE MM ONLY	SCALE 3:1	DESIGN UNITS METRIC	THIRD ANGLE PROJECTION
		4 PLACES ±--- ±--- 3 PLACES ±--- ±--- 2 PLACES ±0.25 ±--- 1 PLACE ±0.25 ±--- ANGULAR ±1/2°	DRAWN BY DATE KJKOH 2009/03/11 CHECKED BY DATE LNG 2009/05/06 APPROVED BY DATE SHONG 2009/05/06	TITLE VERT RECP ASSY 2P-24S-2P, PRESS-FIT TEN60 POWER FAMILY		MATERIAL NO. 46562-3003	
DRAFT WHERE APPLICABLE MUST REMAIN WITHIN DIMENSIONS		THIS DRAWING CONTAINS INFORMATION THAT IS PROPRIETARY TO MOLEX INCORPORATED AND SHOULD NOT BE USED WITHOUT WRITTEN PERMISSION					